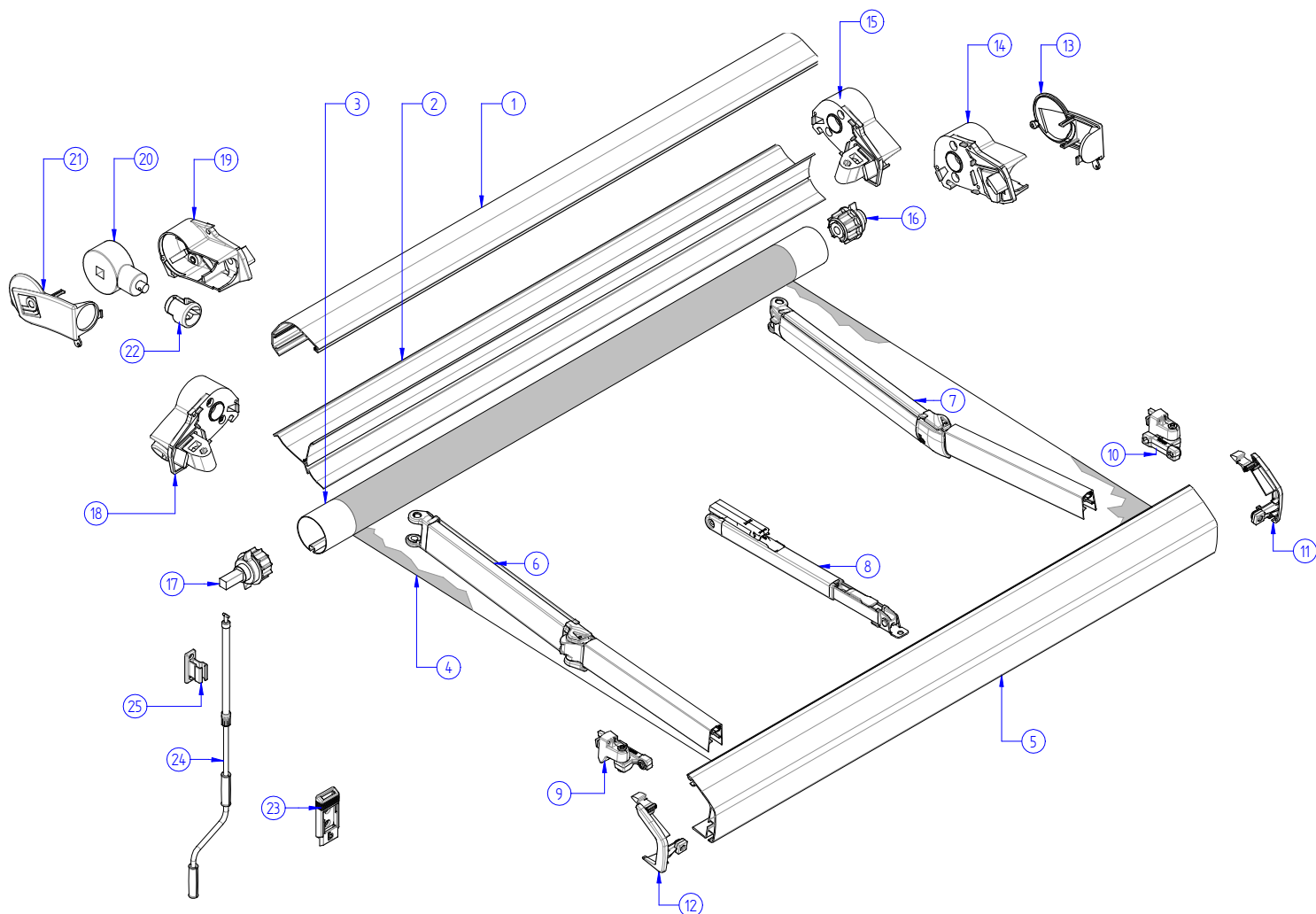




PROSTOR 300 SPARE PARTS



1	5001210- z	COVER PROFILE 6.9M
2	5001209- z	BACK PROFILE 6.9M
3	0300089 - 260 0300089 - 300 0300089 - 325 0300089 - 350 0300089 - 375 0300089 - 400	ROLLER TUBE MANUAL DIA 48 2.6M ROLLER TUBE MANUAL DIA 48 3.0M ROLLER TUBE MANUAL DIA 48 3.25M ROLLER TUBE MANUAL DIA 48 3.5M ROLLER TUBE MANUAL DIA 48 3.75M ROLLER TUBE MANUAL DIA 48 4.0M
4	5400143 - xxx - y 5400144 - xxx - y 5400145 - xxx - y 5400146 - xxx - y 5400147 - xxx - y	JAMAICA ARUBA GREY WAVES BLUE WAVES SOLID WHITE
5	5001211- z	LEADRAIL PROFILE 6.9M
6	5400152 5400159	SPRING ARM 2.50M LEFT SPRING ARM 2.60M LEFT
7	5400153 5400160	SPRING ARM 2.50M RIGHT SPRING ARM 2.60M RIGHT
8	5400016	SUPPORT LEG
9	5400148	LOWER STOP + CON. LEADRAIL LEFT
10	5400149	LOWER STOP + CON. LEADRAIL RIGHT
11	5400157- z	ENDCAP LEADRAIL RIGHT
12	5400156- z	ENDCAP LEADRAIL LEFT
13	0500283- z	ENDPLATE BOX RIGHT
14	5001278- z	ENDCAP BOX RIGHT
15	5400166- z	ASSEMBLED ENDCAP BOX RIGHT

16	0900120	TUBE BUSH D48 WITHOUT SQUARE AXLE
17	0900119	TUBE BUSH D48 WITH SQUARE AXLE
18	5400167- z	ASSEMBLED ENDCAP BOX LEFT
19	5001297- z	ENDCAP BOX LEFT
20	0900086	GEAR
21	0500282- z	ENDPLATE BOX LEFT
22	0200156	COUPLING FUNNEL
23	5400129	MOUNTING BRACKET
24	0900124	FIXED CRANK
25	0900028	CRANK HOLDER 25 MM

xxx : LENGTH
y : CONTROL
- 0 MANUAL
- 1 MOTOR

z : Color
- 0 WHITE
- 1 ANO