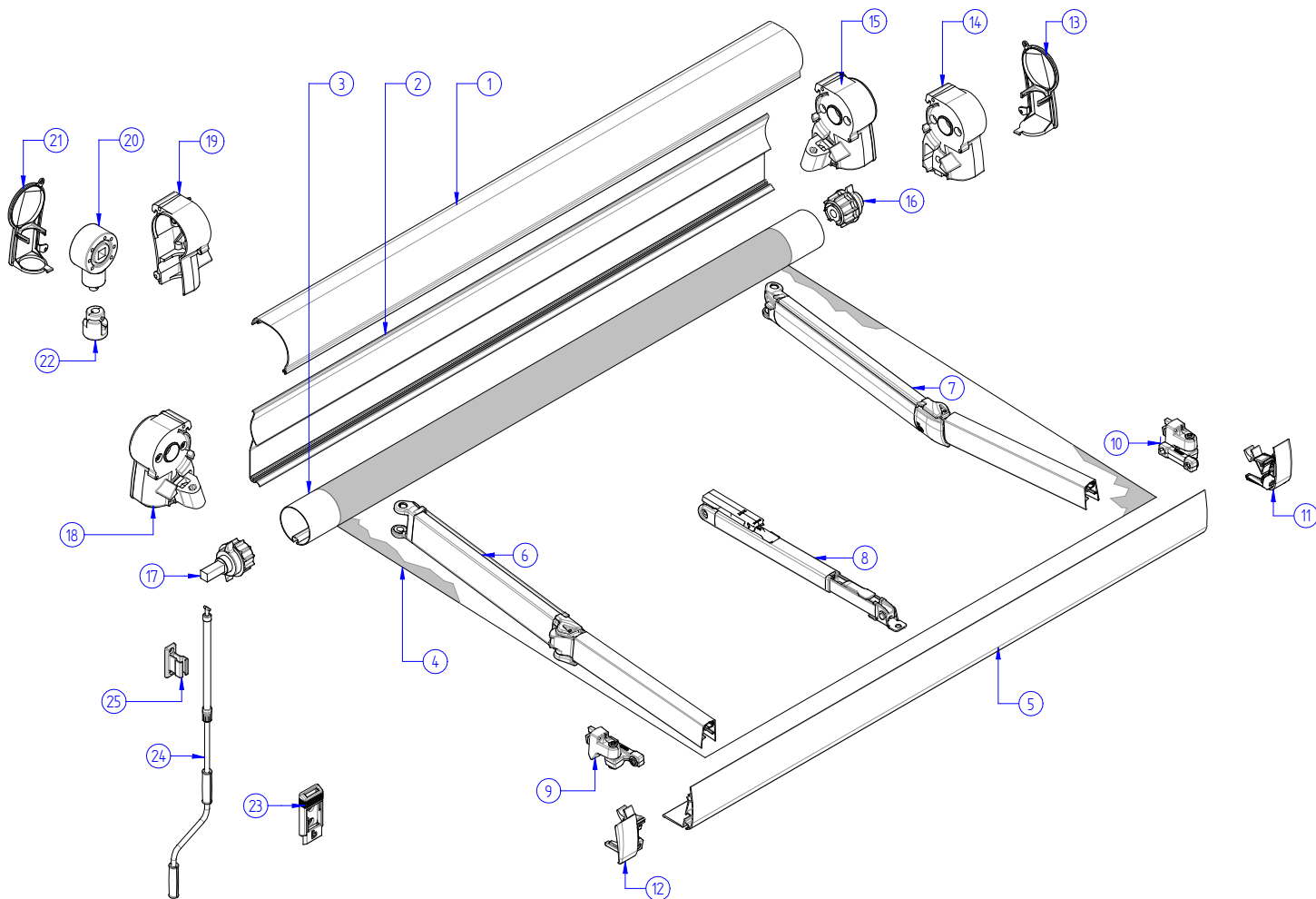




### PROSTOR 400 SPARE PARTS



1	5001040- z	COVER PROFILE 6.5M
2	5001140- z	BACK PROFILE 6.5M
3	0300089 - 260 0300089 - 300 0300089 - 350 0300089 - 400	ROLLER TUBE MANUAL DIA 48 2.6M ROLLER TUBE MANUAL DIA 48 3.0M ROLLER TUBE MANUAL DIA 48 3.5M ROLLER TUBE MANUAL DIA 48 4.0M
4	5400143 - xxx - y 5400144 - xxx - y 5400145 - xxx - y 5400146 - xxx - y	JAMAICA ARUBA GREY WAVES BLUE WAVES
5	5001041- z	LEADRAIL PROFILE 6.5M
6	5400152 5400159	SPRING ARM 2.50M LEFT SPRING ARM 2.60M LEFT
7	5400153 5400160	SPRING ARM 2.50M RIGHT SPRING ARM 2.60M RIGHT
8	5400016	SUPPORT LEG
9	5400148	LOWER STOP + CON. LEADRAIL LEFT
10	5400149	LOWER STOP + CON. LEADRAIL RIGHT
11	5400157- z	ENDCAP LEADRAIL RIGHT
12	5400156- z	ENDCAP LEADRAIL LEFT
13	0500283- z	ENDPLATE BOX RIGHT
14	5001046- z	ENDCAP BOX RIGHT
15	5400155- z	ASSEMBLED ENDCAP BOX RIGHT
16	0900120	TUBE BUSH D48 WITHOUT SQUARE AXLE
17	0900119	TUBE BUSH D48 WITH SQUARE AXLE

18	5400154- z	ASSEMBLED ENDCAP BOX LEFT
19	5001047- z	ENDCAP BOX LEFT
20	0900086	GEAR
21	0500282- z	ENDPLATE BOX LEFT
22	0200156	COUPLING FUNNEL
23	5400129	MOUNTING BRACKET
24	0900124	FIXED CRANK
25	0900028	CRANK HOLDER 25 MM

xxx : LENGTH  
y : CONTROL  
- 0 MANUAL  
- 1 MOTOR

z : Color  
- 0 WHITE  
- 1 ANO