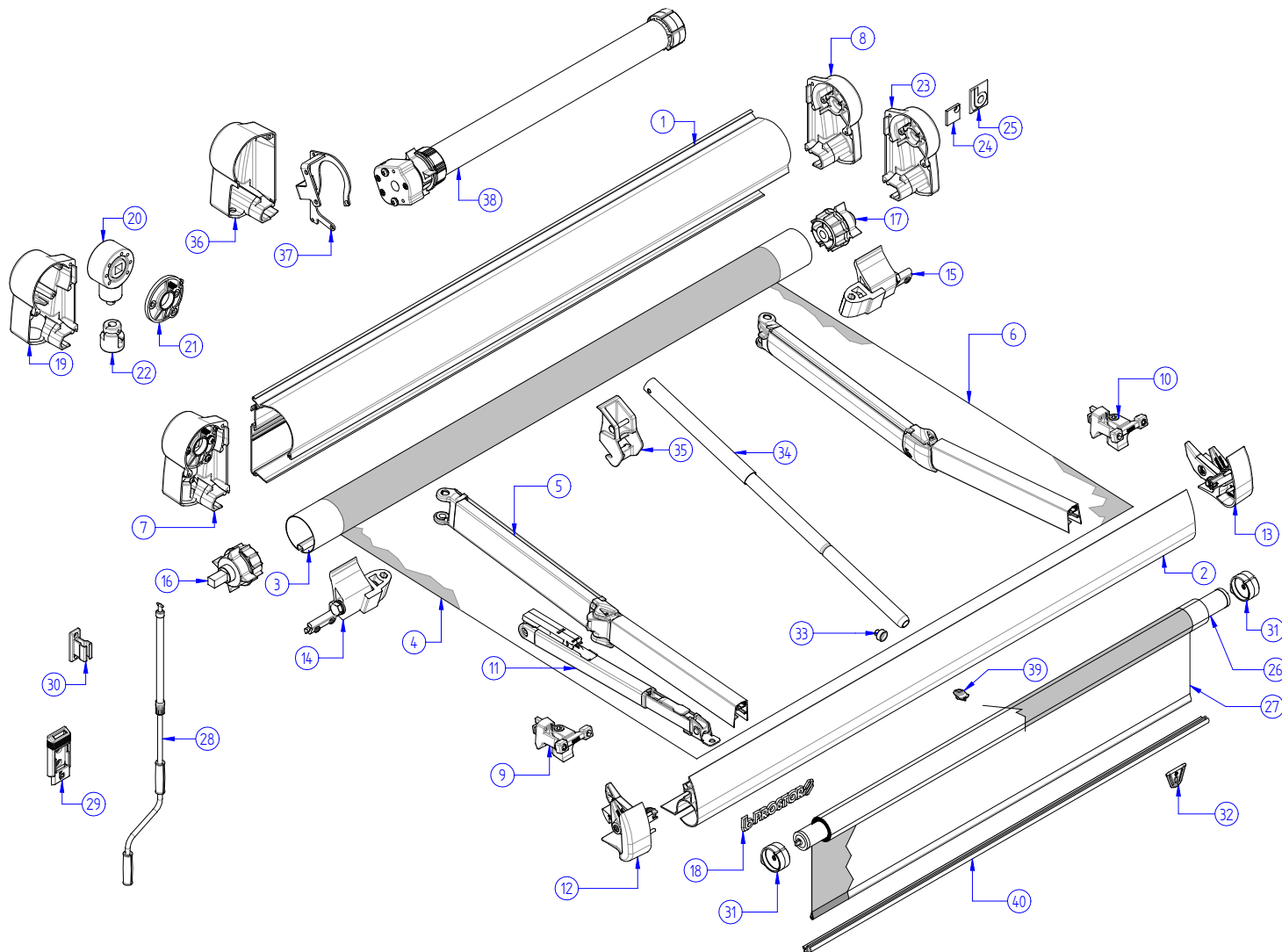




PROSTOR 700 SPARE PARTS



1	5001001 - z 5000788 - z	BACK PROFILE 4.0M BACK PROFILE 7.0M
2	5001326 - z 5001062 - z	LEADRAIL PROFILE 4.0M LEADRAIL PROFILE 7.0M
3	0300089 - 300 0300089 - 350 0300089 - 400 0100190	ROLLER TUBE MANUAL DIA 48 3.0M ROLLER TUBE MANUAL DIA 48 3.5M ROLLER TUBE MANUAL DIA 48 4.0M ROLLER TUBE MOTOR 5.5M
4	5400143 - xxx - y 5400144 - xxx - y 5400145 - xxx - y 5400146 - xxx - y	JAMAICA ARUBA GREY WAVES BLUE WAVES
5	5400152	SPRING ARM 2.50M LEFT
6	5400153	SPRING ARM 2.50M RIGHT
7	5400021 - z	ENDCAP BACKPROFILE MANUAL LEFT
8	5400022 - z	ENDCAP BACKPROFILE MANUAL RIGHT
9	5400191	LOWER STOP + CON. LEADRAIL LEFT
10	5400192	LOWER STOP + CON. LEADRAIL RIGHT
11	5400016	SUPPORT LEG
12	5400176 - z	ENDCAP LEADRAIL LEFT
13	5400177 - z	ENDCAP LEADRAIL RIGHT
14	5400011 5400046	ARMSUPPORT LEFT 3.50M OR LESS ARMSUPPORT LEFT 4.00M OR MORE
15	5400012 5400047	ARMSUPPORT RIGHT 3.50M OR LESS ARMSUPPORT RIGHT 4.00M OR MORE
16	0900085 0900092	TUBE BUSH D58 WITH SQUARE AXLE TUBE BUSH D48 WITH SQUARE AXLE
17	0900084 0900093	TUBE BUSH D58 WITHOUT SQUARE AXLE TUBE BUSH D48 WITHOUT SQUARE AXLE
18	0500182	LOGO PROSTOR
19	5000921 - z	ENDCAP BACKPROFILE LEFT
20	0900086	GEAR

21	0500164	BEARING ROLLERTUBE
22	0200156	COUPLING FUNNEL
23	5000922 - z	ENDCAP BACKPROFILE RIGHT MANUAL 4.00M OR LESS / MOTOR
24	0300079	END COURSE PLATE
25	0500208	LOGOPLATE LB
26	5001317 5001318 5001319	ROLLER TUBE SPRING MECHANISM 3.0M ROLLER TUBE SPRING MECHANISM 3.5M ROLLER TUBE SPRING MECHANISM 4.0M
27	1102588 - 300 1102588 - 350 1102588 - 400	FABRIC FOR SPRING MECHANISM 3.0 M FABRIC FOR SPRING MECHANISM 3.5 M FABRIC FOR SPRING MECHANISM 4.0 M
28	5400124	ADJUSTABLE CRANK RV
29	5400129	MOUNTING BRACKET
30	0900028	CRANK HOLDER 25 MM
31	0500351	SPRING SUPPORT
32	0500349	TRIANGLE GRIP
33	0500300	TENSION RAFTER MUSHROOM
34	5100378	TUBES TENSION RAFTER
35	5400054	TENSION RAFTER SHOE
36	5000999 - z	ENDCAP BACKPROFILE LEFT - FOR MOTOR
37	0400230	MOTORPLATE
38	1000241 1000283	TUBULAR MOTOR 220V TUBULAR MOTOR 12V
39	0500350	SLOT VALANCE BAR
40	0500348	VALANCE BAR PROFILE 4.0 M

xxx : LENGTH
y : CONTROL
- 0 MANUAL
- 1 MOTOR

z : Color
- 0 WHITE
- 1 ANO