

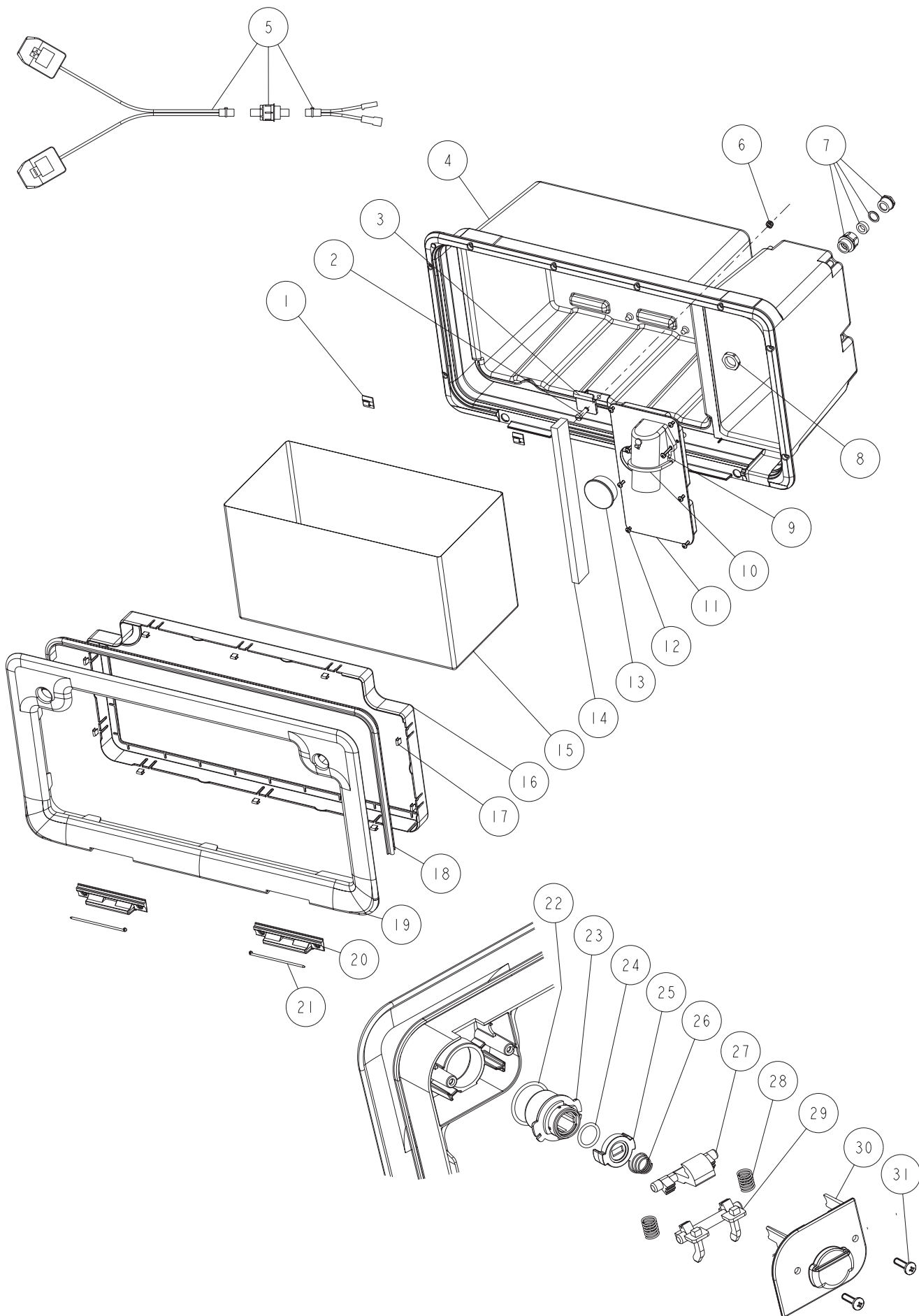


SPARE PARTS LIST
EXTERIOR PRODUCTS
VERSION 2

Index

Battery Box/Wet-Locker Box	Page 2 - 5
Doors	Page 6 - 13
Vocabulary	Page 14
Colourindex	Page 15

Battery Box



Battery Box

Spare part number

Available in
colour number

1. Hook (2x) (only with screw on battery terminals)
2. Screw
3. Clamping plate
4. Battery Box
5. 12V Wire harness
6. Nut
7. Grommet PG 13,5
8. Nut PG 13,5
9. Screw (2x)
10. CEE socket
11. Mounting plate
12. Screw (6x)
13. Blind plug
14. Foam divider

15. Soft tray	26620	
---------------	-------	--

16. Door inner
17. Door clip (10x)
18. Door seal
19. Door outer
20. Hinge (2x)

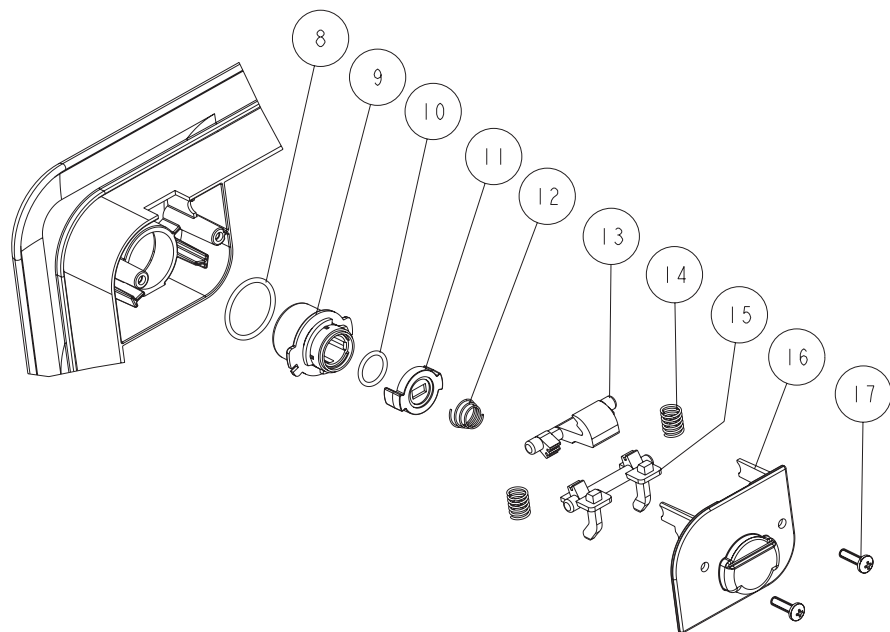
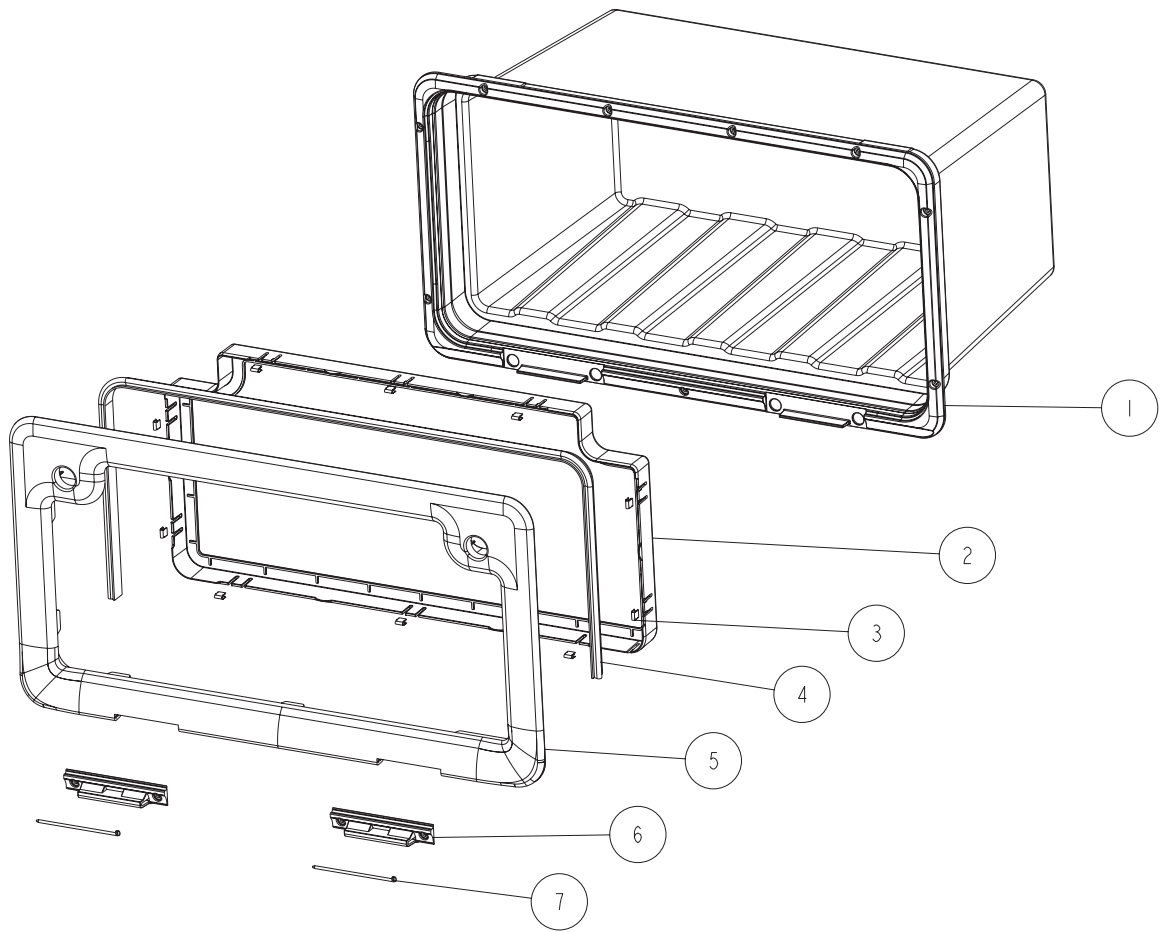
21. Hinge pin (2x)	26602	
--------------------	-------	--

22. O-ring

23. Cylinder housing and cylinder Zadi (2x)	26604	57/58/80
Cylinder housing Fawo 1 (2x)	26606	57/80/84
Cylinder housing Fawo 2 (2x)	26607	57

24. O-ring (2x)
25. Pawl (2x)
26. Spring (2x)
27. Latch (2x)
28. Spring (4x)
29. Lever (2x)
30. Black plate left
 Back plate right
31. Screw (4x)

Wet Locker Box



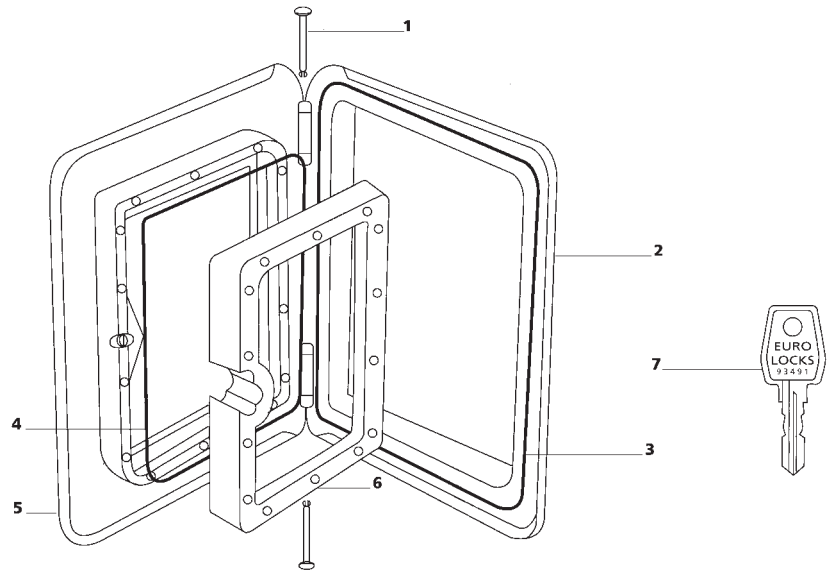
Wet Locker Box

Spare part number

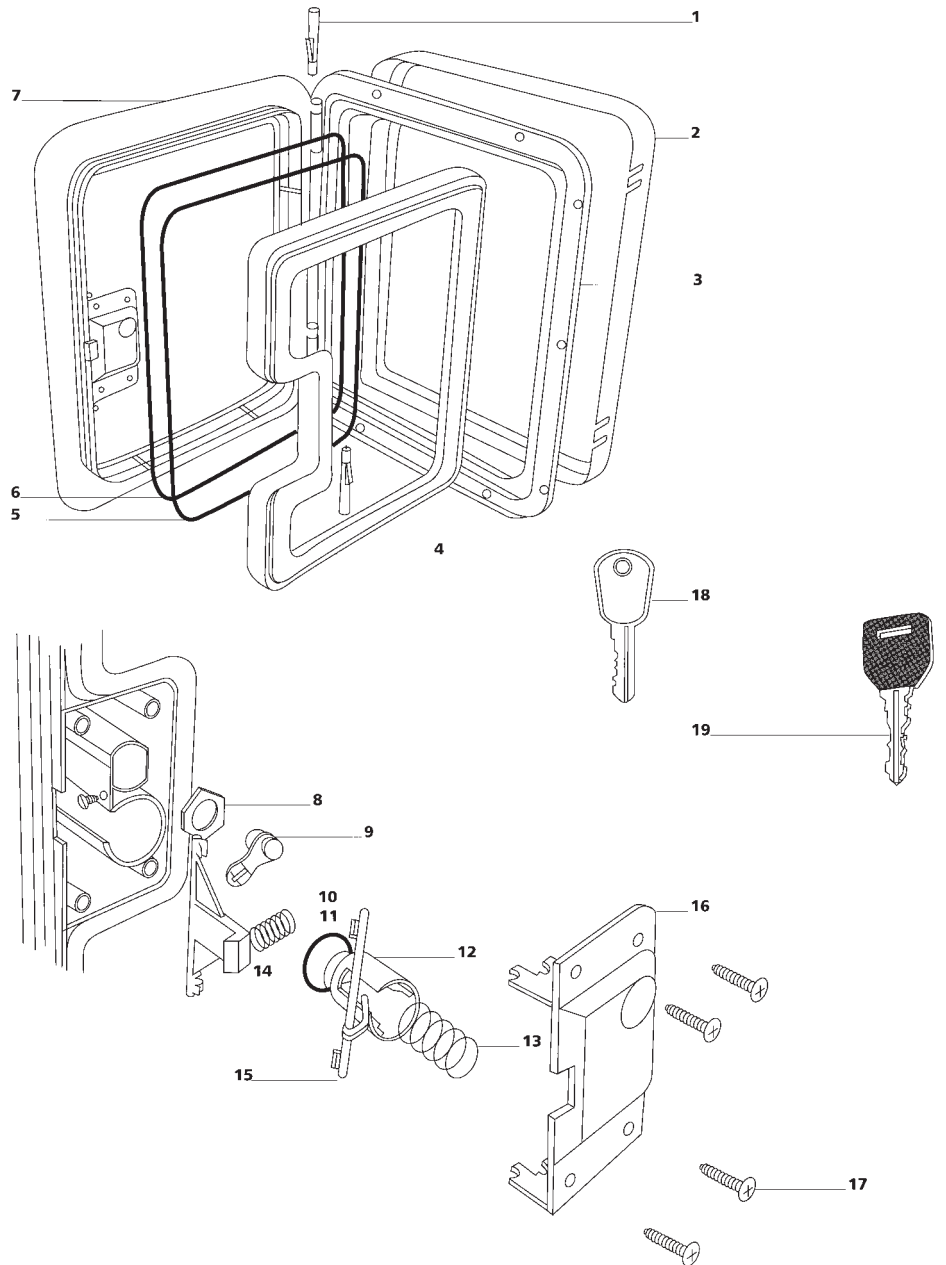
Available in
colour number

1.	Wet Locker Box		
2.	Door inner		
3.	Door clip (10x)		
4.	Door seal		
5.	Door outer		
6.	Hinge (2x)		
<hr/>			
7.	Hinge pin (2x)	26602	
<hr/>			
8.	O-ring		
<hr/>			
9.	Cylinder housing and cylinder Zadi (2x)	26604	57/58/80
	Cylinder housing Fawo 1 (2x)	26606	57/80/84
	Cylinder housing Fawo 2 (2x)	26607	57
<hr/>			
10.	O-ring (2x)		
11.	Pawl (2x)		
12.	Spring (2x)		
13.	Latch (2x)		
14.	Spring (4x)		
15.	Lever (2x)		
16.	Black plate left Back plate right		
17.	Screw (4x)		

Door 1



Door 2



Door 1

Spare part number

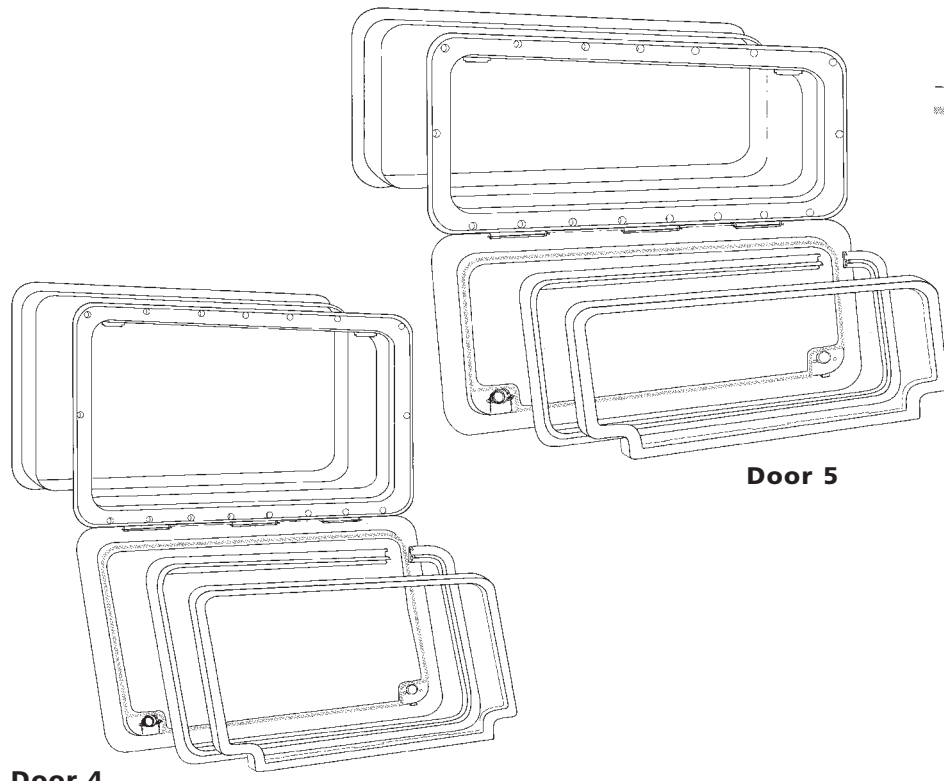
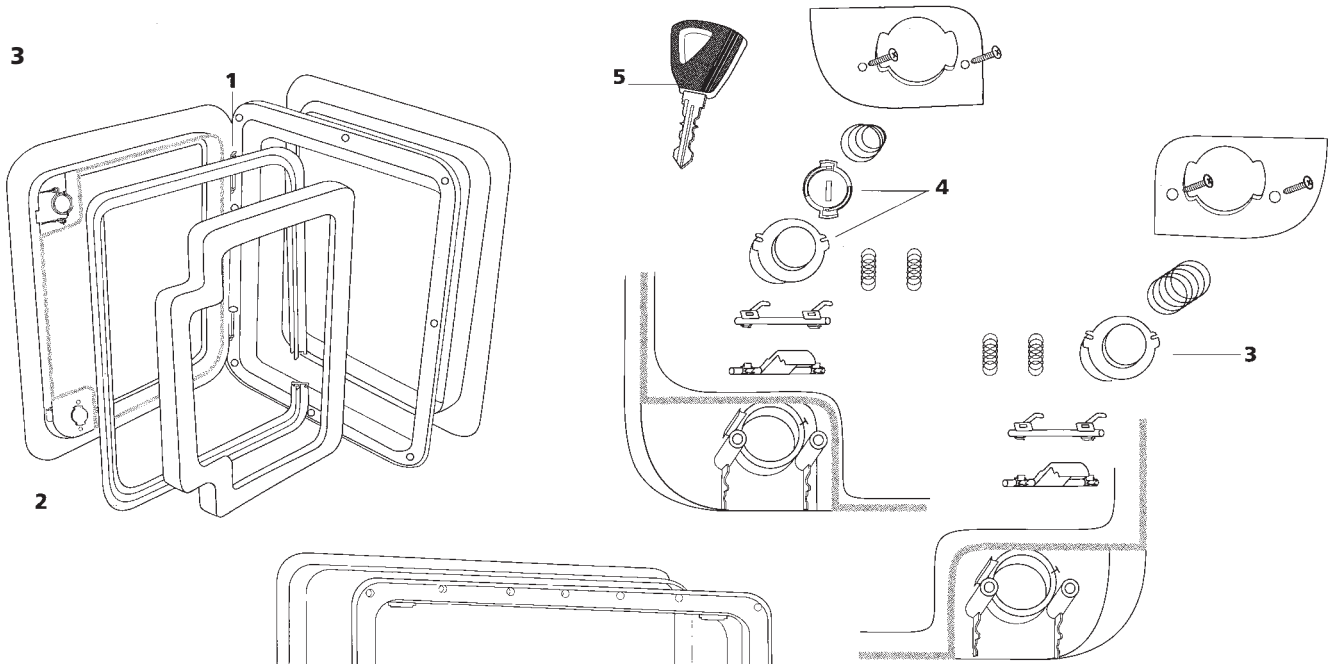
1. Hinge pin		
2. Frame outer		
3. Door seal		
4. Rope seal	16766	
5. Door outer		
6. Door inner		
7. Key Eurolock		
Lock Door 1 complete:	16388	56/57/58
Lock cover	21000	56/57

Door 2

Spare part number

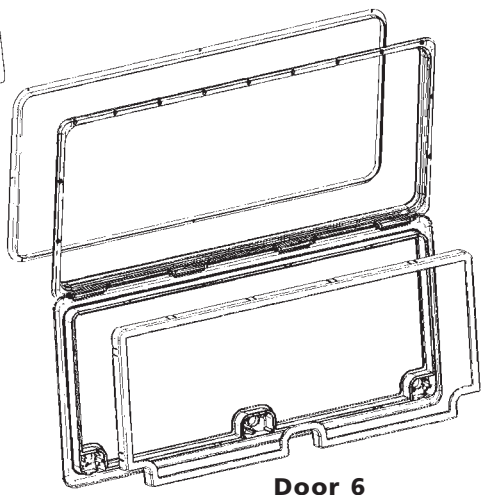
1. Hinge pin	16899	
2. Frame sleeve		
3. Frame outer		
4. Door inner		
5. Door seal		
6. Triangle seal	21111	
7. Door outer		
8. Housing nut		
9. Lock pawl		
10. Latch		
11. Spring		
12. Button		
13. Spring button		
14. O-ring		
15. Lever door		
16. Back plate		
17. Screw		
18. Key Oberholz		
19. Key Zadi		
Lock Oberholz complete:	21108	56/57/58
Lock Zadi complete:	16831	57/58
Lock cover	21109	56/57/58

Door 3



Door 4

Door 5

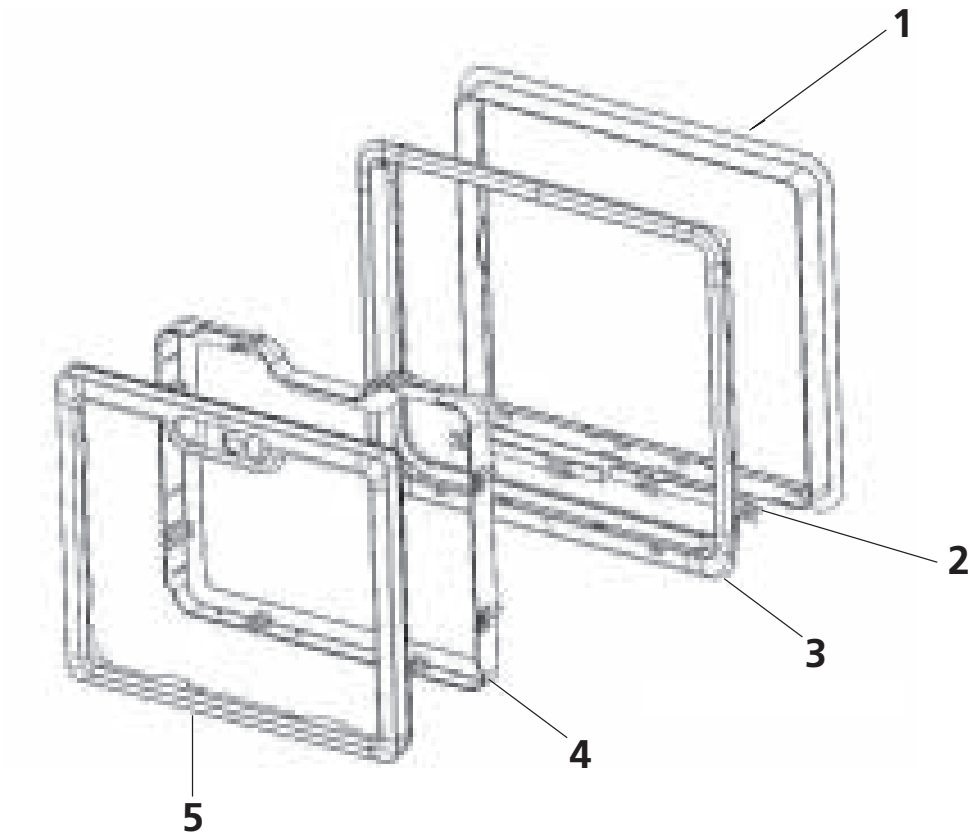


Door 6

Door 3, 4, 5 & 6

	Spare part number	Available in colour number
1. Hinge pin	26602	
2. Door seal III	26601	
Door seal IV	26605	
Door seal V	26610	
3. Push button	26603	57/58/80/84
4. Lock Zadi	26604	57/58/80
Button Fawo	26606	57/80/84
Button Fawo 2	26608	57
5. Door key Zadi		

Flush door 3



Flush door 3

Spare part number

1. Frame inner

2. Hinge pin

3. Frame outer

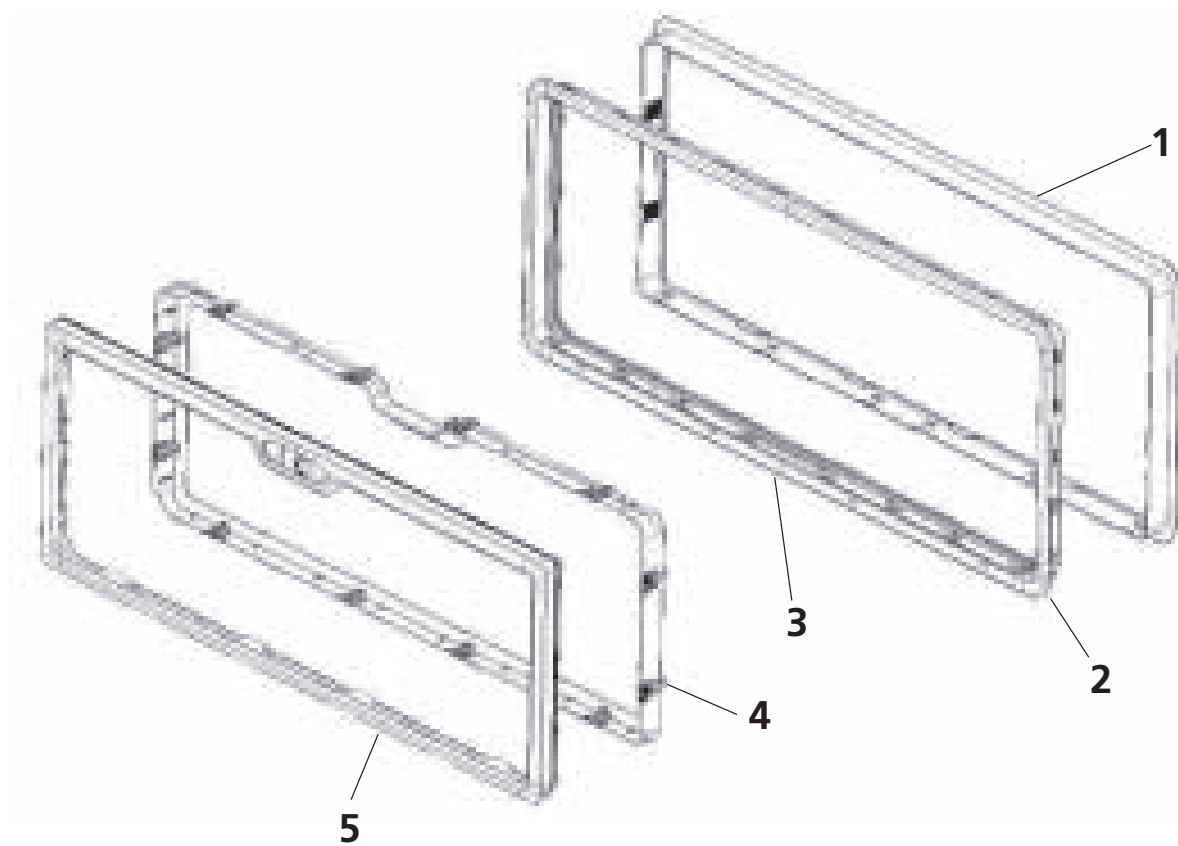
4. Door inner

5. Door outer

Door seal

26901

Flush door 5



Flush door 5

Spare part number

1. Frame inner

2. Frame outer

3. Hinge pin

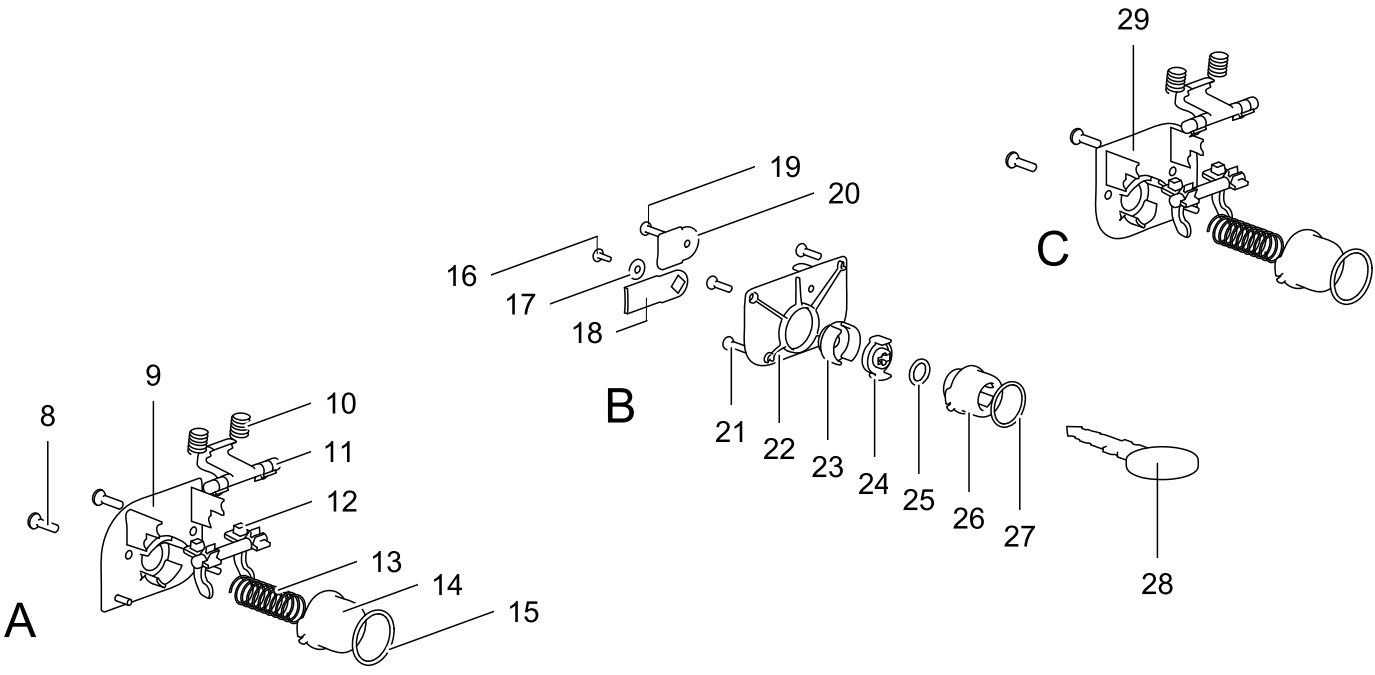
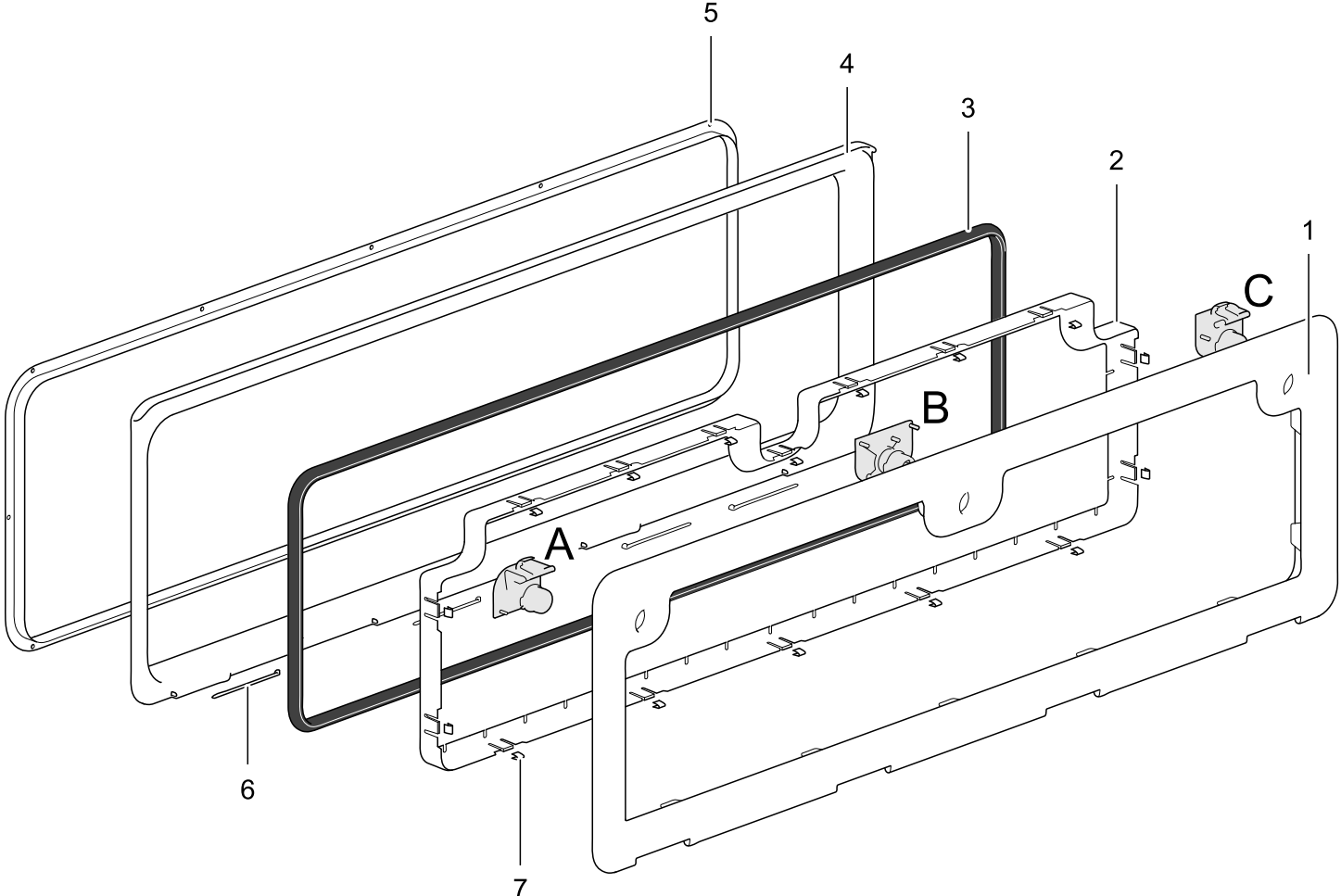
4. Door inner

5. Door outer

Door seal

26917

Service Door 7



Service Door 7

	Single spare part number	Assembly spare part number	Available in colour number
1. Door outer 2. Door inner			
3. Door seal 7	26612		
4. Frame outer 5. Frame inner			
6. Hinge pin	26602		
7. Door clip 8. Screw 9. Back plate right 10. Spring 11. Latch 12. Lever door 13. Spring 14. Blank button 15. O-ring 16. Screw 17. Washer 18. Latch 19. Screw 20. Latch bar 21. Screw 22. Back plate center 23. Pawl extension	26603		57/80/84
24. Pawl 25. O-ring 26. Button 27. O-ring 28. Key		Lock Zadi 26604 Housing Fawo 1 26606 Housing Fawo 2 26608	57/80/84 57/80/84 57/80/84
29. Back plate left			

Door 1-2-3-4-5-6 Parts – Ersatzteil – Pièces détachées – Onderdelen – Componenti – Componentes

GB	D	F	NL	I	ES
Hinge pin	Scharnierstift	Charnière de fixation	Scharnierpen	Perno della cerniera	Clavija de fijación bisagra
Frame outer	Türrahmen	Cadre du portillon	Wandframe	Telaio esterno	Marco exterior
Door seal	Dichtung	Joint de cadre du portillon	Deurrubber	Guarnizione battuta sportello	Junta de puerta
Rope seal	Dichtung	Joint inférieur du portillon	Afdichting	Guarnizione sportello	Cuerda cierre
Door outer	Äussere Türe	Cadre extérieur du portillon	Deur	Sportello	Puerta exterior
Door inner	Innere Türe	Cadre de recouvrement	Opsluitframe deur	Telaio interno sportello	Puerta interior
Key eurolock	Schlüssel Eurolock	Clé Eurolock	Sleutel	Chiave Eurolocks	Llave
Lock door 1 compl.	Schloss Tür 1	Serrure portillon 1	Slot compleet	Serratura completa per sportello 1	Llave
Lock cover	Schloß abdeckung	Protection de serrure	Slotdop	Protezione serratura	Cerradura exterior
Frame sleeve	Distanzrahmen	Cadre d'habillage	Wandframe binnen	Controtelaio parete	Armazón funda
Triangle seal	Dichtung	Joint triangulaire	Afdichting	Guarnizione triangolare	Marco junta
Housing nut	Mutter	Écrou	Moer	Dado	Junta
Lock pawl	Riegel	Taquet	Slotpal	Nottolino	Tuerca
Latch	Schliessriegel	Gâche	Sluithaak	Chiusura a scatto	Pestillo
Spring	Feder	Ressort	Veer	Molla	Soporte
Button	Druckknopf	Bouton-poussoir	Drukknop	Pulsante	Muelle
Spring button	Feder	Ressort	Knopveer	Molla pulsante	Funda
O-ring	O-ring	Joint du bouton-poussoir	O-ring	Guarnizione O.R.	Muelle pulsador
Lever door	Riegel	Axe du mécanisme	Hefboom	Comando chiusura scatto	Junta
Back plate	Rückenplatte Schloss	Plaque arrière	Afdekkap	Plastra interna serratura	Cerradura
Key oberholz	Schlüssel Oberholz	Clé Oberholz	Sleutel	Chiave Oberholz	Llave universal
Key zadi	Schlüssel Zadi	Clé Zadi	Sleutel	Chiave Zadi	Llave
Push button	Druckknopf	Bouton-poussoir	Drukknop	Pulsante	Pulsador

Colourindex

	Code
56 Dark brown	P30782T
57 Cream white / Parchment	RAL 9001
58 Very dark grey	RAL 7015
80 White	BASF 31573
84 White grey	Fiat Bianca 210

WWW. THETFORD-EUROPE.COM / E-MAIL: INFO@THETFORD.NL

Thetford B.V.
Nijverheidsweg 29
4870 AD Etten-Leur
Nederland
Tel.: +31 (0)76-5042200
Fax: +31 (0)76-5042300

Thetford GmbH
Schallbruch 14
D-42781 Haan
Deutschland
Tel.: +49 (0)2129-94250
Fax: +49 (0)2129-942525

Thetford Ltd.
Unit 6
Centrovell Ind. Estate
Caldwell Road
Nuneaton, Warwickshire
CV11 4UD, England
Tel.: +44 (0)2476-322700
Fax: +44 (0)2476-322705

Thetford S.A.R.L.
Boîte Postale 204
95614 Cergy Pontoise Cedex
France
Tel.: +33 (0)1-30375823
Fax: +33 (0)1-30379767

Thetford B.V.
Repres. Office Scan.
Brodalsvägen 7
S-433 38 Partille
Sverige
Tel.: +46 (0)31-3363580
Fax: +46 (0)31-448570

Tecma srl-Thetford Italy
Via Flaminia
Loc. Castel delle Formiche
05030 Otricoli (TR)
Italy
Tel.: +39 (0)744-709071
Fax: +39 (0)744-719833

Mercè Grau-Sola
Agente para España y
Portugal
C/Llibertat, 103-105 Bajos
08800 Vilanova I la Geltru
Barcelona
España
Tel.: +34 (9)3815-4389
Fax: +34 (9)3815-6106

Copyright© 2003 Thetford B.V. All rights reserved.
Changes, printing, setting and translation mistakes excepted.
Date: April 2005