

SPARE PARTS RV ACCESSORIES

PRICE LIST 2012 (Valid from 01-01-2012)

LISTE DE PRIX 2012 (Valable à partir du 01-01-2012)

PRIJSLIJST 2012 (Geldig vanaf 01-01-2012)

PREISLISTE 2012 (Gültig ab 01-01-2012)

Price List 2012

(EN) SALES CONDITIONS

- Consumer Prices exclude tax.
- All prices can be modified without previous notice.
- This price list cancels all previous price lists.

(FR) CONDITIONS DE VENTE

- Prix public conseillés hors taxes.
- Ces prix peuvent être sujet à modification sans notification préalable.
- Cette liste de prix annule et remplace toute autre liste publiée antérieurement.

(NL) VERKOOPSVORWAARDEN

- Consumentenprijzen excl. BTW.
- De prijzen kunnen op elk moment gewijzigd worden zonder voorafgaande melding.
- Deze prijslijst vernietigt alle voorafgaande prijslijsten.

(DE) VERKAUFSBEDINGUNGEN

- Endverbraucherpreise excl. MwSt.
- Preiseänderungen behalten wir uns vor, ohne vorherige Bekanntmachung.
- Mit dieser Preisliste verlieren alle vorher veröffentlichten Preislisten Ihre Gültigkeit.

Overview

AWNINGS			Page
Current	All	Awning common parts	4
	Wall awnings	Thule Omnistor Caravan Style	6
		Thule Omnistor W150	8
		Thule Omnistor 2000	10
		Thule Omnistor 4900	12
		Thule Omnistor 5003	15
		Thule Omnistor 5102	14
		Thule Omnistor 8000	18
	Roof awnings	Thule Omnistor 6002	22
		Thule Omnistor 6502 & 6900	25
Specials	Tristor ²	28	
	Thule Omnistor 6002 Hobby	30	
	VW California	32	
Phased-out	Thule Omnistor 5002	33	
	Omni V10	36	
	Thule Omnistor 5500 / 5800	38	
	600K	42	

TENTS			Page
Current	Safari Residence	43	
	Safari Room	46	
	Safari Style	48	

BIKE CARRIERS			Page
Current	All	Sport & Elite common parts	49
	Rear wall	Sport	51
		Sport short version	51
		Sport W150	51
		Sport Hobby	51
		Sport caravan tour	54
		Sport caravan universal	54
		Elite	56
		Elite short version	56
		Elite FH & HH	56
	A-frame	Sport caravan	53
		Sport caravan comfort	53
		Sport caravan special	53
	Specials	Sport Ducato	52
		Sport 2 doors	55
		Sport garage	55
		Elite Euracargo	57
		Lift	58
	Phased-out	Om nibike, plus & deluxe common parts	59
Om nibike plus & Om nibike plus short version		61	
Om nibike plus E		62	

Overview

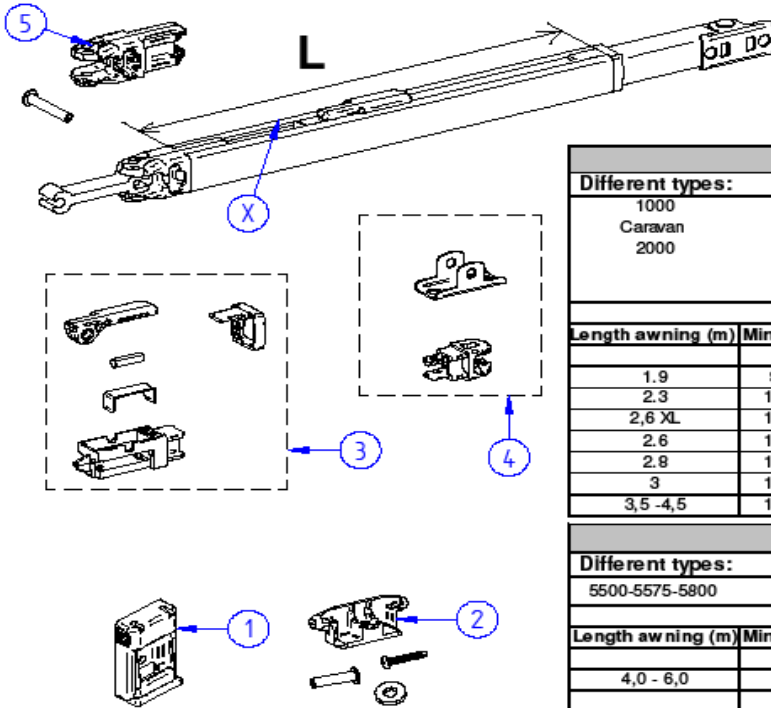
STEPS			Page
Current	All	Step common parts	63
		Single step V10	64
		Double step	66
		Slide-out step	67
Specials		Slide-out Lift	69
Phased-out		Manual step 47	70
		Single step V02	71


OTHER PRODUCTS			Page
		Rooflights Omnivent	73
		Ladders and Roofrails	75
		Boxes	77

Awning common Parts

STA600

	ART.NR.	DESCRIPTION	End consumer €/ Excl.VAT
1	1500601212	PLASTIC BOTT.MOUNT.BRACKET 2PCS	12,78
2	1500601789	CENTRAL CLAMP SUPPORT LEG V2	2,60
3	1500601605	ADJ.BALANCER ASSY SUPPORT LEG V2 (2 PCS)	4,53
4	1500601604	FOOT + RIVET SUPPORT LEG V2 (2PCS)	10,92
5	1500601603	FEMALE HINGE SUPPORT LEG V2	8,96





Support arm light >2009						
Different types:						
1000	5002	6002	OmniV10			
Caravan	5003	6002 Car & style	OmniV 10 XL			
2000	5102/VW	6802 < 4m	OmniSol			
	5800 < 4m	6002 Hobby	600K			
	8000 (3,5m)		600K-TL			
General rule						
Length awning (m)	Min. height	Max. height	L = outer profile	3 parts	2 parts	Movex
1.9	97 cm	177 cm	68 cm	X		1500601588
2.3	107 cm	217 cm	88 cm	X		1500601609
2,6 XL	123 cm	276 cm	103 cm	X		1500601960
2.6	123 cm	208 cm	103 cm		X	1500601610
2.8	131 cm	225 cm	111 cm		X	1500601961
3	144 cm	248 cm	123 cm		X	1500601611
3,5 -4,5	167 cm	296 cm	147 cm		X	1500601612

Support arm heavy						
Different types:						
5500-5575-5800	8000	6502-6802-6900	6002 Jet			
General rule						
Length awning (m)	Min. height	Max. height	L = outer profile	2 parts	Movex	
4,0 - 6,0	185	332	165 cm	X	1500601312	

Caravan Style						
Support leg	Min height	Max. height	L = outer profile	3 parts	2 parts	Movex
2,3-2,6	103 cm	228 cm	84 cm	X		1500602182
3,0-4,5	140 cm	241 cm	119 cm		X	1500602183

THULE Omnistor General pieces 1 STA 600-00

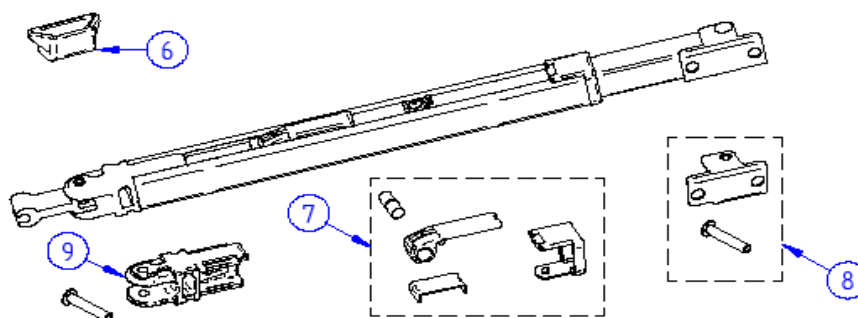
1500601588	SUPPORT ARM V2 1.90M	60,80
1500601609	SUPPORT ARM V2 2.30M	60,80
1500601960	SUPPORT ARM V2 2.60M XL	60,80
1500601611	SUPPORT ARM V2 3.00M	55,00
1500601612	SUPPORT ARM V2 3.50-4.50M	55,00
1500601312	SUPPORT ARM V2 LARGE	60,80
1500602182	SUPPORT ARM CARAVAN STYLE 2,30/2,60 M	63,24
1500602183	SUPPORT ARM CARAVAN STYLE 3,00/4,50M	63,24

Awning common Parts

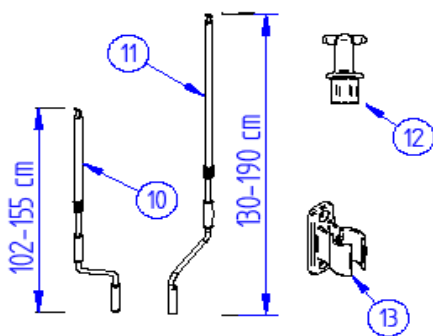
STA601

	ART.NR.	DESCRIPTION	End consumer € / Excl.VAT
6	1500601789	CENTRAL CLAMP SUPPORT LEG	2,60
7	1500601150	ADJ.BALANCER ASSY SUPPORT LEG (2 PCS)	6,39
8	1500601231	FOOT + RIVET SUPPORT LEG (2PCS)	7,16
9	1500601278	FEMALE HINGE SUPPORT LEG ASSY	8,96
10	1500601207	HAND CRANK ASSY SHORT	35,10
11	1500600115	HAND CRANK ASSY LONG	38,49
12	1500601279	UPPER CRANK PIN	7,16
13	1500601222	HAND CRANK CLIPS (2PCS)	5,59
14	1500601211	COUPLING FUNNEL	14,04

Support leg < 2009



Handcrank



Coupling Funnel



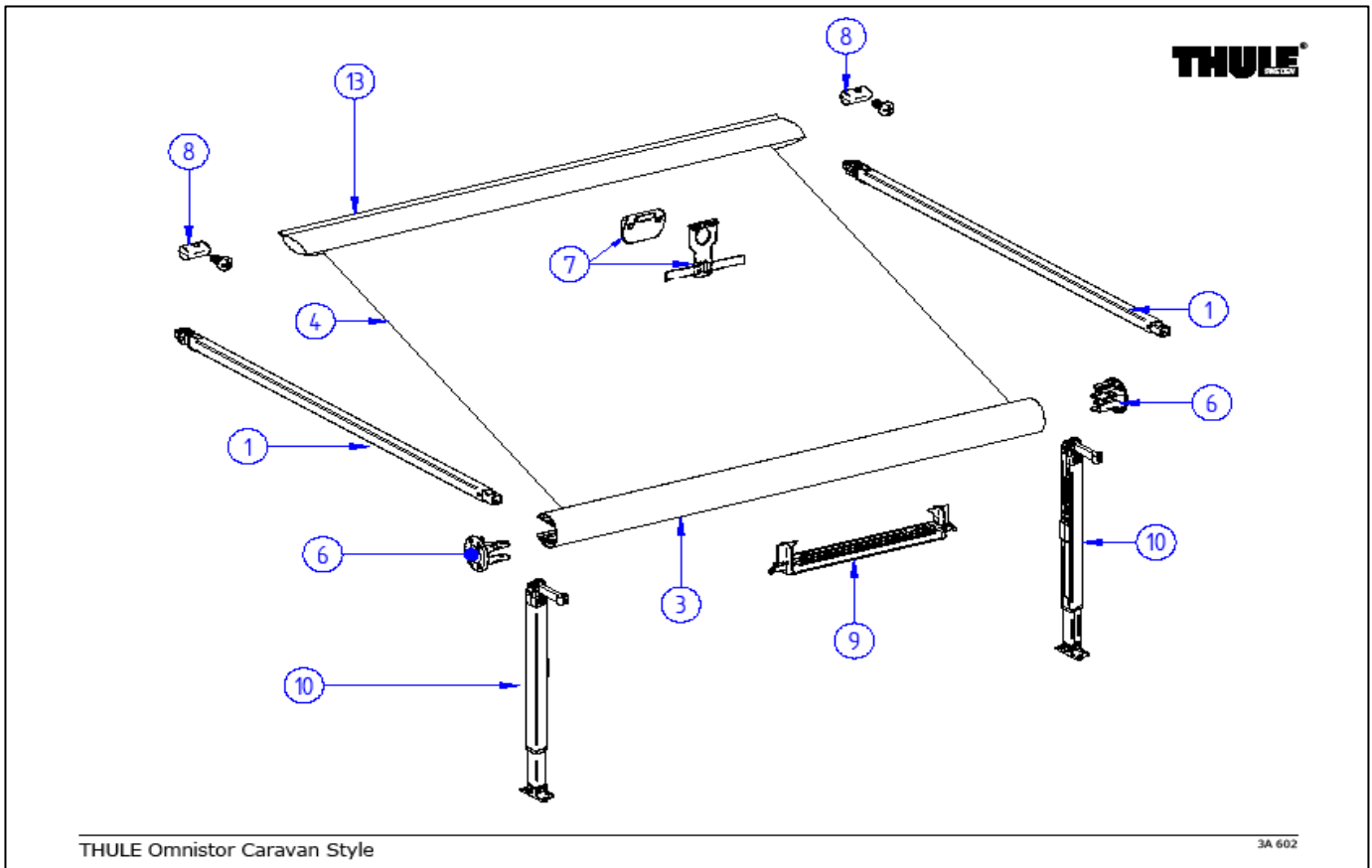
SPARE PARTS

THULE
SWEDEN

Price List 2012

CARAVAN STYLE

3A602



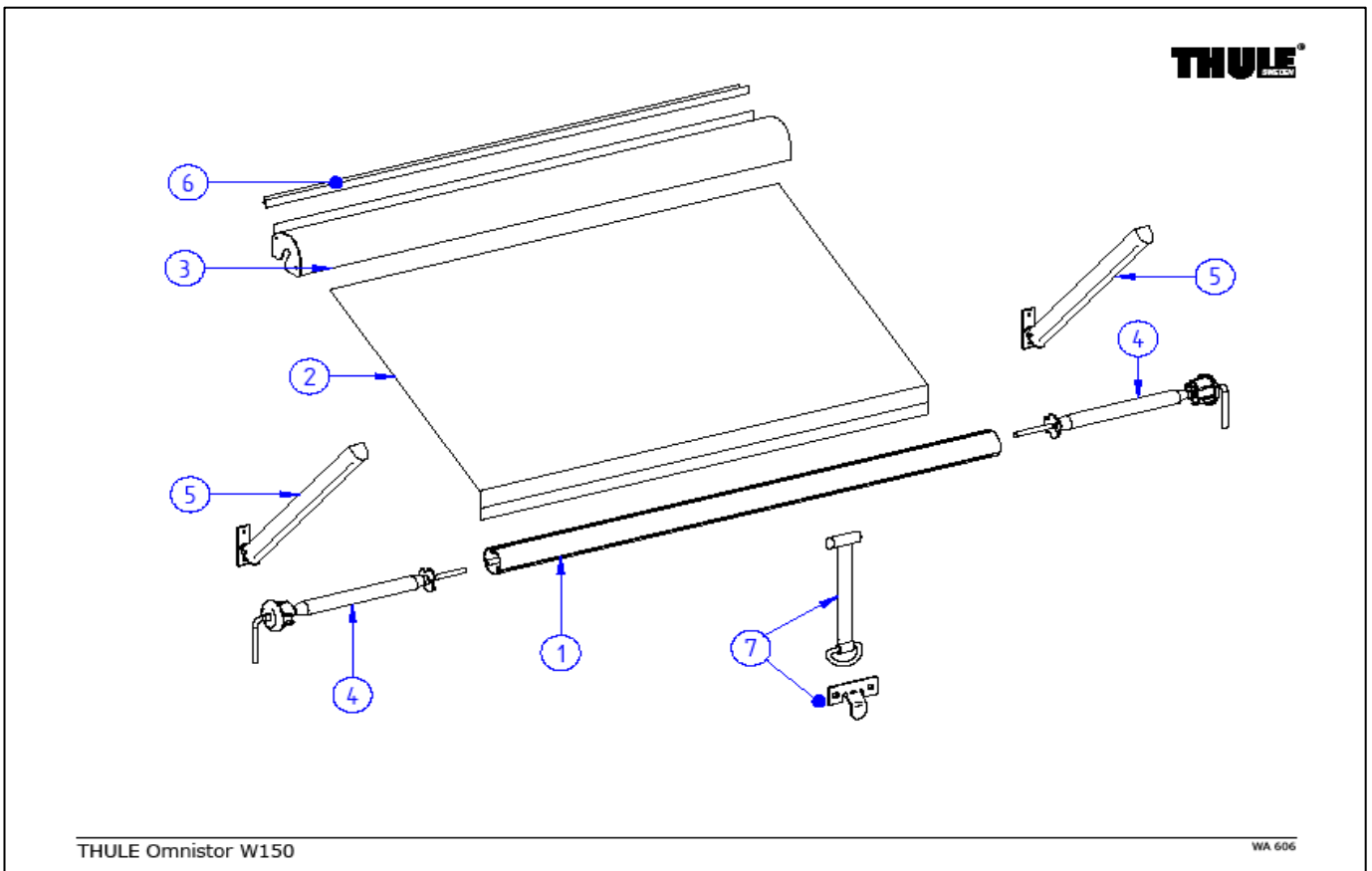
THULE Omnistor Caravan Style

3A 602

	ART.NR.	DESCRIPTION	End consumer € / Excl.VAT
1	1500602184	RAFTER ARM ASSY 2,30/2.60 M	56,48
	1500602185	RAFTER ARM ASSY 3.00/4,50 M	56,48
3	1500601808	ROLLER TUBE CAR STYLE - 2,30M	51,73
	1500601737	ROLLER TUBE CAR STYLE 2.60M	56,73
	1500600046	ROLLER TUBE CAR STYLE 3.00M	65,46
	1500601809	ROLLER TUBE CAR STYLE - 3,50M	76,37
	1500601810	ROLLER TUBE CAR STYLE - 4,00M	87,28
	1500601470	ROLLER TUBE CAR STYLE 4.50M	98,19
4	1500600062	FABRIC 2.30M CAR STYLE 03 BL SK	198,89
	1500600063	FABRIC 2.30M CAR STYLE 04 AL GR	198,89
	1500600064	FABRIC 2.60M CAR STYLE 03 BL SK	210,81
	1500600065	FABRIC 2.60M CAR STYLE 04 AL GR	210,81
	1500600066	FABRIC 3.00M CAR STYLE 03 BL SK	234,47
	1500600067	FABRIC 3.00M CAR STYLE 04 AL GR	234,47
	1500600069	FABRIC 3.50M CAR STYLE 03 BL SK	258,12
	1500600070	FABRIC 3.50M CAR STYLE 04 AL GR	258,12
	1500600071	FABRIC 4.00M CAR STYLE 03 BL SK	283,98
	1500600072	FABRIC 4.00M CAR STYLE 04 AL GR	283,98
	1500600073	FABRIC 4.50M CAR STYLE 03 BL SK	311,02
	1500600074	FABRIC 4.50M CAR STYLE 04 AL GR	311,02
5	308240	TENSION RFT 2.30M CAR STYLE	0
6	1500601173	L+R ENDCAP ROLL.TUBE CAR STYLE	16,04

SPARE PARTS**THULE**
SWEDEN**Price List 2012****CARAVAN STYLE****3A602**

7	1500601174	TENSION ARM GUARD CAR STYLE 2PCS	10,73
8	1500601177	CARAVAN RAIL BLOCKER SET	3,67
9	1500601193	COUNT.PCE R.TUBE CAR STYLE 1.90M	3,85
	1500601811	COUNT PC TUBE CAR STYLE 2,60M	3,85
	1500601194	COUNT.PCE R.TUBE CAR STYLE 3.50M	5,13
	1500601195	COUNT.PCE R.TUBE CAR STYLE 4.00M	6,42
	1500601812	COUNT.PCE R.TUBE CAR STYLE 4,50M	7,70
10	1500602182	SUPPORT ARM 2,30/2,60 M	63,24
	1500602183	SUPPORT ARM 3,00/4,50M	63,24



THULE Omnistor W150

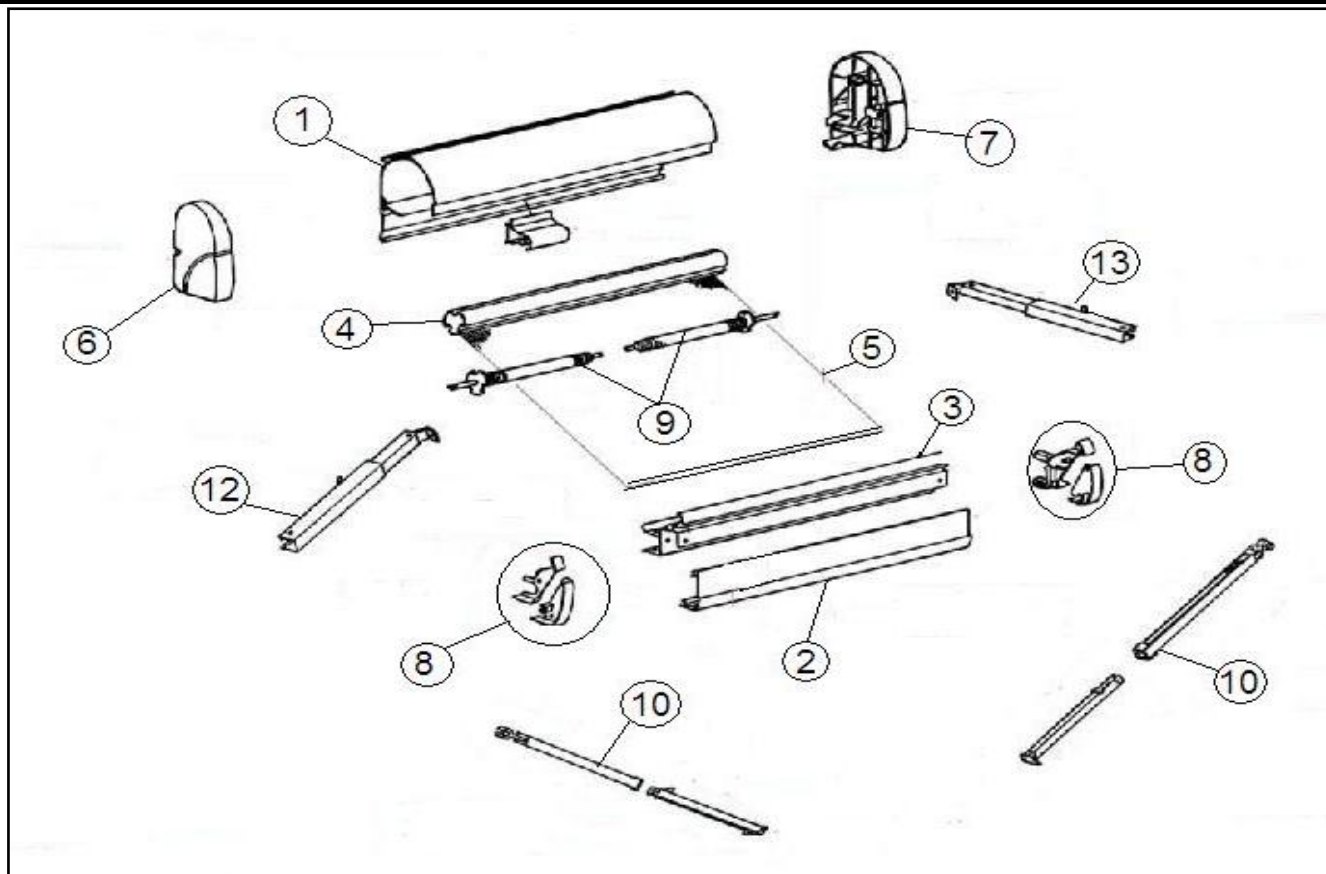
WA 606

	ART.NR.	DESCRIPTION	End consumer € / Excl.VAT
1	1500601804	ROLLER TUBE W150 - 1,00M	19,42
	1500601805	ROLLER TUBE W150 - 1,20M	24,32
	1500601806	ROLLER TUBE W150 - 1,40M	28,76
	1500601454	ROLLER TUBE WA 1.85M	37,35
	1500601807	ROLLER TUBE W150 - 2,85M	55,10
2	1500601813	FABRIC W150 1,00M 03	42,39
	1500600011	FABRIC W150 1,00M 04	42,39
	1500600012	FABRIC W150 1,00M 13 SCREEN	42,39
	1500601814	FABRIC W150 1,20M 03	50,45
	1500601536	FABRIC W150 1,20M 04	50,45
	1500600018	FABRIC W150 1,20M 13 SCREEN	50,45
	1500601815	FABRIC W150 1,40M 03	57,83
	1500600024	FABRIC W150 1,40M 04	57,83
	1500600025	FABRIC W150 1,40M 13 SCREEN	57,83
	1500601787	FABRIC W150 1,85M 03	71,60
	1500600030	FABRIC W150 1,85M 04	71,60
	1500600031	FABRIC W150 1,85M 13 SCREEN	71,60
	1500601819	FABRIC W150 2,85M 03	94,61
	1500601820	FABRIC W150 2,85M 04	94,61
	1500600036	FABRIC W150 2,85M 13 SCREEN	94,61
	3	1500600041	HOUSING & RAIL PROF. W150 1.00M
1500601455		HOUSING & RAIL PROF. W150 1.20M	41,69
1500601822		HOUSING & RAIL PROF. W150 1.40M	52,29

SPARE PARTS**THULE**
SWEDEN**Price List 2012****W150****WA606**

	1500601456	HOUSING & RAIL PROF. W150 1,85M	67,23
	1500601823	HOUSING & RAIL PROF. W150 2,85M	97,15
4	1500601190	LH + RH TORSION ASSY W150	42,99
5	1500601191	LH & RH SUPPORT ARM W150	34,01
6	1500601824	ADAPTER W150 (2PCS)	12,54
7	1500601192	STRAP & STRAP HANGER W150	10,73

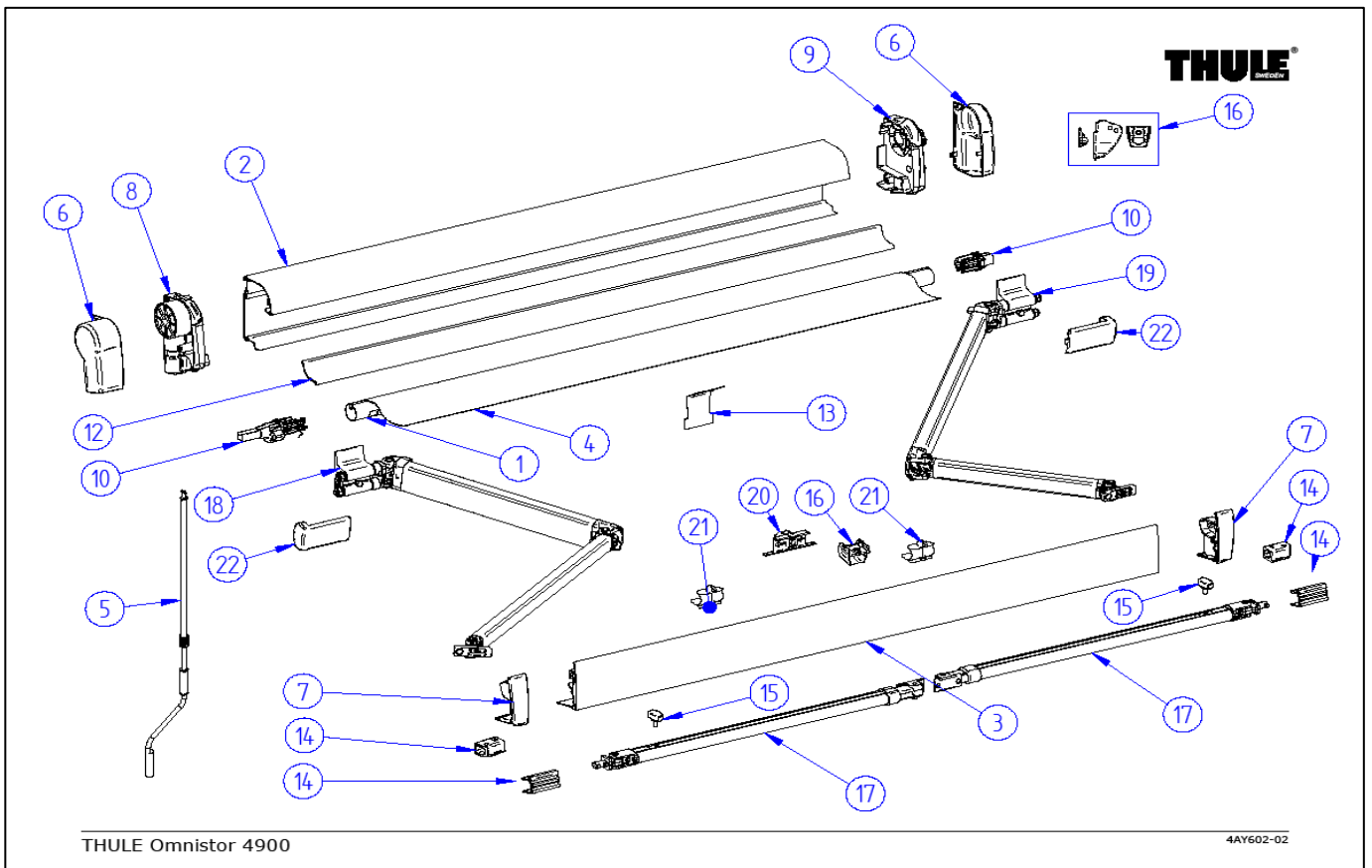
2000



	ART.NR.	DESCRIPTION	End consumer € / Excl.VAT
1	1500600742	MAIN HOUSING 2000 1.90M	69,29
	1500600743	MAIN HOUSING 2000 2.60M	89,50
	1500600744	MAIN HOUSING 2000 3.00M	103,12
2	1500600745	COVER LEAD RAIL 2000 1.90M	27,69
	1500600746	COVER LEAD RAIL 2000 2.60M	35,44
	1500600747	COVER LEAD RAIL 2000 3.00M	40,75
3	1500600748	INSIDE LEAD RAIL 2000 1.90M	50,42
	1500600749	INSIDE LEAD RAIL 2000 2.60M	64,91
	1500600750	INSIDE LEAD RAIL 2000 3.00M	74,84
4	1500600751	ROLLER TUBE 2000 1.90M	37,29
	1500600752	ROLLER TUBE 2000 2.60M	47,81
	1500600753	ROLLER TUBE 2000 3.00M	55,14
5	1500602325	FABRIC 1.90M 2000 04	111,99
	1500600758	FABRIC 1.90M 2000 22 RAL 9002	111,99
	1500602326	FABRIC 2,60M 2000 04	175,66
	1500600762	FABRIC 2,60M 2000 22 RAL 9002	175,66
	1500602180	FABRIC 3,00M 2000 04	195,39
	1500600767	FABRIC 3.00M 2000 22 RAL 9002	195,39
6	1500601196	LH COVER ASSY OMNISTOR 2000	8,96
7	1500601197	RH COVER ASSY OMNISTOR 2000	8,96
8	1500601198	LH+RH END PLATE LEAD RAIL 2000	6,82
9	1500601199	LH + RH TORSION ASSY 2000	42,99
10	1500601588	SUPPORT ARM V2 1.90M	60,80

SPARE PARTS**THULE**
SWEDEN**Price List 2012****2000**

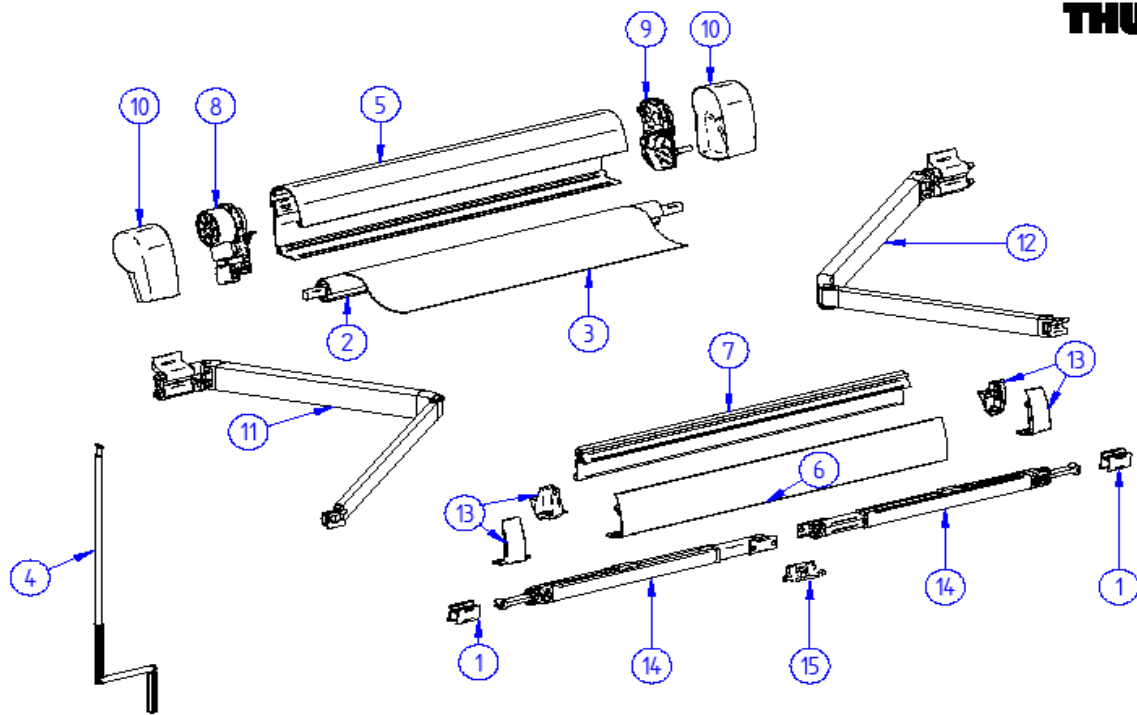
	1500601960	SUPPORT ARM V2 2.60M XL	60,80
	1500601611	SUPPORT ARM V2 3.00M	55,00
12	1500601323	LH RAFTER ARM ASSY 1.90M 2000	56,04
	1500601324	LH RAFTER ARM ASSY 2.60M 2000	56,04
	1500601325	LH RAFTER ARM ASSY 3.00M 2000	56,04
13	1500601326	RH RAFTER ARM ASSY 2000 1.90M	56,04
	1500601327	RH RAFTER ARM ASSY 2000 2.60M	56,04
	1500601328	RH RAFTER ARM ASSY 2000 3.00M	56,04



	ART.NR.	DESCRIPTION	End consumer € / Excl.VAT
1	1500602186	ROLLER TUBE D=30X0.8MM / 4900-3.00M	45,60
	1500602187	ROLLER TUBE D=30X0.8MM / 4900-3.50M	51,90
	1500602188	ROLLER TUBE D=30X0.8MM / 4900-4.00M	58,19
	1500602189	ROLLER TUBE D=30X0.8MM / 4900-4.50M	64,48
2	1500602190	MAINHOUSING 4900 3M00 WHITE	125,84
	1500602191	MAINHOUSING 4900 3M50 WHITE	140,40
	1500602192	MAINHOUSING 4900 4M00 WHITE	167,44
	1500602193	MAINHOUSING 4900 4M50 WHITE	182,00
	1500602198	MAINHOUSING 4900 3M00 ANO	125,84
	1500602199	MAINHOUSING 4900 3M50 ANO	140,40
	1500602200	MAINHOUSING 4900 4M00 ANO	167,44
	1500602201	MAINHOUSING 4900 4M50 ANO	182,00
3	1500602194	LEADRAIL 4900 3M00	90,84
	1500602195	LEADRAIL 4900 3M50	104,57
	1500602196	LEADRAIL 4900 4M00	119,08
	1500602197	LEADRAIL 4900 4M50	120,95
	1500602248	LEADRAIL 4900 3M00 ANO	90,84
	1500602249	LEADRAIL 4900 3M50 ANO	104,57
	1500602250	LEADRAIL 4900 4M00 ANO	119,08
	1500602251	LEADRAIL 4900 4M50 ANO	120,95
4	1500602202	FABRIC 3M00 4900 31	195,40
	1500602203	FABRIC 3M00 4900 32	195,40
	1500602204	FABRIC 3M50 4900 31	217,33

SPARE PARTS**THULE**
SWEDEN**Price List 2012****4900****4AY602-02**

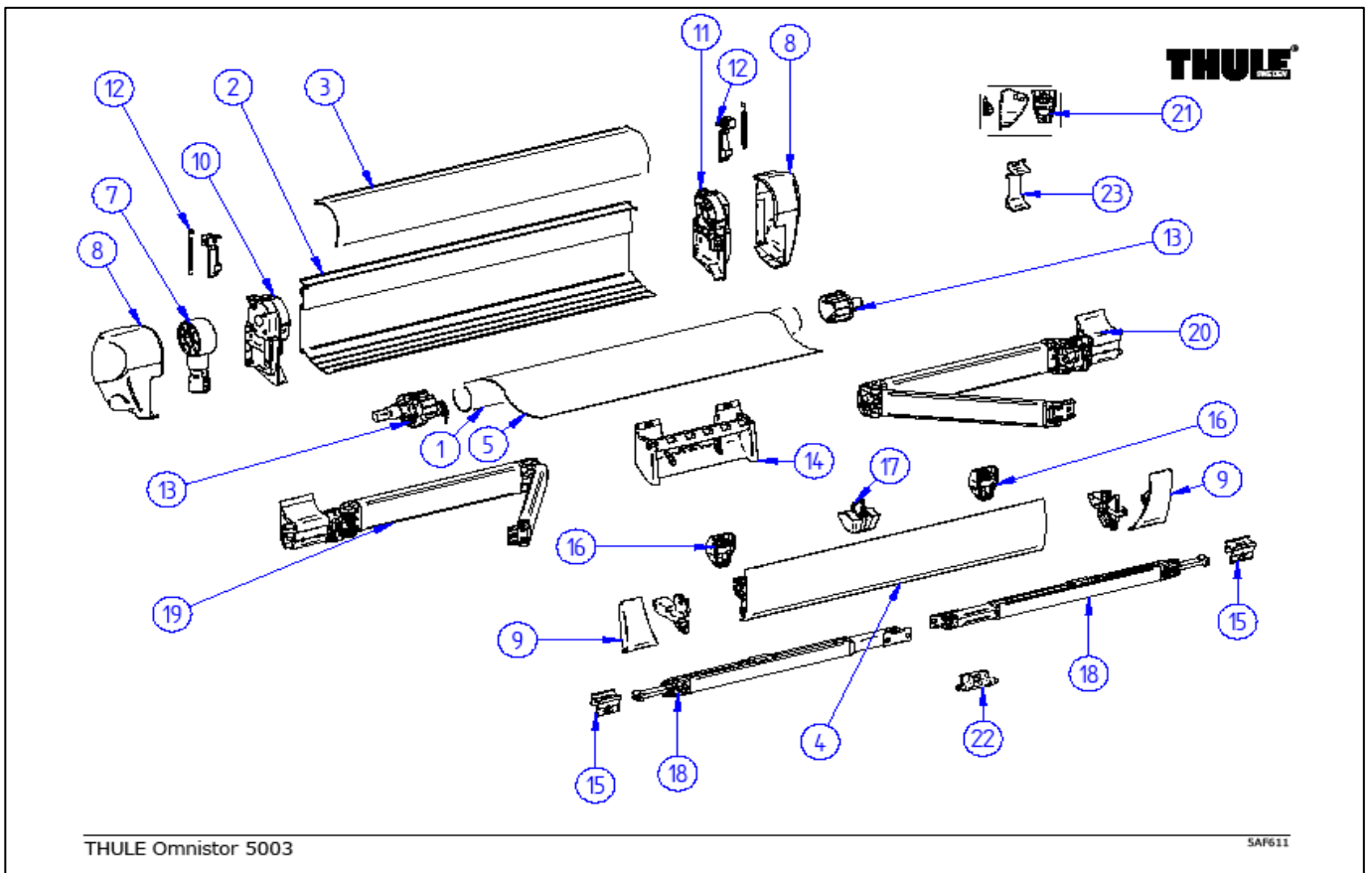
	1500602205	FABRIC 3M50 4900 32	217,33
	1500602206	FABRIC 4M00 4900 31	239,31
	1500602207	FABRIC 4M00 4900 32	239,31
	1500602208	FABRIC 4M50 4900 31	258,08
	1500602209	FABRIC 4M50 4900 32	258,08
5	1500602210	HAND CRANK SMALL G2	35,10
6	1500602211	LH + RH ENDCAP MAINHOUSING 4900	11,65
	1500602212	LH + RH ENDCAP MAINHOUSING 4900 ANO	11,65
7	1500602213	LH + RH ENDCAP LEADRAIL 4900	9,41
	1500602214	LH + RH ENDCAP LEADRAIL 4900 ANO	9,41
8	1500602215	LH ENDPLATE ASSY 4900	37,49
	1500602216	LH ENDPLATE ASSY 4900 ANO	37,49
9	1500602217	RH ENDPLATE ASSY 4900	11,60
	1500602218	RH ENDPLATE ASSY 4900 ANO	11,60
10	1500602219	LH + RH ENDCAP ROLLERTUBE 4900	9,22
11	1500602374	LH+RH CONN LEAD RAIL 4900	12,00
12	1500602284	SUPPORT ROLLER TUBE 4900 3M00	11,60
	1500602285	SUPPORT ROLLER TUBE 4900 3M50	12,79
	1500602221	SUPPORT ROLLER TUBE 4900 4M00	13,99
	1500602222	SUPPORT ROLLER TUBE 4900 4M50	15,18
13	1500602223	SPRING SUPPORT ROLLER TUBE 4900	5,62
14	1500602224	CONNECTION SUPPORT ARM 4900	14,40
15	1500602225	KNOB SUPPORT ARM OVAL (2PCS)	7,18
16	1500602226	INSERT LEAD RAIL 4900 (2PCS)	5,20
17	1500602227	SUPPORT LEG OVAL 3M00	41,00
	1500602228	SUPPORT LEG OVAL 3M50-4M50	48,00
18	1500602229	L.H. SPRING ARM 4900 ANO 3,0/3,5M	109,20
	1500602230	L.H. SPRING ARM 4900 ANO 4,0/4,5M	109,20
19	1500602231	R.H. SPRING ARM 4900 ANO 3,0/3,5M	109,20
	1500602232	R.H. SPRING ARM 4900 ANO 4,0/4,5M	109,20
20	1500602233	CENTRAL CLAMP SUPPORT ARM OVAL	3,02
21	1500602233	CLIP SUPPORT ARM OVAL	3,02
22	1500602235	LH + RH COVER SPRING ARM BR.	5,20



THULE Omnistor 5102/VW

VW 606-00

	ART.NR.	DESCRIPTION	End consumer € / Excl.VAT
1	1500600296	CONNECT. SUPP. ARM V97 SERIE 5	3,67
2	1500601954	ROLLER TUBE ASSY 5102 2.6M	75,09
3	1500600952	FABRIC 2.60M 5102 04	175,66
4	1500601124	HANDCRANK VW T5 + 5102	31,17
5	1500601689	MAIN HOUSING VW T5 RAL9006	134,65
6	1500601955	OUTSIDE LEAD RAIL 5102	53,14
7	1500601956	INSIDE LEAD RAIL 5102	53,59
8	1500601201	LH ENDPLATE + GEAR ASSY VW T5	51,79
9	1500601202	RH ENDPLATE MH VW T5	13,99
10	1500601203	LH+RH SIDECAP ASSY 5102	13,99
11	1500602103	LH SPRINGARM COMPL 5102	125,22
12	1500602104	RH SPRINGARM COMPL 5102	125,22
13	1500601206	LH+RH LEAD RAIL END PLATE ASSY 5102	8,21
14	1500601960	SUPPORT ARM V2 2.60M XL	60,80
15	1500601789	CENTRAL CLAMP SUPPORT ARM V2	2,60
16	1500601219	LH+RH CONN.LEAD RAIL	20,60



THULE Omnistor 5003

5AF611

	ART.NR.	DESCRIPTION	End consumer € / Excl.VAT	
1	1500601790	ROLLER TUBE 48 5002/5003 -1,9M	16,85	
	1500601791	ROLLER TUBE 48 5002/5003 -2,3M	20,22	
	1500601792	ROLLER TUBE 48 5002/5003 -2,6M	22,76	
	1500601793	ROLLER TUBE 48 5002/5003 -3,0M	25,96	
	1500601794	ROLLER TUBE 48 5002/5003 -3,5M	30,27	
	1500601795	ROLLER TUBE 52 5003 -4,00M	58,97	
	1500601796	ROLLER TUBE 52 5003 -4,50M	66,56	
	2	1500601546	MAIN HOUSING 5003 1.90M	64,89
		1500601547	MAIN HOUSING 5003 2.30M	76,19
1500601548		MAIN HOUSING 5003 2.60M	84,68	
1500601549		MAIN HOUSING 5003 3.00M	97,95	
1500601550		MAIN HOUSING 5003 3.50M	114,52	
1500601551		MAIN HOUSING 5003 4.00M	131,64	
1500601552		MAIN HOUSING 5003 4.50M	148,21	
1500601567		MAIN HOUSING 5003 ANO 1.90M	65,60	
1500601568		MAIN HOUSING 5003 ANO 2.30M	77,01	
1500601569		MAIN HOUSING 5003 ANO 2.60M	85,61	
1500601570		MAIN HOUSING 5003 ANO 3.00M	98,99	
1500601571		MAIN HOUSING 5003 ANO 3.50M	115,72	
1500601572		MAIN HOUSING 5003 ANO 4.00M	133,06	
1500601573		MAIN HOUSING 5003 ANO 4.50M	149,80	
3		1500601553	ROOF HOUSING 5003 1.90M	32,73
	1500601554	ROOF HOUSING 5003 2.30M	39,83	

SPARE PARTS

THULE
SWEDEN

Price List 2012

5003

5AF611

	1500601555	ROOF HOUSING 5003 2.60M	44,23
	1500601556	ROOF HOUSING 5003 3.00M	51,21
	1500601557	ROOF HOUSING 5003 3.50M	59,92
	1500601558	ROOF HOUSING 5003 4.00M	69,01
	1500601559	ROOF HOUSING 5003 4.50M	77,72
	1500601574	ROOF HOUSING 5003 ANO 1.90M	34,37
	1500601575	ROOF HOUSING 5003 ANO 2.30M	40,60
	1500601576	ROOF HOUSING 5003 ANO 2.60M	45,10
	1500601577	ROOF HOUSING 5003 ANO 3.00M	52,20
	1500601578	ROOF HOUSING 5003 ANO 3.50M	61,12
	1500601579	ROOF HOUSING 5003 ANO 4.00M	70,32
	1500601580	ROOF HOUSING 5003 ANO 4.50M	79,25
4	1500601560	LEAD RAIL 5003 1.90M	50,81
	1500601561	LEAD RAIL 5003 2.30M	59,92
	1500601562	LEAD RAIL 5003 2.60M	66,28
	1500601563	LEAD RAIL 5003 3.00M	76,82
	1500601564	LEAD RAIL 5003 3.50M	90,06
	1500601565	LEAD RAIL 5003 4.00M	121,05
	1500601566	LEAD RAIL 5003 4.50M	133,96
	1500601581	LEAD RAIL 5003 ANO 1.90M	51,57
	1500601582	LEAD RAIL 5003 ANO 2.30M	60,80
	1500601583	LEAD RAIL 5003 ANO 2.60M	67,27
	1500601584	LEAD RAIL 5003 ANO 3.00M	77,97
	1500601585	LEAD RAIL 5003 ANO 3.50M	91,43
	1500601586	LEAD RAIL 5003 ANO 4.00M	123,34
	1500601587	LEAD RAIL 5003 ANO 4.50M	139,04
5	1500601617	FABRIC 1.90M 5003 03 BL SK	112,00
	1500601618	FABRIC 1.90M 5003 04 AL GR	112,00
	1500601622	FABRIC 1.90M 5003 22 RAL 9002	112,00
	1500601624	FABRIC 1.90M 5003 31 MY GR	112,00
	1500601625	FABRIC 1.90M 5003 32 SA BL	112,00
	1500601626	FABRIC 2.30M 5003 03 BL SK	155,85
	1500601627	FABRIC 2.30M 5003 04 AL GR	155,85
	1500601631	FABRIC 2.30M 5003 22 RAL 9002	155,85
	1500601633	FABRIC 2.30M 5003 31 MY GR	155,85
	1500601634	FABRIC 2.30M 5003 32 SA BL	155,85
	1500601635	FABRIC 2.60M 5003 03 BL SK	175,66
	1500601636	FABRIC 2.60M 5003 04 AL GR	175,66
	1500601640	FABRIC 2.60M 5003 22 RAL9002	175,66
	1500601642	FABRIC 2.60M 5003 31 MY GR	175,66
	1500601643	FABRIC 2.60M 5003 32 SA BL	175,66
	1500601644	FABRIC 3.00M 5003 03 BL SK	195,39
	1500601645	FABRIC 3.00M 5003 04 AL GR	195,39
	1500601649	FABRIC 3.00M 5003 22 RAL9002	195,39
	1500601651	FABRIC 3.00M 5003 31 MY GR	195,39
	1500601652	FABRIC 3.00M 5003 32 SA BL	195,39
	1500601653	FABRIC 3.50M 5003 03 BL SK	217,33
	1500601654	FABRIC 3.50M 5003 04 AL GR	217,33
	1500601655	FABRIC 3.50M 5003 18 BA TU	217,33

SPARE PARTS

THULE
SWEDEN

Price List 2012

5003

5AF611

	1500601656	FABRIC 3.50M 5003 20 MI GR	217,33
	1500601657	FABRIC 3.50M 5003 21 OR	217,33
	1500601658	FABRIC 3.50M 5003 22 RAL9002	217,33
	1500601660	FABRIC 3.50M 5003 31 MY GR	217,33
	1500601661	FABRIC 3.50M 5003 32 SA BL	217,33
	1500601662	FABRIC 4.00M 5003 03 BL SK	239,31
	1500601663	FABRIC 4.00M 5003 04 AL GR	239,31
	1500601667	FABRIC 4.00M 5003 22 RAL 9002	239,31
	1500601669	FABRIC 4.00M 5003 31 MY GR	239,31
	1500601670	FABRID 4.00M 5003 32 SA BL	239,31
	1500601671	FABRIC 4.50M 5003 03 BL SK	258,07
	1500601672	FABRIC 4.50M 5003 04 AL GR	258,07
	1500601676	FABRIC 4.50M 5003 22 RAL 9002	258,07
	1500601678	FABRIC 4.50M 5003 31 MY GR	258,07
	1500601679	FABRIC 4.50M 5003 32 SA BL	258,07
6	1500601207	HAND CRANK ASSY SHORT	35,10
7	1500601221	GEAR ASSY+COUPL.FUNN 5003	37,80
8	1500601589	LH+RH ENDCAP MAINHOUSING 5003	7,81
	1500601590	LH + RH ENDC MAINHOUS 5003 ANO	24,62
9	1500601591	LH+RH ENDCAP LEADRAIL 5003	7,21
	1500601592	LH+RH ENDCAP LEADRAIL 5003 ANO	21,29
10	1500601594	LH ENDPLATE ASSY 5003	10,37
11	1500601595	RH ENDPLATE ASSY 5003	10,37
12	1500601596	LH+RH LOCK ASSY 5003	4,70
13	1500601597	LH+RH ENDCAP ROLLER TUBE D52 (4,00-4,50M)	12,86
	1500601267	LH+RH ENDCAP ROLLER TUBE D48 (<3,50M)	12,86
14	1500601598	SUPPORT ROLLER TUBE 5003	8,90
15	1500601602	LH+RH CONN SUPPORT ARM 5003	3,06
16	1500601606	INSERT LEAD RAIL 5003 2PC	2,73
17	1500601607	GLIDING ANGLE LEAD RAIL	2,62
18	1500601588	SUPPORT ARM V2 1.90M	60,80
	1500601609	SUPPORT ARM V2 2.30M	60,80
	1500601960	SUPPORT ARM V2 2.60M XL	60,80
	1500601611	SUPPORT ARM V2 3.00M	55,00
	1500601612	SUPPORT ARM V2 3.50-4.50M	55,00
19	1500602074	L.H. SPRING ARM COMPL. 5003 - 1,90M	115,44
	1500602076	L.H. SPRING ARM COMPL. 5003 - 2,30M	122,72
	1500602078	L.H. SPRING ARM COMPL. 5003 - 2,60M	125,22
	1500602080	L.H. SPRING ARM COMPL. 5003 ≥3,00M	130,42
20	1500602075	R.H. SPRING ARM COMPL. 5003 - 1,90M	115,44
	1500602077	R.H. SPRING ARM COMPL. 5003 - 2,30M	122,72
	1500602079	R.H. SPRING ARM COMPL. 5003 - 2,60M	125,22
	1500602081	R.H. SPRING ARM COMPL. 5003 ≥3,00M	130,42
21	1500601608	CONNECTION PCS TENS RAFT 5003	5,35
22	1500601789	CENTRAL CLAMP SUPPORT ARM V2	2,60
23	1500602327	POSITIONER SPRING ARM - 2PC	5,98
24	1500601601	LH+RH CONN LEAD RAIL 5003	12,00

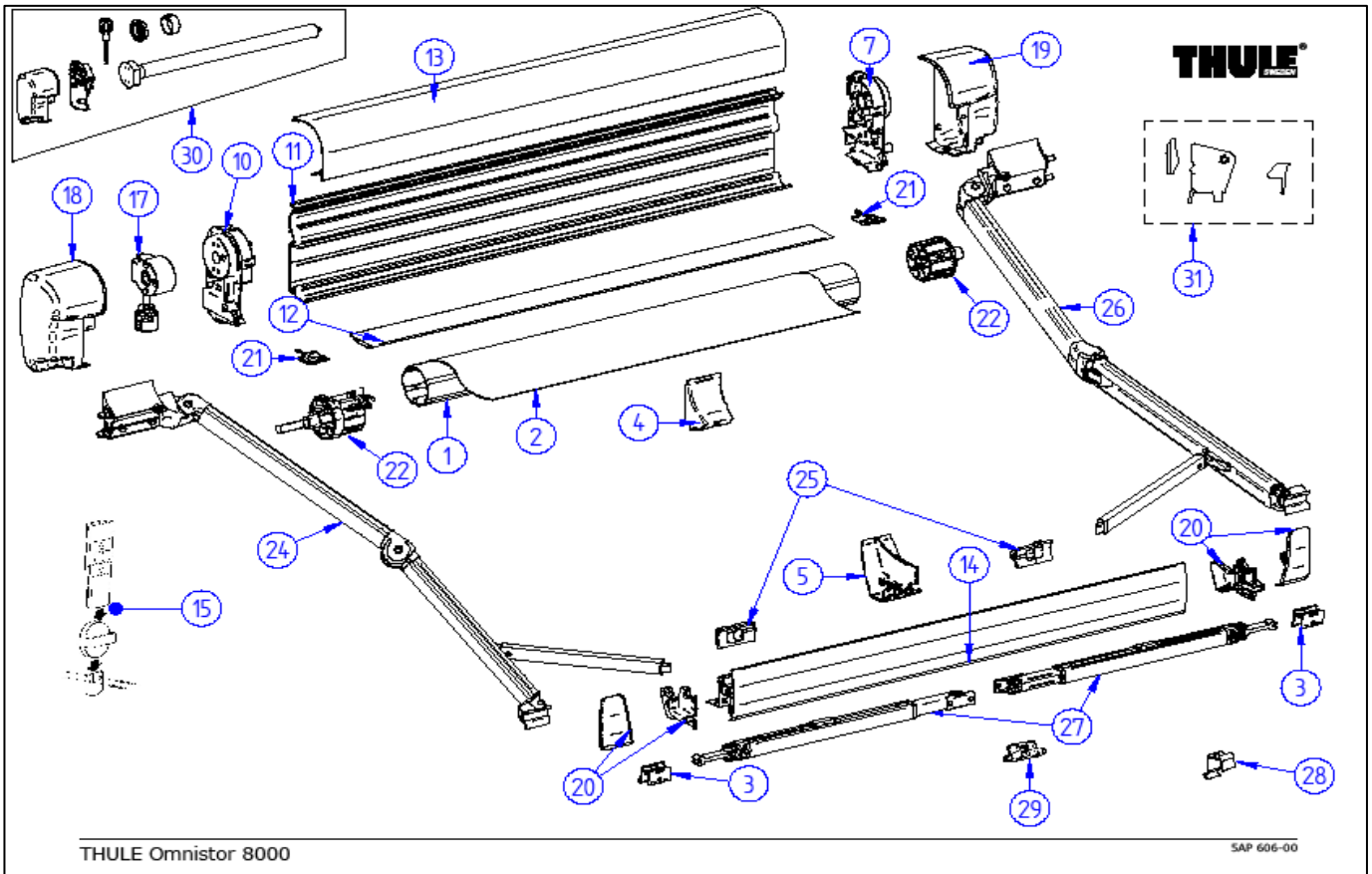
SPARE PARTS

THULE
SWEDEN

Price List 2012

8000

5AP606



	ART.NR.	DESCRIPTION	End consumer € / Excl.VAT
1	1500601797	ROLLER TUBE 70 / 8000 -3,50M	55,09
	1500601798	ROLLER TUBE 70 / 8000 -4,00M	55,09
	1500601799	ROLLER TUBE 70 / 8000 -4,50M	62,30
	1500601800	ROLLER TUBE 70 / 8000 -5,00M	69,49
	1500601801	ROLLER TUBE 70 / 8000 -5,50M	76,70
	1500601802	ROLLER TUBE 70 / 8000 -6,00M	83,89
2	1500601825	FABRIC 8000 3,50M 03	217,33
	1500601826	FABRIC 8000 3,50M 04	217,33
	1500601830	FABRIC 8000 3,50M 22	217,33
	1500601832	FABRIC 8000 3,50M 31	217,33
	1500601833	FABRIC 8000 3,50M 32	217,33
	1500600077	FABRIC 4.00M 8000 03	263,26
	1500600078	FABRIC 4.00M 8000 04	263,26
	1500600082	FABRIC 4.00M 8000 22 RAL 9002	263,26
	1500601701	FABRIC 4.00M 8000 31	263,26
	1500601702	FABRIC 4.00M 8000 32	263,26
	1500600084	FABRIC 4.50M 8000 03	287,39
	1500600085	FABRIC 4.50M 8000 04	287,39
	1500600089	FABRIC 4.50M 8000 22 RAL 9002	287,39
	1500601703	FABRIC 4.50M 8000 31	287,39
	1500601704	FABRIC 4.50M 8000 32	287,39
	1500600092	FABRIC 5.00M 8000 03	311,55
	1500600093	FABRIC 5.00M 8000 04	311,55

SPARE PARTS

THULE
SWEDEN

Price List 2012

8000

5AP606

	1500600097	FABRIC 5.00M 8000 22 RAL 9002	311,55
	1500601705	FABRIC 5.00M 8000 31	311,55
	1500601706	FABRIC 5.00M 8000 32	311,55
	1500600099	FABRIC 5.50M 8000 03	335,62
	1500600100	FABRIC 5.50M 8000 04	335,62
	1500600104	FABRIC 5.50M 8000 22 RAL 9002	335,62
	1500601707	FABRIC 5.50M 8000 31	335,62
	1500601708	FABRIC 5.50M 8000 32	335,62
	1500600106	FABRIC 6.00M 8000 03	359,69
	1500600107	FABRIC 6.00M 8000 04	359,69
	1500600111	FABRIC 6.00M 8000 22 RAL 9002	359,69
	1500601686	FABRIC 6.00M 8000 31	359,69
	1500601709	FABRIC 6.00M 8000 32	359,69
3	1500600296	CONNECT. SUPP. ARM	3,67
4	1500600325	LEAD RAIL HOLD DOWN 8000	3,76
5	1500600326	GLIDING ANGLE LEAD RAIL 8000	2,47
6	1500600863	RELAIS + FEET MOTOR 8000 220V	26,45
7	1500600865	RH MAIN HOUS.END PL. ASSY 8000	22,92
	1500600867	RH ENDPLATE 8000 220V	14,11
8	1500601834	L.H. END PLATE ASSY 8000-220V	24,68
9	1500601259	LH+RH CONN.LEAD RAIL	22,45
10	1500600871	L.H. END PLATE ASSY 8000	24,68
11	1500602049	BACK HOUSING 8000 - 3,50M	151,34
	1500600890	BACK HOUSING 8000 - 4.00 M	151,34
	1500600891	BACK HOUSING 8000 - 4.50M	170,26
	1500600892	BACK HOUSING 8000 - 5.00M	189,24
	1500600893	BACK HOUSING 8000 - 5.50M	208,05
	1500600894	BACK HOUSING 8000 - 6.00M	227,03
	1500602050	BACK HOUSING 8000 ANO - 3,50M	151,34
	1500600910	BACK HOUSING 8000 ANO - 4.00M	151,34
	1500600911	BACK HOUSING 8000 ANO - 4.50M	170,26
	1500600912	BACK HOUSING 8000 ANO - 5.00M	189,24
	1500600913	BACK HOUSING 8000 ANO 5.50M	208,05
	1500600914	BACK HOUSING 8000 ANO - 6.00M	227,03
	1500602289	BACK HOUSING 8000 - 4.00 M RAL9002	151,34
	1500602290	BACK HOUSING 8000 - 4.50 M RAL9002	170,26
	1500602291	BACK HOUSING 8000 - 5.00 M RAL9002	189,24
	1500602292	BACK HOUSING 8000 - 5.50 M RAL9002	208,05
	1500602293	BACK HOUSING 8000 - 6.00 M RAL9002	227,03
12	1500602051	MAINHOUSING BOTTOM 8000 - 3,50M	37,50
	1500600895	MAINHOUSING BOTTOM 8000 - 4.00M	37,50
	1500600896	MAINHOUSING BOTTOM 8000 - 4.50M	42,26
	1500600897	MAINHOUSING BOTTOM 8000 - 5.00M	47,02
	1500600898	MAINHOUSING BOTTOM 8000 - 5.50M	52,89
	1500600899	MAINHOUSING BOTTOM 8000 - 6.00M	58,77
	1500602052	MAINHOUSING BOTTOM 8000 ANO - 3,50M	37,50
	1500600915	MAINHOUSING BOTTOM 8000 ANO - 4.00M	37,50
	1500600916	MAINHOUSING BOTTOM 8000 ANO - 4.50M	42,26
	1500600917	MAINHOUSING BOTTOM 8000 ANO - 5.00M	47,02

SPARE PARTS

THULE
SWEDEN

Price List 2012

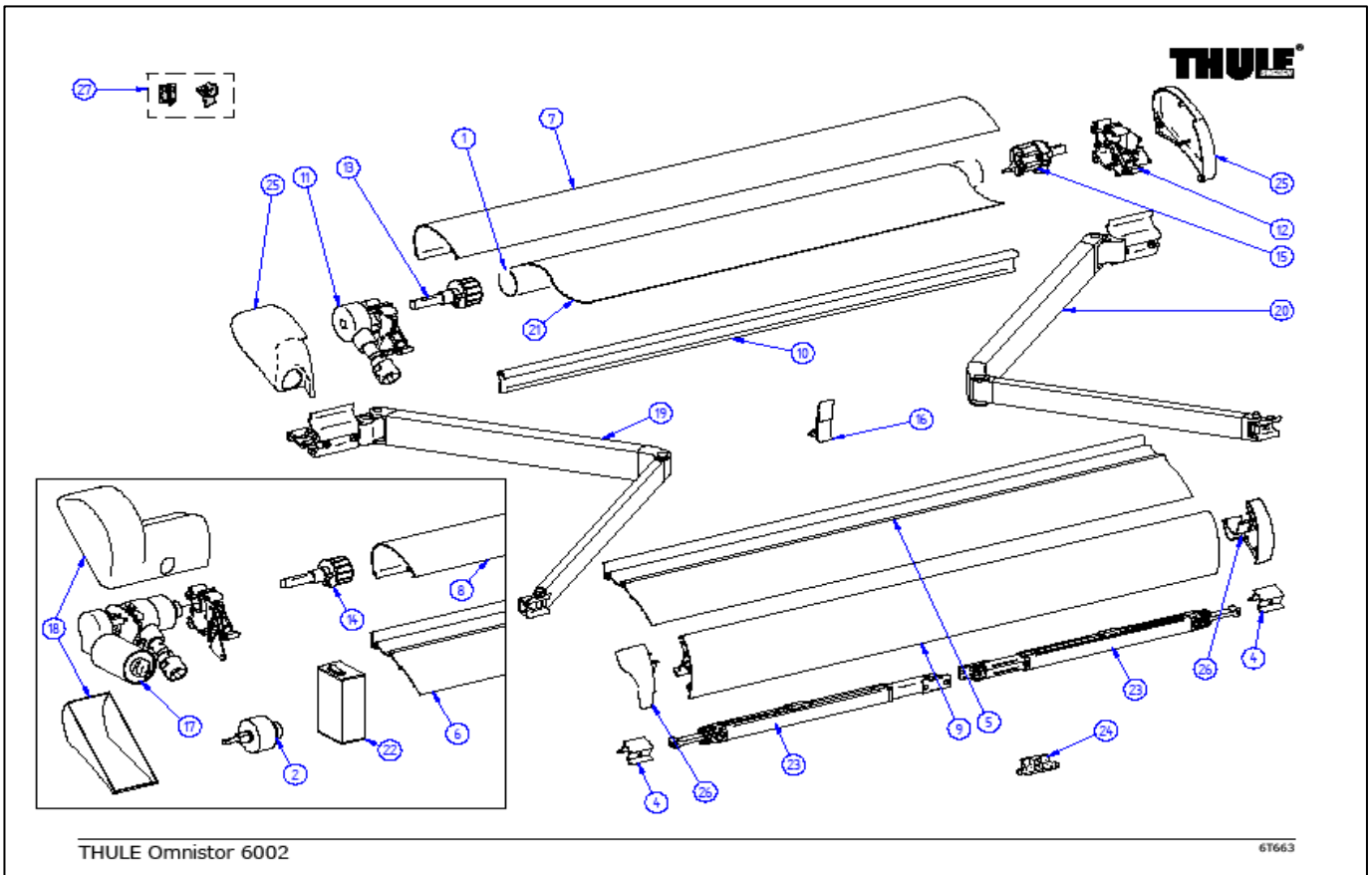
8000

5AP606

	1500600918	MAINHOUSING BOTTOM 8000 ANO - 5.50M	52,89
	1500600919	MAINHOUSING BOTTOM 8000 ANO - 6.00M	58,77
	1500602294	MAINHOUSING BOTTOM 8000 RAL9002 - 4.00M	37,50
	1500602295	MAINHOUSING BOTTOM 8000 RAL9002 - 4.50M	42,26
	1500602296	MAINHOUSING BOTTOM 8000 RAL9002 - 5.00M	47,02
	1500602297	MAINHOUSING BOTTOM 8000 RAL9002 - 5.50M	52,89
	1500602298	MAINHOUSING BOTTOM 8000 RAL9002 - 6.00M	58,77
13	1500602053	ROOFHOUSING 8000 - 3,50M	100,21
	1500600900	ROOFHOUSING 8000 - 4.00M	100,21
	1500600901	ROOFHOUSING 8000 - 4.50M	112,90
	1500600902	ROOFHOUSING 8000 - 5.00M	125,54
	1500600903	ROOFHOUSING 8000 - 5.50M	138,17
	1500600904	ROOFHOUSING 8000 - 6.00M	150,87
	1500602054	ROOFHOUSING 8000 ANO - 3,50M	100,21
	1500600920	ROOFHOUSING 8000 ANO - 4.00M	100,21
	1500600921	ROOFHOUSING 8000 ANO - 4.50M	112,90
	1500600922	ROOFHOUSING 8000 ANO - 5.00M	125,54
	1500600923	ROOFHOUSING 8000 ANO - 5.50M	138,17
	1500600924	ROOFHOUSING 8000 ANO - 6.00M	150,87
	1500602299	ROOFHOUSING 8000 RAL9002 - 4.00M	100,21
	1500602300	ROOFHOUSING 8000 RAL9002 - 4.50M	112,90
	1500602301	ROOFHOUSING 8000 RAL9002 - 5.00M	125,54
	1500602302	ROOFHOUSING 8000 RAL9002 - 5.50M	138,17
	1500602303	ROOFHOUSING 8000 RAL9002 - 6.00M	150,87
14	1500602055	LEADRAIL 8000 - 3,50M	141,58
	1500600905	LEADRAIL 8000 - 4.00M	141,58
	1500600906	LEADRAIL 8000 - 4.50M	159,56
	1500600907	LEADRAIL 8000 - 5.00M	177,55
	1500600908	LEADRAIL 8000 - 5.50M	195,53
	1500600909	LEADRAIL 8000 - 6.00M	211,69
	1500602056	LEADRAIL 8000 ANO - 3,50M	141,58
	1500600925	LEADRAIL 8000 ANO - 4.00M	141,58
	1500600926	LEADRAIL 8000 ANO - 4.50M	159,56
	1500600927	LEADRAIL 8000 ANO - 5.00M	177,55
	1500600928	LEADRAIL 8000 ANO - 5.50M	195,53
	1500600929	LEADRAIL 8000 ANO - 6.00M	211,69
	1500602304	LEAD RAIL 8000 - 4,00M RAL9002	141,58
	1500602305	LEAD RAIL 8000 - 4,50M RAL9002	159,56
	1500602306	LEAD RAIL 8000 - 5,00M RAL9002	177,55
	1500602283	LEAD RAIL 8000 - 5,50M RAL9002	195,53
	1500602308	LEAD RAIL 8000 - 6,00M RAL9002	211,69
15	1500601129	REMOTE CONTROL 8000 220V	82,28
16	1500601207	HAND CRANK ASSY SHORT	35,10
17	1500601210	GEAR ASSY+COUPLING FUNNEL 8000	37,80
18	1500601249	LH ENDCAP MAINHOUSING 8000	7,88
	1500601250	LH ENDCAP MAINHOUSING 8000 ANO	21,16
	1500602286	LH ENDCAP MAINHOUSING 8000 RAL9002	21,16
19	1500601251	RH ENDCAP MAINHOUSING 8000	7,88
	1500601252	RH ENDCAP MAINHOUSING 8000 ANO	21,16

SPARE PARTS**THULE**
SWEDEN**Price List 2012****8000****5AP606**

	1500602287	RH ENDCAP MAINHOUSING 8000 RAL9002	21,16
20	1500601254	LH+RH LEAD RAIL END PLATE 8000	7,41
	1500601255	LH+RH LEAD RAIL ENDPL.8000 ANO	19,98
	1500602288	LH+RH LEAD RAIL ENDPL.8000 RAL9002	19,98
21	1500601256	LH+RH SIDE CAP MH BOTTOM 8000	4,11
	1500601257	LH+RH SIDECAP MH BOTT.8000 ANO	11,75
22	1500601258	LH+RH ROLLER TUBE ASSY 8000	11,75
23	1500601260	LH ENDCAP MH 8000 220V	7,88
	1500601261	LH ENDCAP MH 8000 220V ANO	21,16
24	1500602059	L.H. SPRING ARM COMPL. 8000 ≥4,00M	161,20
	1500602057	L.H. SPRING ARM 8000 - 3,50M	156,00
25	1500601298	LH & RH GLIDING PIECES TENSION ARMS	17,63
26	1500602060	R.H.SPR.ARM COMPL. 8000 ≥4,00M	161,20
	1500602058	RH. SPRING ARM 8000 - 3,50M	156,00
27	1500601612	SUPPORT ARM V2 3.50M	55,00
	1500601312	SUPPORT ARM V2 LARGE	60,80
28	1500602342	ANTI RATTILING SUPPORT ARM	5,98
29	1500601789	CENTRAL CLAMP SUPPORT ARM V2	2,60
30	307924	220V MOTOR 8000 WHITE	292,00
	307925	220V MOTOR 8000 ANO	303,00
31	1500601533	SPRING ARM PROTECTION KIT 8000	6,00
32	1500602375	EMERGENCY HAND CRANK 8000	19,00



THULE Omnistor 6002

6T663

	ART.NR.	DESCRIPTION	End consumer € / Excl.VAT
1	1500601876	ROLLER TUBE 48 6002 -2,6M	22,76
	1500601877	ROLLER TUBE 48 6002 -3,0M	25,95
	1500601878	ROLLER TUBE 48 6002 -3,25M	30,27
	1500601879	ROLLER TUBE 48 6002 -3,5M	30,27
	1500601880	ROLLER TUBE 48 6002 -3,75M	34,40
	1500602343	ROLLER TUBE 48 6002 -4,00M	34,40
2	1500601131	PLANET. GEAR REPL.KIT(DIN CON)	132,08
3	1500600115	HAND CRANK ASSY LONG	38,49
4	1500600741	CONN.SUPP.ARM S6	3,67
5	1500601881	BACK HOUSING 6002 - 2.60 M	108,23
	1500600953	BACK HOUSING 6002 - 3,00 M	126,86
	1500601754	BACK HOUSING 6002 - 3,25 M	145,44
	1500601729	BACK HOUSING 6002 - 3,50 M	145,44
	1500601882	BACK HOUSING 6002 - 3,75 M	163,69
	1500602329	BACK HOUSING 6002 - 4,00 M	163,69
6	1500601883	BACK HOUSING 6002/12V - 2.60 M	126,86
	1500601884	BACK HOUSING 6002/12V - 3,00 M	145,44
	1500601885	BACK HOUSING 6002/12V - 3,25 M	163,69
	1500601886	BACK HOUSING 6002/12V - 3,50 M	163,69
	1500601887	BACK HOUSING 6002/12V - 3,75 M	177,48
7	1500600954	COVER MAIN HOUSING 6002-2.60M	84,82
	1500600955	COVER MAIN HOUSING 6002-3.00M	97,88
	1500601748	COVER MAIN HOUSING 6002 3.25M	114,13
	1500600956	COVER MAIN HOUSING 6002-3.50M	114,13
	1500600957	COVER MAIN HOUSING 6002-3.75M	131,33

	1500602330	COVER MAIN HOUSING 6002-4.00M	131,33
	1500601907	COVER MAIN HOUSING 6002 - 3.25M ANTH	131,33
	1500601908	COVER MAIN HOUSING 6002 -3,50M ANTH	131,33
	1500601909	COVER MAIN HOUSING 6002 - 3,75M ANTH	153,98
	1500602331	COVER MAIN HOUSING 6002 -4,00M ANTH	153,98
	1500601687	COVER MAIN HOUSING 6002 - 3.25M ANO	113,62
	1500601911	COVER MAIN HOUSING 6002 -3,50M ANO	113,62
	1500601912	COVER MAIN HOUSING 6002 - 3,75M ANO	137,53
	1500602332	COVER MAIN HOUSING 6002-4 .00M ANO	137,53
8	1500601888	COVER MAIN HOUSING 6002/12V - 2.60 M	97,88
	1500601889	COVER MAIN HOUSING 6002/12V - 3,00 M	114,13
	1500601890	COVER MAIN HOUSING 6002/12V - 3,25 M	114,13
	1500601891	COVER MAIN HOUSING 6002/12V - 3,50 M	131,33
	1500601892	COVER MAIN HOUSING 6002/12V - 3,75 M	131,33
9	1500601893	LEAD RAIL 6002 - 2.60 M	103,69
	1500601894	LEAD RAIL 6002 - 3.00 M	119,73
	1500601762	LEAD RAIL 6002 - 3.25M	139,92
	1500600959	LEAD RAIL 6002 - 3.50M	139,92
	1500600960	LEAD RAIL 6002 - 3.75M	161,40
	1500602333	LEAD RAIL 6002 - 4.00 M	161,40
	1500601744	LEAD RAIL 6002 - 3.25M ANTH	161,40
	1500601910	LEAD RAIL 6002 - 3.50M ANTH	161,40
	1500601738	LEAD RAIL 6002 - 3.75M ANTH	176,31
	1500602334	LEAD RAIL 6002 - 4.00 M ANTH	176,31
	1500601913	LEAD RAIL 6002 - 3.25M ANO	139,92
	1500601014	LEAD RAIL 6002 - 3.50M ANO	139,92
	1500601015	LEAD RAIL 6002 - 3.75M ANO	161,40
	1500602335	LEAD RAIL 6002 - 4.00 M ANO	161,40
10	1500601895	SUPPORTING PROFILE 6002 2,60 M	31,20
	1500600961	SUPPORTING PROFILE 6002 3,00 M	31,20
	1500601896	SUPPORTING PROFILE 6002 3,25 M	42,78
	1500601897	SUPPORTING PROFILE 6002 3,50 M	42,78
	1500600962	SUPPORTING PROFILE 6002 3,75 M	42,78
	1500602336	SUPPORTING PROFILE 6002 4,00 M	48,88
11	1500600964	LH MAIN HOUSING END PLATE 6002	64,83
12	1500600965	RH MAIN HOUSING END PLATE 6002	16,47
13	1500600966	LH ROLLER TUBE ASSY M6002	5,74
14	1500600967	LH ROLLER TUBE ASSY 12V6002	5,74
15	1500600968	RH ROLLER TUBE ASSY 6002	8,96
16	1500600969	SUPPORT FABR.PROT.PROF. 6002	14,31
17	1500601716	LH DRIVING UNIT 12V6002	410,14
18	1500600973	MOTOR COVER ASSY 12V6002	28,66
19	1500602070	LH SPRING ARM ASSY 2.60M	125,22
	1500602072	LH SPRING ARM ASSY ≥3,00M	130,42
20	1500602071	RH SPRING ARM ASSY 2.60M	125,22
	1500602073	RH SPRING ARM ASSY ≥3,00M	130,42
21	1500600979	FABRIC 2.60M 6002 03	175,66
	1500600980	FABRIC 2.60M 6002 04	175,66
	1500600984	FABRIC 2.60M 6002 22 RAL 9002	175,66
	1500601898	FABRIC 6002 - 2.60M 31	175,66
	1500601899	FABRIC 6002 - 2.60M 32	175,66

	1500600986	FABRIC 3.00M 6002 03	195,39
	1500600987	FABRIC 3.00M 6002 04	195,39
	1500600992	FABRIC 3.00M 6002 22 RAL 9002	195,39
	1500601733	FABRIC 3.00M 6002 31	195,39
	1500601900	FABRIC 6002 - 3,00M 32	195,39
	1500601009	FABRIC 3.25M 6002 03	217,33
	1500601010	FABRIC 3.25M 6002 04	217,33
	1500601904	FABRIC 6002 - 3,25M 22 RAL 9002	217,33
	1500601905	FABRIC 6002 - 3,25 M 31	217,33
	1500601906	FABRIC 6002 - 3,25 M 32	217,33
	1500600994	FABRIC 3.50M 6002 03	217,33
	1500600995	FABRIC 3.50M 6002 04	217,33
	1500601000	FABRIC 3.50M 6002 22 RAL 9002	217,33
	1500601901	FABRIC 6002 - 3,50 M 31	217,33
	1500601743	FABRIC 3.50M 6002 32	217,33
	1500601002	FABRIC 3.75M 6002 03	239,31
	1500601003	FABRIC 3.75M 6002 04	239,31
	1500601007	FABRIC 3.75M 6002 22 RAL 9002	239,31
	1500601902	FABRIC 6002 - 3,75 M 31	239,31
	1500601903	FABRIC 6002 - 3,75 M 32	239,31
	1500602337	FABRIC 4.00M 6002 03	239,31
	1500602338	FABRIC 4.00M 6002 04	239,31
	1500602339	FABRIC 4.00M 6002 22 RAL 9002	239,31
	1500602340	FABRIC 4.00M 6002 31	239,31
	1500602341	FABRIC 4.00M 6002 32	239,31
22	1500601128	ELECTR CONTR UNIT	177,21
23	1500601960	SUPPORT ARM V2 2.60M XL	60,80
	1500601611	SUPPORT ARM V2 3.00-3,25M	55,00
	1500601612	SUPPORT ARM V2 3.50-4.50M	55,00
24	1500601789	CENTRAL CLAMP SUPPORT ARM V2	2,60
25	1500601367	LH.+RH. SIDECAP 6002	12,54
	1500601369	L+R SIDECAP 6002-ANTHRACITE	31,80
	1500601371	L+R SIDECAP 6002-ANO	31,80
26	1500601368	LH+RH LEAD RAIL END PLATE 6002	7,16
	1500601370	L+R LEADRAIL ENDCAP 6002 ANTR.	25,13
	1500601372	L+R LEADRAIL ENDCAP 6002 - ANO	25,13
27	1500601158	CON.PCE TENSION RAFTER 6002	3,59
28	1500600975	CONNECTION LEAD RAIL LH+RH SERIES 6	20,61

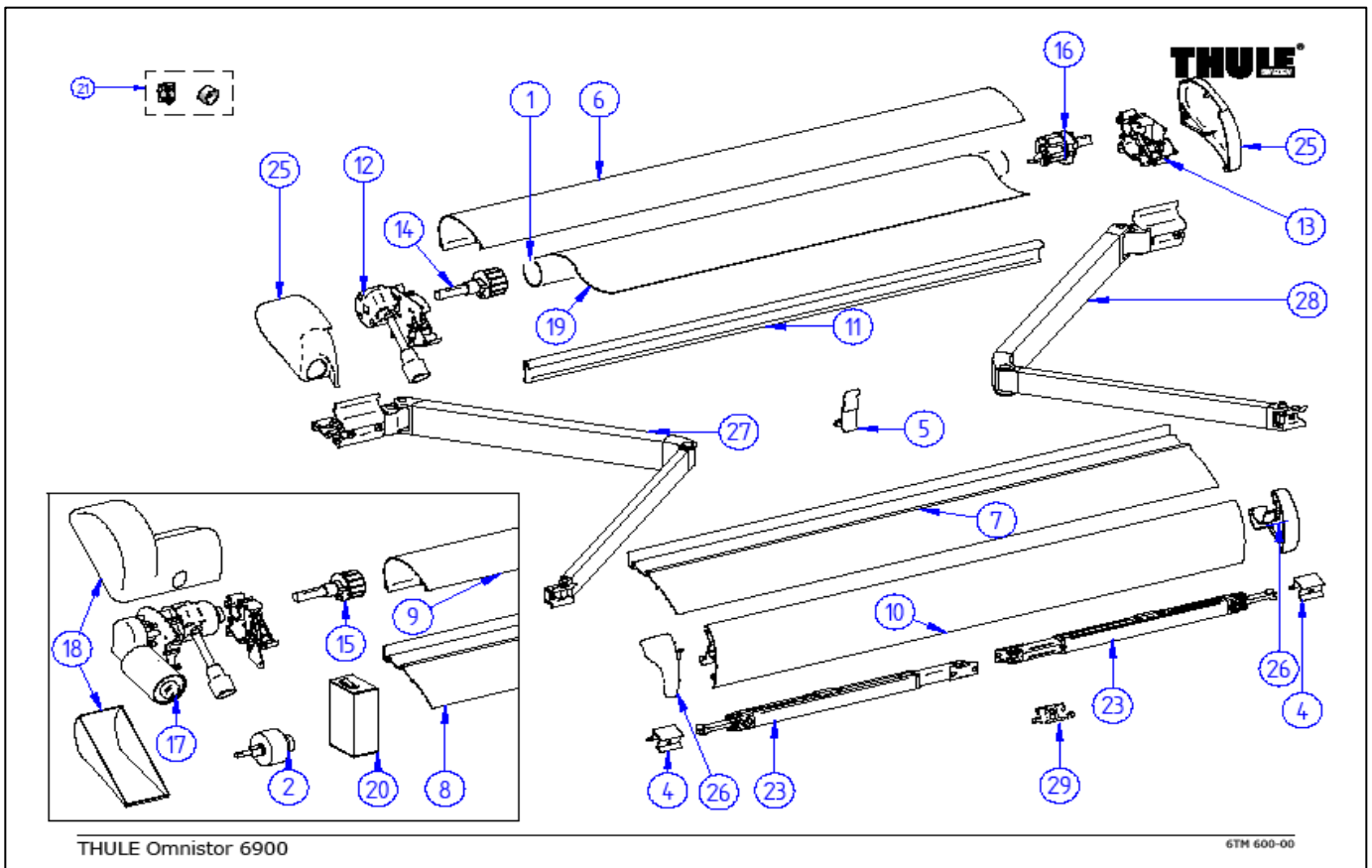
SPARE PARTS

THULE
SWEDEN

Price List 2012

6502 & 6900

6TM600



THULE Omnistor 6900

6TM 600-00

	ART.NR.	DESCRIPTION	End consumer € / Excl.VAT
1	1500601798	ROLLER TUBE D70 4,00M	55,09
	1500601799	ROLLER TUBE D70 4,50M	62,30
	1500601800	ROLLER TUBE D70 5,00M	69,49
	1500601801	ROLLER TUBE D70 5,50M	76,70
2	1500601131	PLANET. GEAR REPL.KIT(DIN CON)	132,08
3	1500600115	HAND CRANK ASSY LONG	38,49
4	1500600741	CONN.SUPP. ARM S6	3,67
5	1500600969	SUPPORT FABR.PROT.PROF. 6002	14,31
6	1500601464	COVER MAIN HOUSING 6900 4.00M	144,48
	1500601018	COVER MAIN HOUSING 6900 4.50M	162,51
	1500601542	COVER MAIN HOUSING 6900 5.00M	180,57
	1500601783	COVER MAIN HOUSING 6900 5,50M	198,65
	1500601926	COVER MAIN HOUSING 6900 4.00M ANO	144,48
	1500601765	COVER MAIN HOUSING 6900 4.50M ANO	162,51
	1500601752	COVER MAIN HOUSING 6900 5.00M ANO	180,57
	1500601929	COVER MAIN HOUSING 6900 5,50M ANO	198,65
	1500602312	COVER MAIN HOUSING 6900 4,00 M RAL9002	144,48
	1500602313	COVER MAIN HOUSING 6900 4,50 M RAL9002	162,51
	1500602314	COVER MAIN HOUSING 6900 5,00 M RAL9002	180,57
	1500602315	COVER MAIN HOUSING 6900 5,50 M RAL9002	198,65
7	1500601016	BACK HOUSING 6900 4,00 M	195,21
	1500601930	BACK HOUSING 6900 4,50 M	219,59
	1500601931	BACK HOUSING 6900 5,00 M	244,02

SPARE PARTS

THULE
SWEDEN

Price List 2012

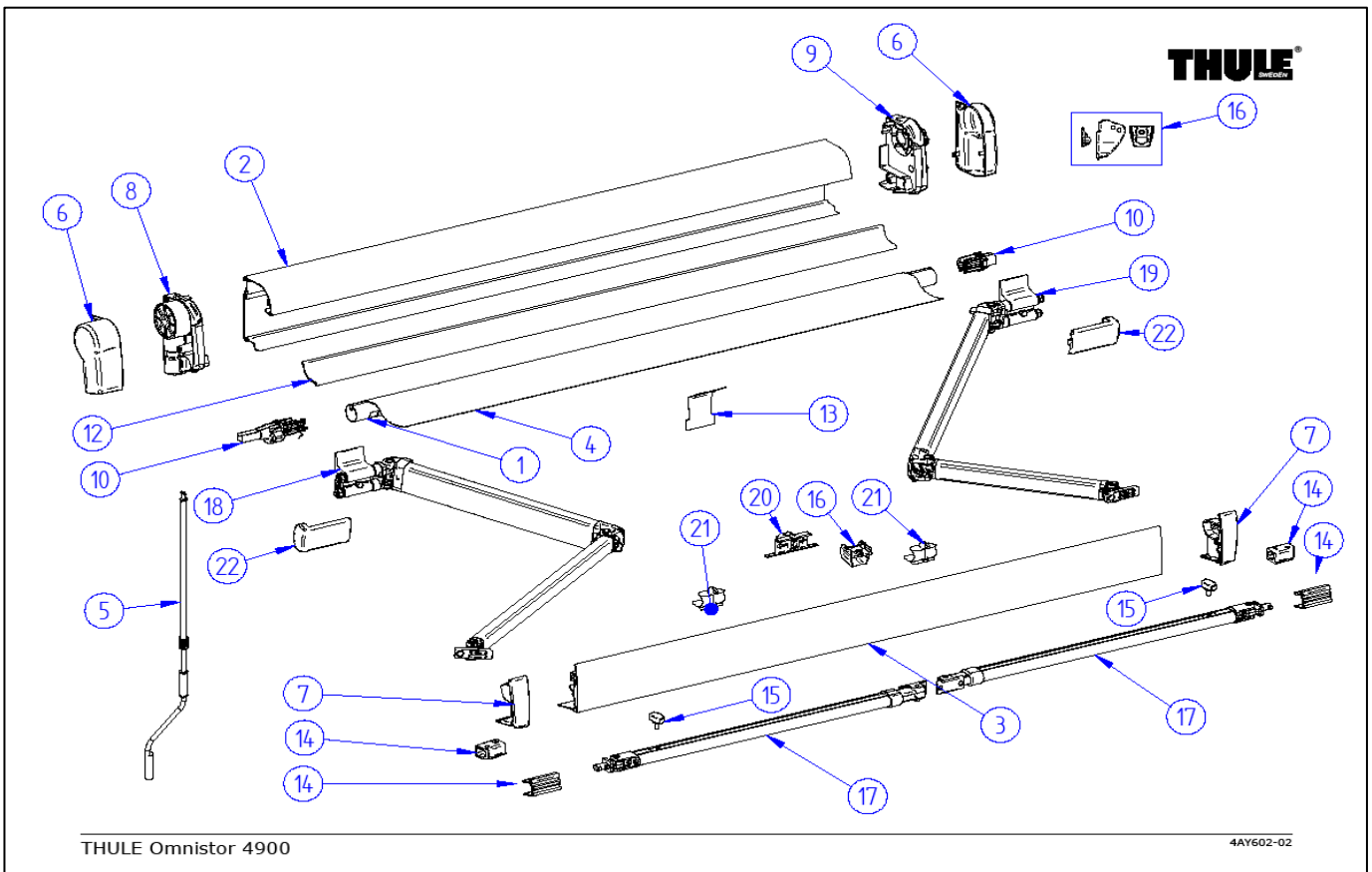
6502 & 6900

6TM600

	1500601932	BACK HOUSING 6900 5,50 M	268,42
8	1500601933	BACK HOUSING 6900 12V 4,00 M	219,59
	1500601017	BACK HOUSING 6900 12V 4,50 M	244,02
	1500601934	BACK HOUSING 6900 12V 5,00 M	268,42
	1500601935	BACK HOUSING 6900 12V 5,50 M	268,42
9	1500601936	COVER MAIN HOUSING 6900 12V 4.00M	162,51
	1500601937	COVER MAIN HOUSING 6900 12V 4.50M	180,57
	1500601019	COVER MAIN HOUSING 6900 12V 5.00M	198,65
	1500601938	COVER MAIN HOUSING 6900 12V 5,50M	198,65
	1500601939	COVER MAIN HOUSING 6900 12V 4.00M ANO	162,51
	1500601940	COVER MAIN HOUSING 6900 12V 4.50M ANO	180,57
	1500601941	COVER MAIN HOUSING 6900 12V 5.00M ANO	198,65
	1500601942	COVER MAIN HOUSING 6900 12V 5,50M ANO	198,65
	1500602316	COVER MAIN HOUS.6900/12V - 4,00 M RAL9002	162,51
	1500602317	COVER MAIN HOUS.6900/12V - 4,50 M RAL9002	180,57
	1500602318	COVER MAIN HOUS.6900/12V - 5,00 M RAL9002	198,65
	1500602319	COVER MAIN HOUS.6900/12V - 5,50 M RAL9002	198,65
10	1500601020	LEAD PROFILE 6900 4.00M	177,48
	1500601022	LEAD PROFILE 6900 4.50M	199,89
	1500601024	LEAD PROFILE 6900 5,00M	221,93
	1500601025	LEAD PROFILE 6900 5,50M	244,12
	1500601021	LEAD PROFILE 6900 4.00M ANO	177,48
	1500601023	LEAD PROFILE 6900 4.50M ANO	199,89
	1500601027	LEAD PROFILE 6900 5,00M ANO	221,93
	1500601684	LEAD PROFILE 6900 5,50M ANO	244,12
	1500602320	LEAD RAIL 6900 - 4,00 M RAL9002	177,48
	1500602321	LEAD RAIL 6900 - 4,50 M RAL9002	199,89
	1500602322	LEAD RAIL 6900 - 5,00 M RAL9002	221,93
	1500602323	LEAD RAIL 6900 - 5,50 M RAL9002	244,12
11	1500601026	SUPPORTING PROF. 6900 4,00M	41,48
	1500601943	SUPPORTING PROF. 6900 4,50M	51,95
	1500601944	SUPPORTING PROF. 6900 5,00M	51,95
	1500601945	SUPPORTING PROF. 6900 5,50M	56,98
12	1500601028	LH SIDEPL.+GEAR ASSY 6900	64,83
13	1500601029	RH SIDEPLATE ASSY 6900	26,87
14	1500601030	LH ROL.TUBE END CAP D63 ASSY 6900	21,13
	1500602065	L.H.+R.H. ENDCAP ROLLER TUBE D70 6900	24,96
15	1500601539	LH ROL TUBE END CAP D63 12V 6900	21,13
16	1500601032	RH ROLLER TUBE D63 ASSY 6900	43,44
	1500602065	L.H.+R.H. ENDCAP ROLLER TUBE D70 6900	24,96
17	1500601036	LH SIDEPL.+ MOTOR 12V 6900	410,14
18	1500601037	MOTORCAP 6900 12V (2PCS)	28,66
	1500602047	MOTORCAP 6900 ANO (2PCS)	49,92
19	1500601096	FABRIC 4.00M 6900 03	263,26
	1500601097	FABRIC 4.00M 6900 04	263,26
	1500601101	FABRIC 4.00M 6900 22 RAL 9002	263,26
	1500601946	FABRIC 4.00M 6900 31	263,26
	1500601947	FABRIC 4.00M 6900 32	263,26
	1500601103	FABRIC 4.50M 6900 03	287,39

SPARE PARTS**THULE**[®]
SWEDEN**Price List 2012****6502 & 6900****6TM600**

	1500601104	FABRIC 4.50M 6900 04	287,39
	1500601108	FABRIC 4.50M 6900 22 RAL 9002	287,39
	1500601948	FABRIC 4.50M 6900 31	287,39
	1500601949	FABRIC 4.50M 6900 32	287,39
	1500601110	FABRIC 5.00M 6900 03	311,55
	1500601111	FABRIC 5.00M 6900 04	311,55
	1500601115	FABRIC 5.00M 6900 22 RAL 9002	311,55
	1500601950	FABRIC 5.00M 6900 31	311,55
	1500601951	FABRIC 5.00M 6900 32	311,55
	1500601117	FABRIC 5.50M 6900 03	335,62
	1500601118	FABRIC 5.50M 6900 04	335,62
	1500601122	FABRIC 5.50M 6900 22 RAL 9002	335,62
	1500601952	FABRIC 5.50M 6900 31	335,62
	1500601953	FABRIC 5.50M 6900 32	335,62
20	1500601128	ELECTR CONTR UNIT SERIE 5&6	177,21
21	1500601159	CONNECTION PIECE TR 6502/6900	3,59
22	1500600975	CONNECTION LEAD RAIL LH+RH SERIES 6	20,61
23	1500601312	SUPPORT ARM V2 LARGE	60,80
25	1500601373	LH & RH SIDECAP 6900	10,73
	1500601375	LH & RH SIDECAP 6900 ANO	34,70
	1500602309	LH & RH SIDECAP 6900 RAL9002	34,70
26	1500601374	LH&RH LEADRAIL ENDCAP 6900	7,16
	1500601376	LH&RH LEADRAIL ENDCAP 6900 ANO	22,38
	1500602311	LH&RH LEADRAIL ENDCAP 6900 RAL9002	22,38
27	1500602068	L.H. SPRING ARM COMPL. 6900	135,20
28	1500602069	R.H. SPRING ARM COMPL. 6900	135,20
29	1500601789	CENTRAL CLAMP SUPPORT ARM V2	2,60



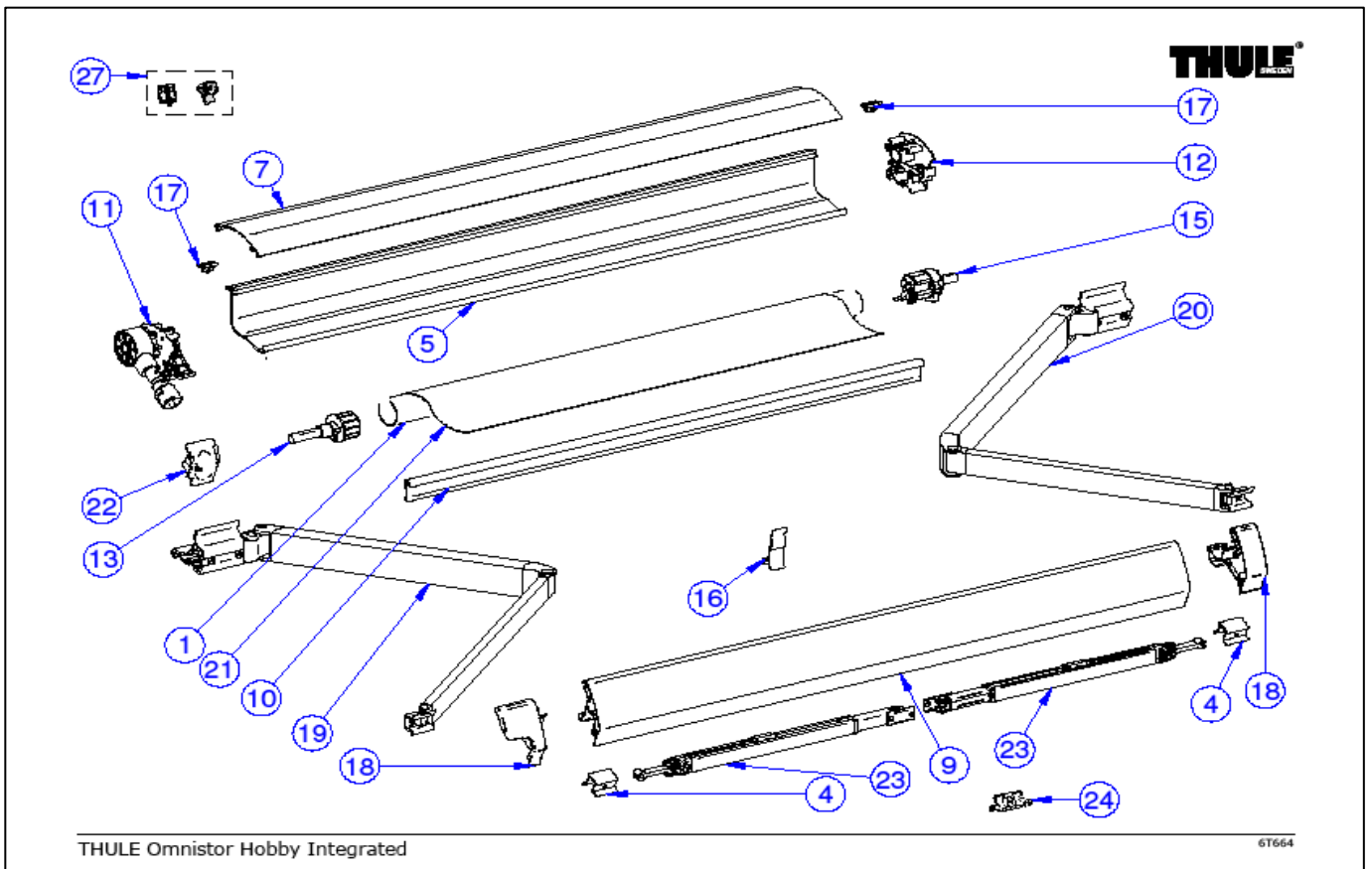
THULE Omnistor 4900

4AY602-02

	ART.NR.	DESCRIPTION	End consumer € / Excl.VAT
1	1500602186	ROLLER TUBE D=30X0.8MM / TRISTOR ² -3.00M	45,60
	1500602187	ROLLER TUBE D=30X0.8MM / TRISTOR ² -3.50M	51,90
	1500602188	ROLLER TUBE D=30X0.8MM / TRISTOR ² -4.00M	58,19
	1500602189	ROLLER TUBE D=30X0.8MM / TRISTOR ² -4.50M	64,48
2	1500602190	MAINHOUSING TRISTOR ² 3M00 WHITE	125,84
	1500602191	MAINHOUSING TRISTOR ² 3M50 WHITE	140,40
	1500602192	MAINHOUSING TRISTOR ² 4M00 WHITE	167,44
	1500602193	MAINHOUSING TRISTOR ² 4M50 WHITE	182,00
	1500602198	MAINHOUSING TRISTOR ² 3M00 ANO	125,84
	1500602199	MAINHOUSING TRISTOR ² 3M50 ANO	140,40
	1500602200	MAINHOUSING TRISTOR ² 4M00 ANO	167,44
	1500602201	MAINHOUSING TRISTOR ² 4M50 ANO	182,00
3	1500602194	LEADRAIL TRISTOR ² 3M00 WHITE	90,84
	1500602195	LEADRAIL TRISTOR ² 3M50 WHITE	104,57
	1500602196	LEADRAIL TRISTOR ² 4M00 WHITE	119,08
	1500602197	LEADRAIL TRISTOR ² 4M50 WHITE	120,95
	1500602248	LEADRAIL TRISTOR ² 3M00 ANO	90,84
	1500602249	LEADRAIL TRISTOR ² 3M50 ANO	104,57
	1500602250	LEADRAIL TRISTOR ² 4M00 ANO	119,08
	1500602251	LEADRAIL TRISTOR ² 4M50 ANO	120,95
4	1500602236	FABRIC 3M00 TRISTOR ² GREY	195,40
	1500602237	FABRIC 3M00 TRISTOR ² BLUE	195,40
	1500602238	FABRIC 3M50 TRISTOR ² GREY	217,33

SPARE PARTS**THULE**
SWEDEN**Price List 2012****TRISTOR²****4AY602-02**

	1500602239	FABRIC 3M50 TRISTOR ² BLUE	217,33
	1500602240	FABRIC 4M00 TRISTOR ² GREY	239,31
	1500602241	FABRIC 4M00 TRISTOR ² BLUE	239,31
	1500602242	FABRIC 4M50 TRISTOR ² GREY	258,08
	1500602243	FABRIC 4M50 TRISTOR ² BLUE	258,08
5	1500602210	HAND CRANK SMALL G2	35,10
6	1500602211	LH + RH ENDCAP MAINHOUSING TRISTOR ² WHITE	11,65
	1500602212	LH + RH ENDCAP MAINHOUSING TRISTOR ² ANO	11,65
7	1500602213	LH + RH ENDCAP LEADRAIL TRISTOR ² WHITE	9,41
	1500602214	LH + RH ENDCAP LEADRAIL TRISTOR ² ANO	9,41
8	1500602215	LH ENDPLATE ASSY TRISTOR ² WHITE	37,49
	1500602216	LH ENDPLATE ASSY TRISTOR ² ANO	37,49
9	1500602217	RH ENDPLATE ASSY TRISTOR ² WHITE	11,60
	1500602218	RH ENDPLATE ASSY TRISTOR ² ANO	11,60
10	1500602219	LH + RH ENDCAP ROLLERTUBE TRISTOR ²	9,22
12	1500602284	SUPPORT ROLLER TUBE 4900 3M00	11,60
	1500602285	SUPPORT ROLLER TUBE 4900 3M50	12,79
	1500602221	SUPPORT ROLLER TUBE TRISTOR ² 4M00	13,99
	1500602222	SUPPORT ROLLER TUBE TRISTOR ² 4M50	15,18
13	1500602223	SPRING SUPPORT ROLLER TUBE TRISTOR ²	5,62
14	1500602224	CONNECTION SUPPORT ARM TRISTOR ²	14,40
15	1500602225	KNOB SUPPORT ARM OVAL (2PCS)	7,18
16	1500602226	INSERT LEAD RAIL TRISTOR ² (2PCS)	5,20
17	1500602227	SUPPORT LEG OVAL 3M00	41,00
	1500602228	SUPPORT LEG OVAL 3M50-4M50	48,00
18	1500602244	L.H. SPRING ARM TRISTOR ² 3,0/3,5M	109,20
	1500602245	L.H. SPRING ARM TRISTOR ² 4,0/4,5M	109,20
19	1500602246	R.H. SPRING ARM TRISTOR ² 3,0/3,5M	109,20
	1500602247	R.H. SPRING ARM TRISTOR ² 4,0/4,5M	109,20
20	1500602233	CENTRAL CLAMP SUPPORT ARM OVAL	3,02
21	1500602233	CLIP SUPPORT ARM OVAL TRISTOR ²	3,02
22	1500602235	LH + RH COVER SPRING ARM BR. TRISTOR ²	5,20



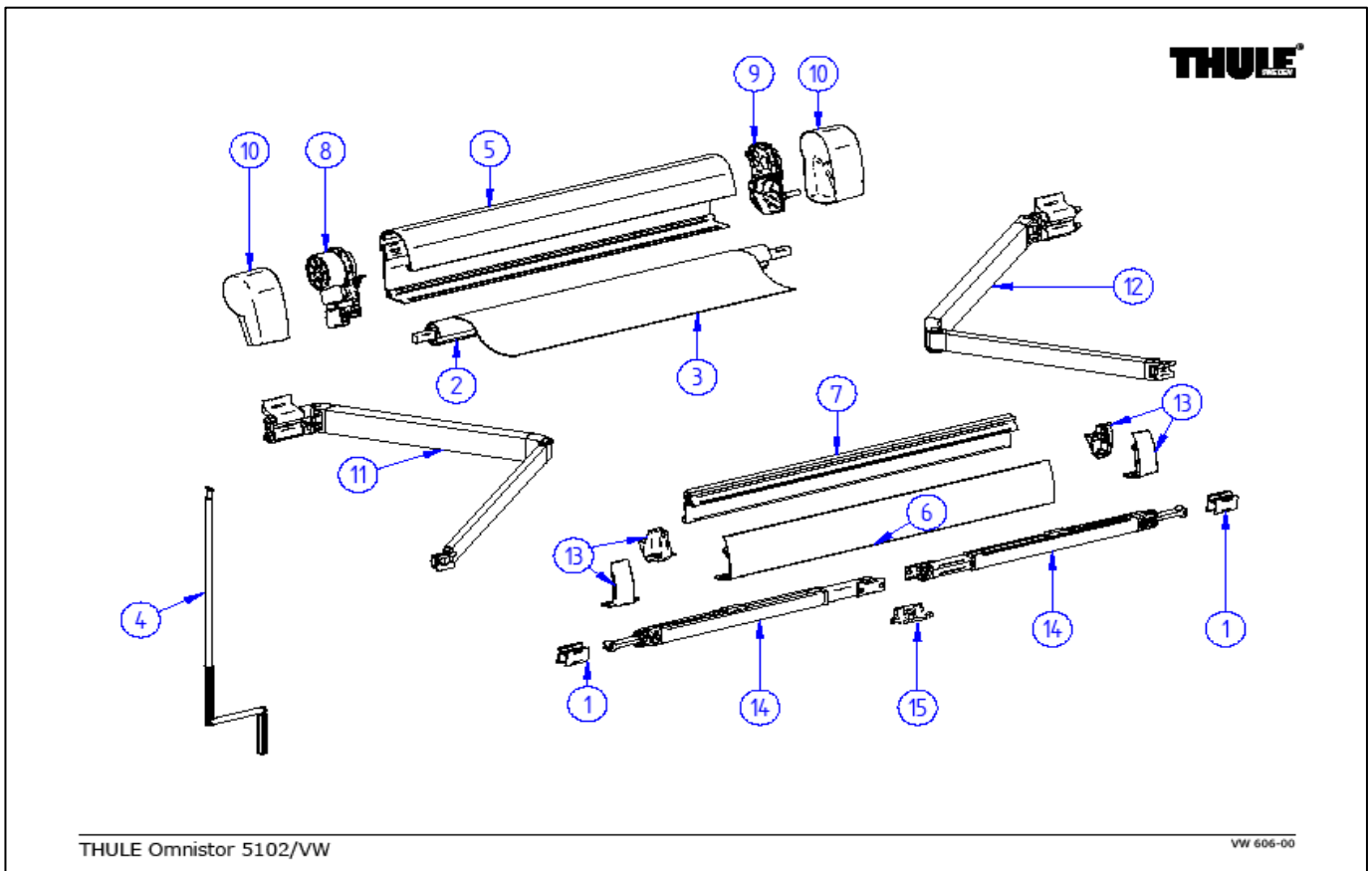
THULE Omnistor Hobby Integrated

6T664

	ART.NR.	DESCRIPTION	End consumer € / Excl.VAT
1	1500601876	ROLLER TUBE 48 6002 -2,60M	22,76
	1500602111	ROLLER TUBE 48 6002 -2,80M	30,27
	1500601878	ROLLER TUBE 48 6002 -3,25M	30,27
	1500601879	ROLLER TUBE 48 6002 -3,50M	30,27
	1500601848	ROLLER TUBE 48 6002 -4,00M	34,40
	1500602112	ROLLER TUBE 48 6002 -4,10M	42,26
3	1500600115	HAND CRANK ASSY LONG	38,49
4	1500600741	CONN.SUPP.ARM S6	3,67
5	1500602113	BACK HOUSING 6002 HOBBY - 2.60 M	108,23
	1500602114	BACK HOUSING 6002 HOBBY - 2.80 M	126,86
	1500602115	BACK HOUSING 6002 HOBBY - 3,25 M	145,44
	1500602116	BACK HOUSING 6002 HOBBY - 3,50 M	145,44
	1500602117	BACK HOUSING 6002 HOBBY - 4,00 M	177,48
	1500602118	BACK HOUSING 6002 HOBBY - 4,10 M	177,48
7	1500602119	COVER HOUSING 6002 HOBBY - 2.60 M FFW	84,82
	1500602120	COVER HOUSING 6002 HOBBY - 2.80 M FFW	97,88
	1500602121	COVER HOUSING 6002 HOBBY - 3,25 M FFW	113,62
	1500602122	COVER HOUSING 6002 HOBBY - 3,50 M FFW	113,62
	1500602123	COVER HOUSING 6002 HOBBY - 2.80 M DW	97,88
	1500602124	COVER HOUSING 6002 HOBBY - 3,50 M DW	113,62
	1500602125	COVER HOUSING 6002 HOBBY - 4,00 M DW	131,33
	1500602126	COVER HOUSING 6002 HOBBY - 4,10 M DW	131,33
9	1500602127	LEAD RAIL 6002 - 2.60 M FFW	141,44

SPARE PARTS**THULE**
SWEDEN**Price List 2012****6002 HOBBY****6T664**

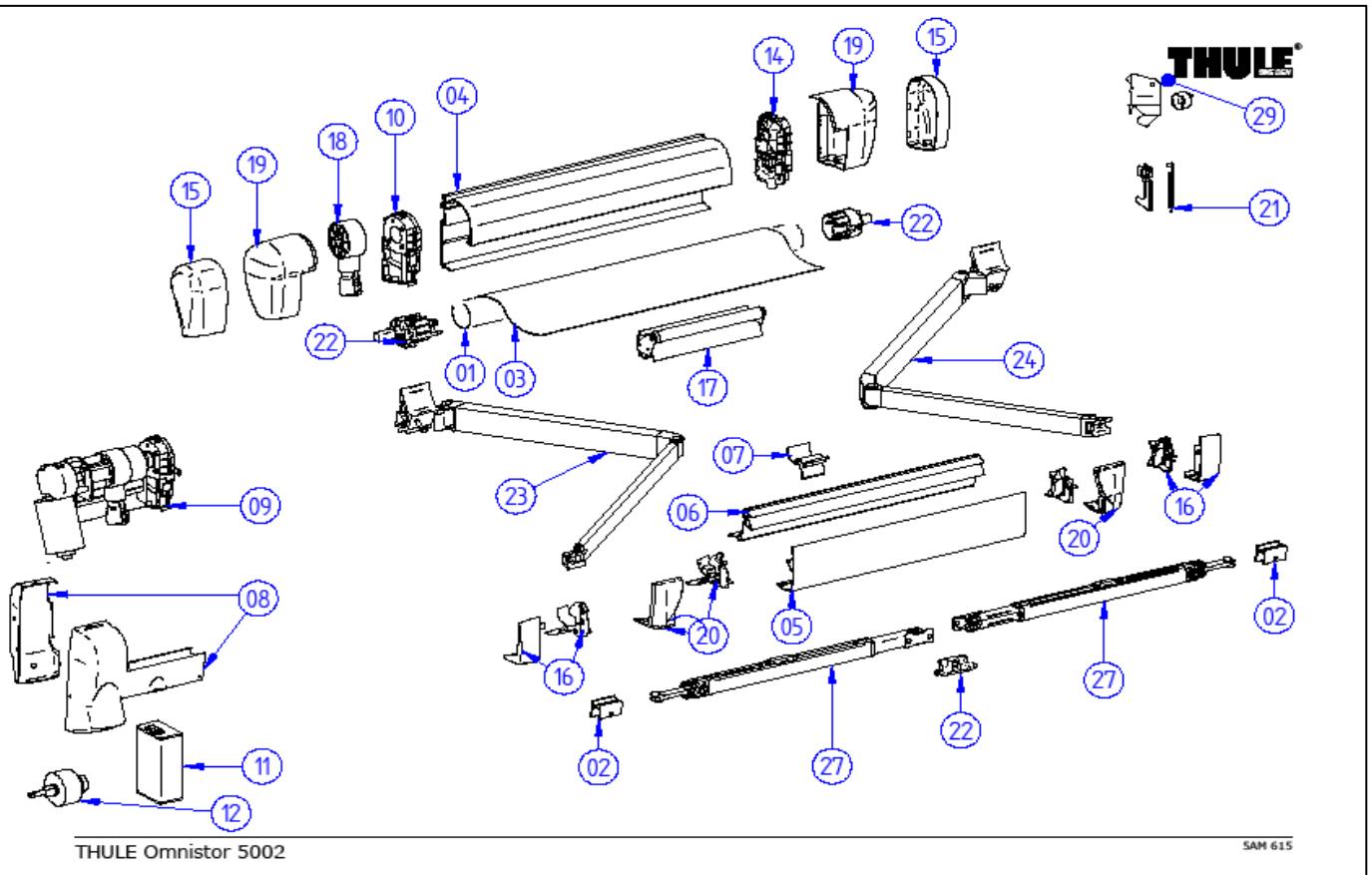
	1500602128	LEAD RAIL 6002 - 2.80 M FFW	141,44
	1500602129	LEAD RAIL 6002 - 3,25 M FFW	173,68
	1500602130	LEAD RAIL 6002 - 3,50 M FFW	173,68
	1500602131	LEAD RAIL 6002 - 2.80 M DW	141,44
	1500602132	LEAD RAIL 6002 - 3,50 M DW	202,8
	1500602133	LEAD RAIL 6002 - 4,00 M DW	202,8
	1500602134	LEAD RAIL 6002 - 4,10 M DW	202,8
10	1500601895	SUPPORTING PROFILE 6002 2,60 M	31,20
	1500602135	SUPPORTING PROFILE 6002 2,80 M	31,20
	1500601896	SUPPORTING PROFILE 6002 3,25 M	42,78
	1500601897	SUPPORTING PROFILE 6002 3,50 M	42,78
	1500602136	SUPPORTING PROFILE 6002 4,00 M	48,88
	1500602137	SUPPORTING PROFILE 6002 4,10 M	48,88
11	1500602138	LH MAIN HOUSING END PLATE 6002 HOBBY	64,83
12	1500602139	RH MAIN HOUSING END PLATE 6002 HOBBY	24,34
13	1500600966	LH ROLLER TUBE ASSY 6002	5,74
15	1500600968	RH ROLLER TUBE ASSY 6002	8,96
16	1500600969	SUPPORT FABR.PROT.PROF. 6002	14,31
17	1500602145	FIXATION PIECE COVER (2PCS)	6,24
18	1500602146	LH + RH LEAD RAIL END PLATE 6002 HOBBY	13,48
19	1500602070	LH SPRING ARM ASSY 2.60M	125,22
	1500602143	LH SPRING ARM ASSY 2.80M	130,42
	1500602072	LH SPRING ARM ASSY ≥3,00M	130,42
20	1500602071	RH SPRING ARM ASSY 2.60M	125,22
	1500602144	RH SPRING ARM ASSY 2.80M	130,42
	1500602073	RH SPRING ARM ASSY ≥3,00M	130,42
21	1500600980	FABRIC 6002 - 2.60 M 04	175,66
	1500602140	FABRIC 6002 - 2.80 M 04	195,38
	1500601010	FABRIC 6002 - 3,25 M 04	217,33
	1500600995	FABRIC 6002 - 3,50 M 04	217,33
	1500602141	FABRIC 6002 - 4,00 M 04	239,31
	1500602142	FABRIC 6002 - 4,10 M 04	239,31
22	1500602147	COVER GEAR 6002 HOBBY	6,24
23	1500601960	SUPPORT ARM V2 2.60M XL	60,80
	1500601961	SUPPORT ARM V2 2.80M XL	60,80
	1500601611	SUPPORT ARM V2 3.00-3,25M	55,00
	1500601612	SUPPORT ARM V2 3.50-4.50M	55,00
24	1500601789	CENTRAL CLAMP SUPPORT ARM V2	2,60
27	1500601158	CON.PCE TENSION RAFTER 6002	3,59



THULE Omnistor 5102/VW

VW 606-00

	ART.NR.	DESCRIPTION	End consumer € / Excl.VAT
1	1500600296	CONNECT. SUPP. ARM V97 SERIE 5	3,67
2	1500601954	ROLLER TUBE ASSY 5102 2.6M	75,09
3	1500602356	FABRIC 2.60M VW T5 SILVER GREY	175,66
4	1500601124	HANDCRANK VW T5 + 5102	31,17
5	1500601689	MAIN HOUSING VW T5 RAL9006	134,65
	1500602357	MAIN HOUSING VW T5 RAL9011	134,65
6	1500601955	OUTSIDE LEAD RAIL VW T5 RAL9006	53,14
	1500602358	OUTSIDE LEAD RAIL VW T5 RAL9011	53,14
7	1500601956	INSIDE LEAD RAIL VW T5 RAL9006	53,59
	1500602359	INSIDE LEAD RAIL VW T5 RAL9011	53,59
8	1500601201	LH ENDPLATE + GEAR ASSY VW T5	51,79
9	1500601202	RH ENDPLATE MH VW T5	13,99
10	1500601203	LH+RH SIDECAP ASSY RAL9006	13,99
	1500601204	LH+RH SIDECAP ASSY RAL9011	13,99
11	1500602103	LH SPRINGARM COMPL 5102	125,22
12	1500602104	RH SPRINGARM COMPL 5102	125,22
13	1500601206	LH+RH LEAD RAIL END PLATE ASSY RAL9006	8,21
	1500601741	LH+RH LEAD RAIL END PLATE ASSY RAL9011	8,21
14	1500601960	SUPPORT ARM V2 2.60M XL	60,80
15	1500601789	CENTRAL CLAMP SUPPORT ARM V2	2,60



	ART.NR.	DESCRIPTION	End consumer € / Excl.VAT
1	1500601790	ROLLER TUBE 48 5002/5003 -1.9M	16,85
	1500601791	ROLLER TUBE 48 5002/5003 -2,3M	20,22
	1500601792	ROLLER TUBE 48 5002/5003 -2,6M	22,76
	1500601793	ROLLER TUBE 48 5002/5003 -3,0M	25,96
	1500601794	ROLLER TUBE 48 5002/5003 -3,5M	30,27
	1500601803	ROLLER TUBE 48 5002 -4,0M	34,40
	1500601835	ROLLER TUBE 48 5002/OTD -1.4M	16,86
2	1500600296	CONNECT. SUPP. ARM V97 SERIE 5	3,67
3	1500600769	FABRIC 1.40M OTD 03	91,55
	1500600770	FABRIC 1.40M OTD 04	91,55
	1500600774	FABRIC 1.40M OTD 22 RAL 9002	91,55
	1500600776	FABRIC 1.90M 5002 03	111,99
	1500600777	FABRIC 1.90M 5002 04	111,99
	1500600781	FABRIC 1.90M 5002 22 RAL 9002	111,99
	1500600783	FABRIC 2.30M 5002 03	155,85
	1500600784	FABRIC 2.30M 5002 04	155,85
	1500600788	FABRIC 2.30M 5002 22 RAL 9002	155,85
	1500600790	FABRIC 2.60M 5002 03	175,66
	1500600791	FABRIC 2.60M 5002 04	175,66
	1500600795	FABRIC 2.60M 5002 22 RAL 9002	175,66
	1500600798	FABRIC 3.00M 5002 03	195,39
	1500600799	FABRIC 3.00M 5002 04	195,39
	1500600805	FABRIC 3.00M 5002 22 RAL 9002	195,39

SPARE PARTS

THULE
SWEDEN

Price List 2012

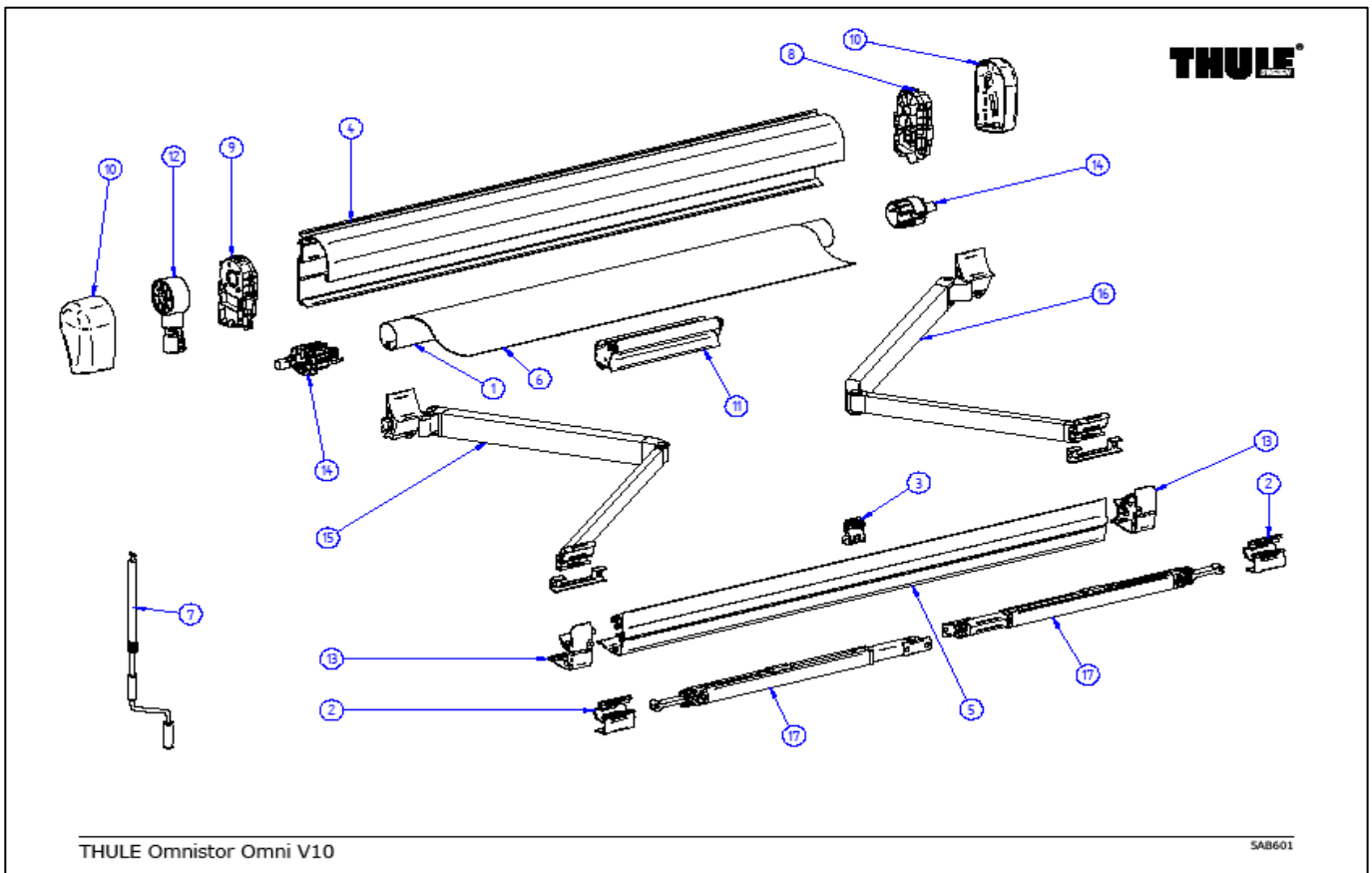
5002

5AM615

	1500600809	FABRIC 3.50M 5002 03	217,33
	1500600810	FABRIC 3.50M 5002 04	217,33
	1500600816	FABRIC 3.50M 5002 22 RAL 9002	217,33
	1500600820	FABRIC 4.00M 5002 03	239,31
	1500600821	FABRIC 4.00M 5002 04	239,31
	1500600827	FABRIC 4.00M 5002 22 RAL 9002	239,31
4	1500601836	MAIN HOUSING 5002 1.40 M	72,88
	1500601837	MAIN HOUSING 5002 1.90 M	84,05
	1500601838	MAIN HOUSING 5002 2.30 M	111,16
	1500601839	MAIN HOUSING 5002 2.60 M	122,38
	1500600831	MAIN HOUSING 5002 3,00 M	141,98
	1500600832	MAIN HOUSING 5002 3,50 M	166,26
	1500600833	MAIN HOUSING 5002 4,00 M	191,48
	1500601750	MAIN HOUSING 5002 3.00M ANO	141,98
	1500601471	MAIN HOUSING 5002 3.50M ANO	166,26
	1500600835	MAIN HOUSING 5002 4.00M ANO	191,48
	1500601840	MAIN HOUSING 5002/12V 2.60 M	141,98
	1500601841	MAIN HOUSING 5002/12V 3,00 M	166,26
	1500601842	MAIN HOUSING 5002/12V 3,50 M	191,48
	1500600834	MAIN HOUSING 5002/12V 4,00 M	191,48
5	1500601849	LEAD RAIL OTD 1.40 M	58,77
	1500601843	COVER LEAD PROFILE 5002 1,90M	37,84
	1500600836	COVER LEAD PROFILE 5002 2,30M	43,09
	1500600837	COVER LEAD PROFILE 5002 2,60M	50,83
	1500600838	COVER LEAD PROFILE 5002 3,00M	56,04
	1500600840	COVER LEAD PROFILE 5002 3,50M	65,53
	1500600842	COVER LEAD PROFILE 5002 4,00M	75,15
	1500600839	COVER LEAD PROFILE 5002 3,00M ANO	56,04
	1500600841	COVER LEAD PROFILE 5002 3,50M ANO	65,53
	1500600843	COVER LEAD PROFILE 5002 4,00M ANO	75,15
6	1500601844	INS.LEAD PROF.5002 1,90M	38,19
	1500601845	INS.LEAD PROF.5002 2,30M	43,33
	1500601846	INS.LEAD PROF.5002 2,60M	48,71
	1500601847	INS.LEAD PROF.5002 3,00M	56,53
	1500600845	INS.LEAD PROF.5002 3.50M	66,12
	1500600847	INS.LEAD PROF.5002 4,00M	75,88
	1500600844	INS.LEAD PROF. 5002 3.00M ANO	56,53
	1500600846	INS.LEAD PROF. 5002 3.50M ANO	66,12
	1500600848	INS.LEAD PROF. 5002 4.00M ANO	75,88
7	1500600853	GLID.ANGLE LEAD PR. - L=40MM	5,21
8	1500600855	END CAP SET 12V 5002	46,90
	1500600856	ENDCAP SET 12V 5002 RAL9006	71,88
	1500601850	L.H. + R.H. SIDECAPS OTD-12V	46,90
9	1500600864	LH END PLATE ASSY 12V MOTOR - 5002	410,14
	1500600889	LH END PLATE ASSY 5002 OTD 12V	248,44
10	1500600888	LH END PLATE ASSY 5002 OTD	14,00
	1500601214	LH END PLATE ASSY + LOCK 5002	14,00
11	1500601128	ELECTR CONTR UNIT	177,21
12	1500601131	PLANET. GEAR REPL.KIT (DIN CON)	132,08

SPARE PARTS**THULE**
SWEDEN**Price List 2012****5002****5AM615**

13	1500601207	HAND CRANK V97	35,10
14	1500601213	RH.END PLATE ASSY + LOCK 5002	12,78
15	1500601215	LH+RH SIDECAP ASSY 5002	12,16
16	1500601216	LH+RH LEAD RAIL END PLATE 5002	6,82
17	1500601220	ROLLER TUBE SUPPORT 4M 5002	19,60
18	1500601221	GEAR ASSY+COUPL.FUNN 5002	37,80
19	1500601226	LH+RH SIDECAP ASSY 5002 V05	12,19
	1500601227	L+R SIDECAP 5002 V05 RAL9006	31,45
20	1500601228	LH+RH LEADR. ENDPLATE 5002 V05	8,34
	1500601229	L+R ENDCAP RAIL 5002 V05 R9006	26,31
21	1500601237	LH + RH LOCK ASSY 5000	7,16
22	1500601267	ROLLER TUBE ASSY L/R SER 5 & 6 D 48	12,86
23	1500602083	L.H. SPRING ARM COMPL. 5002 - 1,90M	115,44
	1500602085	L.H. SPRING ARM COMPL. 5002 - 2,30M	122,72
	1500602087	L.H. SPRING ARM COMPL. 5002 - 2,60M	125,22
	1500602089	L.H. SPRING ARM COMPL. 5002 ≥3,00M	130,42
24	1500602084	R.H. SPRING ARM COMPL. 5002 - 1,90M	115,44
	1500602086	R.H. SPRING ARM COMPL. 5002 - 2,30M	122,72
	1500602088	R.H. SPRING ARM COMPL. 5002 - 2,60M	125,22
	1500602090	R.H. SPRING ARM COMPL. 5002 ≥3,00M	130,42
25	1500601789	CENTRAL CLAMP SUPPORT LEG V2	2,60
26	1500601219	LH+RH CONN.LEAD RAIL 5002	20,60
27	1500601588	SUPPORT ARM V2 1.90M	60,80
	1500601609	SUPPORT ARM V2 2,30M	60,80
	1500601960	SUPPORT ARM V2 2,60M XL	60,80
	1500601611	SUPPORT ARM V2 3,00M	55,00
	1500601612	SUPPORT ARM V2 3,50-4,50M	55,00
29	1500601163	CONNECTION PIECES TENSION RAFTER 5002	5,35



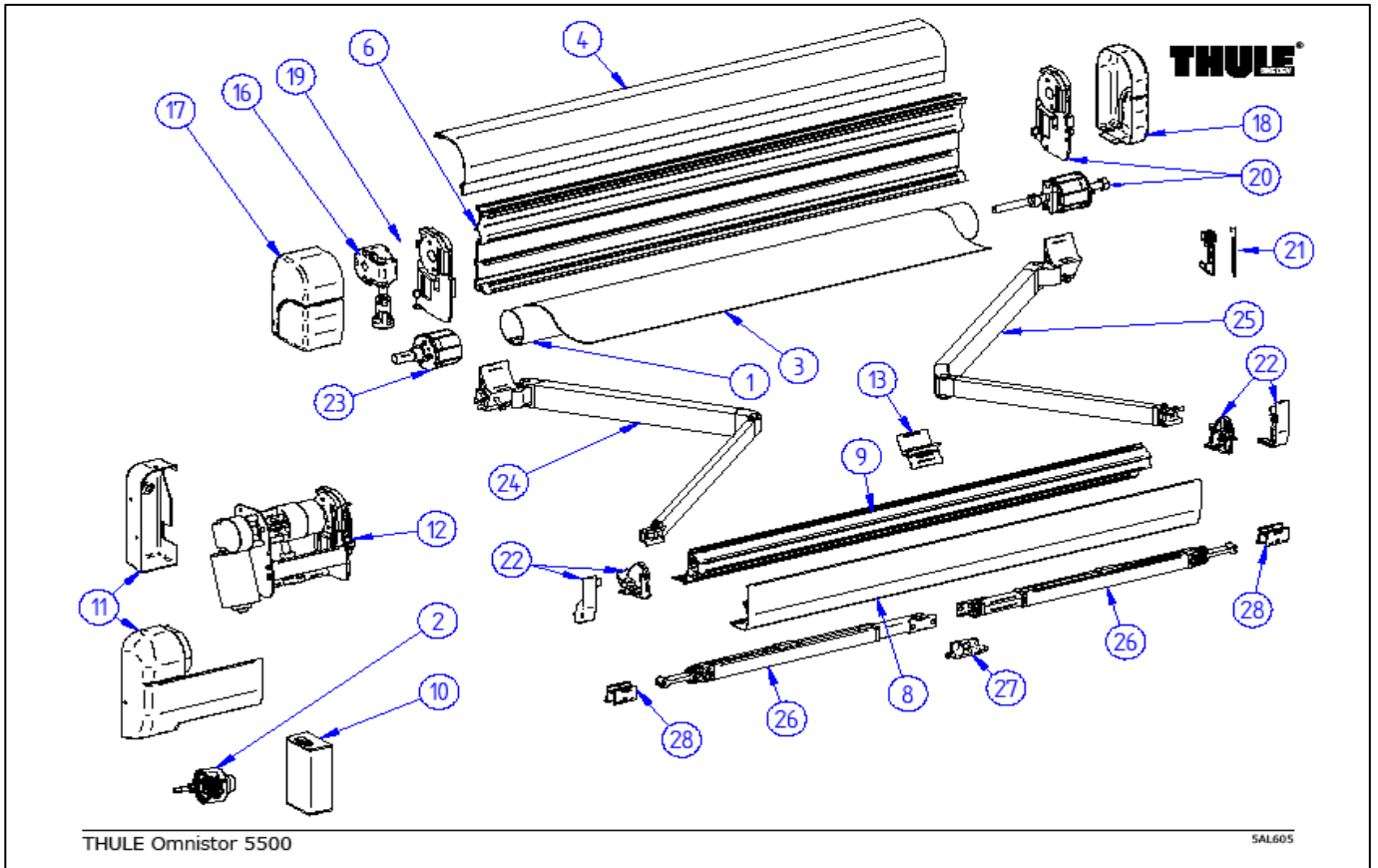
THULE Omnistor Omni V10

5AB601

	ART.NR.	DESCRIPTION	End consumer € / Excl.VAT
1	1500601792	ROLLER TUBE 48 5002/5003 -2,6M	22,76
	1500601793	ROLLER TUBE 48 5002/5003 -3,0M	25,96
	1500601794	ROLLER TUBE 48 5002/5003 -3,5M	30,27
	1500601803	ROLLER TUBE 48 5002/5003 -4,0M	34,40
2	1500600323	CONNECTION SUPPORT ARM OMNI V10	3,67
3	1500600324	HOOK SUPPORT ARM OMNI V10	2,60
4	1500601839	MAIN HOUSING 2.60 M	122,38
	1500600831	MAIN HOUSING 3,00 M	141,98
	1500600832	MAIN HOUSING 3,50 M	166,26
	1500600833	MAIN HOUSING 4,00 M	191,48
5	1500601764	LEAD RAIL OMNI-V10 2.60 M	108,59
	1500600849	LEAD RAIL OMNI-V10 3.00 M	119,76
	1500600850	LEAD RAIL OMNI-V10 3.50 M	140,04
	1500600851	LEAD RAIL OMNI-V10 4.00 M	161,40
6	1500600930	FABRIC 2.60M OMNI V10 03	175,66
	1500600931	FABRIC 2.60M OMNI V10 04	175,66
	1500600932	FABRIC 3,00M OMNI V10 03	195,39
	1500600933	FABRIC 3,00M OMNI V10 04	195,39
	1500600936	FABRIC 3,00M OMNI V10XL 03	195,39
	1500600937	FABRIC 3,00M OMNI V10XL 04	195,39
	1500600938	FABRIC 3,50M OMNI V10 03	217,33
	1500600939	FABRIC 3,50M OMNI V10 04	217,33
	1500600942	FABRIC 3,50M OMNI V10XL 03	217,33

SPARE PARTS**THULE**[®]
SWEDEN**Price List 2012****OMNI V10****5AB601**

	1500600943	FABRIC 3,50M OMNI V10XL 04	217,33
	1500600944	FABRIC 4,00M OMNI V10 03	239,31
	1500600945	FABRIC 4,00M OMNI V10 04	239,31
	1500600948	FABRIC 4,00M OMNI V10XL 03	239,31
	1500600949	FABRIC 4,00M OMNI V10XL 04	239,31
7	1500601207	HAND CRANK ASSY SHORT	35,10
8	1500601213	R.H. END PLATE ASSY OMNI-V10	12,78
9	1500601214	L.H. END PLATE ASSY OMNI-V10	14,00
10	1500601215	L.H. + R.H. SIDECAP ASSY OMNI-V10	12,16
11	1500601220	ROLLER TUBE SUPPORT 4M 5002	19,60
12	1500601221	GEAR ASSY+COUPL.FUNN 5002	37,80
13	1500601225	LH & RH ENDPLATE LEAD RAIL V10	8,34
14	1500601267	ROLLER TUBE ASSY L/R SER 5 & 6 D 48	12,86
15	1500602097	L.H. SPRING ARM COMPL. V10 - 2,60M	125,22
	1500602099	L.H. SPRING ARM COMPL. V10 ≥3,00M	130,42
	1500602101	L.H. SPRING ARM COMPL. V10XL ≥3,00M	130,42
16	1500602098	L.H. SPRING ARM COMPL. V10 - 2,60M	125,22
	1500602100	L.H. SPRING ARM COMPL. V10 ≥3,00M	130,42
	1500602102	L.H. SPRING ARM COMPL. V10XL ≥3,00M	130,42
17	1500601960	SUPPORT ARM V2 2,60M XL	60,80
	1500601611	SUPPORT ARM V2 3,00M	55,00
	1500601612	SUPPORT ARM V2 3,50-4,50M	55,00
18	1500601223	LH+RH CONN.LEAD RAIL OMNI V10	17,33



THULE Omnistor 5500

5AL605

	ART.NR.	DESCRIPTION	End consumer € / Excl.VAT
1	1500601851	ROLLER TUBE 63 / 5500 -3,0M	31,17
	1500601852	ROLLER TUBE 63 / 5500 -3,5M	36,83
	1500601853	ROLLER TUBE 63 / 5500 -4,0M	42,26
	1500601854	ROLLER TUBE 63 / 5500 -4,5M	47,81
	1500601855	ROLLER TUBE 63 / 5500 -5,0M	53,37
	1500601856	ROLLER TUBE 63 / 5500 -5,5M	58,76
	1500601857	ROLLER TUBE 63 / 5500 -6,0M	64,32
2	1500601131	PLANET. GEAR REPL.KIT(DIN CON)	132,08
3	1500600174	FABRIC 3.00M 5800 03	214,92
	1500600175	FABRIC 3.00M 5800 04	214,92
	1500600179	FABRIC 3.00M 5800 22 RAL 9002	214,92
	1500600200	FABRIC 3.50M 5800 03	239,08
	1500600201	FABRIC 3.50M 5800 04	239,08
	1500600207	FABRIC 3.50M 5800 22 RAL 9002	239,08
	1500600222	FABRIC 4.00M 5500 03	239,31
	1500600223	FABRIC 4.00M 5500 04	239,31
	1500600229	FABRIC 4.00M 5500 22 RAL 9002	239,31
	1500600232	FABRIC 4.00M 5800 03	263,27
	1500600233	FABRIC 4.00M 5800 04	263,27
	1500600238	FABRIC 4.00M 5800 RAL 9002	263,27
	1500600240	FABRIC 4.50M 5500 03	261,27
	1500600241	FABRIC 4.50M 5500 04	261,27
	1500600248	FABRIC 4.50M 5500 22 RAL 9002	261,27

SPARE PARTS

THULE
SWEDEN

Price List 2012

5500 / 5800

5AL605

	1500600251	FABRIC 4.50M 5800 03	287,40
	1500600252	FABRIC 4.50M 5800 04	287,40
	1500600256	FABRIC 4.50M 5800 22 RAL 9002	287,40
	1500600258	FABRIC 5.00M 5500 03	283,21
	1500600259	FABRIC 5.00M 5500 04	283,21
	1500600265	FABRIC 5.00M 5500 22 RAL 9002	283,21
	1500600268	FABRIC 5.00M 5800 03	311,55
	1500600269	FABRIC 5.00M 5800 04	311,55
	1500600273	FABRIC 5.00M 5800 22 RAL 9002	311,55
	1500600275	FABRIC 5.50M 5500 03	305,17
	1500600276	FABRIC 5.50M 5500 04	305,17
	1500600281	FABRIC 5.50M 5500 22 RAL 9002	305,17
	1500600284	FABRIC 6.00M 5500 03	327,11
	1500600285	FABRIC 6.00M 5500 04	327,11
	1500600289	FABRIC 6.00M 5500 22 RAL 9002	327,11
4	1500600330	COVER HOUSING 5500 3.00M	72,10
	1500601457	COVER HOUSING 5500 3.50M	84,05
	1500600334	COVER HOUSING 5500 4.00M	96,08
	1500600336	COVER HOUSING 5500 4.50M	108,06
	1500600338	COVER HOUSING 5500 5.00M	120,05
	1500600339	COVER HOUSING 5500 5.50M	132,00
	1500600340	COVER HOUSING 5500 6.00M	143,95
	1500600335	COVER HOUSING 5500 4.00M ANO	96,08
	1500600337	COVER HOUSING 5500 4.50M ANO	108,06
	1500601734	COVER HOUSING 5500 5.00M ANO	120,05
	1500601861	COVER HOUSING 5500 5.50M ANO	132,00
	1500600341	COVER HOUSING 5500 6.00M ANO	143,95
	1500601858	COVER HOUSING 5500 12V 3.00M	84,05
	1500600332	COVER HOUSING 5500 12V 3.50M	96,08
	1500601859	COVER HOUSING 5500 12V 4.00M	108,06
	1500601458	COVER HOUSING 5500 12V 4.50M	120,05
	1500601860	COVER HOUSING 5500 12V 5.00M	132,00
	1500601543	COVER HOUSING 5500 12V 5.50M	143,95
	1500600342	COVER HOUSING 5500 12V 6.00M	143,95
5	1500601248	LH+RH CONN.LEAD RAIL 5002	20,60
6	1500601862	BACK HOUSING 5500 3.00M	126,86
	1500601864	BACK HOUSING 5500 3,50M	145,44
	1500601538	BACK HOUSING 5500 4.00M	163,69
	1500600343	BACK HOUSING 5500 4.50M	181,89
	1500600344	BACK HOUSING 5500 5.00M	202,15
	1500601540	BACK HOUSING 5500 5.50M	222,44
	1500601531	BACK HOUSING 5500 6.00M	242,70
	1500601863	BACK HOUSING 5500 12V 3.00M	145,44
	1500601865	BACK HOUSING 5500 12V 3,50M	163,69
	1500601866	BACK HOUSING 5500 12V 4.00M	181,89
	1500601867	BACK HOUSING 5500 12V 4,50M	202,15
	1500601868	BACK HOUSING 5500 12V 5.00M	222,44
	1500601869	BACK HOUSING 5500 12V 5,50M	242,70
	1500600345	BACK HOUSING 5500 12V 6.00M	242,70

SPARE PARTS

THULE
SWEDEN

Price List 2012

5500 / 5800

5AL605

8	1500600348	OUTSIDE LEAD RAIL 3.00M	63,65
	1500600350	OUTSIDE LEAD RAIL 3.50M	74,40
	1500600353	OUTSIDE LEAD RAIL 4.00M	85,09
	1500600356	OUTSIDE LEAD RAIL 4.50M	95,83
	1500600359	OUTSIDE LEAD RAIL 5.00M	106,56
	1500600362	OUTSIDE LEAD RAIL 5.50M	117,27
	1500600365	OUTSIDE LEAD RAIL 6.00M	128,01
	1500600354	OUTSIDE LEAD RAIL 4.00M ANO	85,09
	1500600357	OUTSIDE LEAD RAIL 4.50M ANO	95,83
	1500600360	OUTSIDE LEAD RAIL 5.00M ANO	106,56
	1500600363	OUTSIDE LEAD RAIL 5.50M ANO	117,27
	1500600366	OUTSIDE LEAD RAIL 6.00M ANO	128,01
9	1500601459	INSIDE LEAD RAIL 5500 3.00M	76,06
	1500601870	INSIDE LEAD RAIL 5500 3.50M	88,91
	1500600371	INSIDE LEAD RAIL 5500 4.00M	101,77
	1500600373	INSIDE LEAD RAIL 5500 4.50M	114,62
	1500600374	INSIDE LEAD RAIL 5500 5.00M	127,48
	1500601874	INSIDE LEAD RAIL 5500 5,50M	140,35
	1500600376	INSIDE LEAD RAIL 5500 6.00M	153,19
	1500601871	INSIDE LEAD RAIL 5500 4,00M - ANO	101,77
	1500601872	INSIDE LEAD RAIL 5500 4,50M - ANO	114,62
	1500601873	INSIDE LEAD RAIL 5500 5,00M - ANO	127,48
	1500601875	INSIDE LEAD RAIL 5500 5,50M - ANO	140,35
	1500602328	INSIDE LEAD RAIL 5500 6,00M - ANO	153,19
10	1500601128	ELECTR CONTR UNIT SERIE 5+6002	177,21
11	1500601133	END CAP 12V MOTOR 5500	46,90
	1500601134	ENDCAP 12V MOTOR 5500 RAL9006	71,88
12	1500601135	DRIVING UNIT 12V 5500	410,14
13	1500601130	GLIDING ANGLE LEAD RAIL	6,94
14	1500601164	CONN. PCS TENSION RAFTER 5500	3,59
15	1500601207	HAND CRANK ASSY SHORT	35,10
16	1500601209	GEAR ASSY+COUPL.FUN 5500/4000	37,80
17	1500601238	LH ENDCAP 5500	7,88
	1500601239	LH ENDCAP 5500 RAL9006	17,33
18	1500601240	RH ENDCAP 5500	7,71
	1500601241	RH ENDCAP 5500 RAL9006	17,20
19	1500601242	LH ENDPLATE ASSY + LOCK 5500	22,35
20	1500601243	RH ENDPLATE ASSY+ LOCK 5500	34,01
21	1500601245	LH+RH LOCK ASSY 5500	10,26
22	1500601246	LH+RH END PL. LEAD RAIL 5500	6,82
	1500601247	LH+RH END PL. LEAD RAIL 5500 RAL9006	26,31
	1500601244	LH+RH END PL. LEAD RAIL 5500 ≤2003	6,82
23	1500601253	LH ROL. TUBE ASSY 5500	21,13
24	1500602091	L.H. SPRING ARM COMPL. 5800 ≥4,00M	135,20
	1500602093	L.H. SPRING ARM COMPL. 5500 ≥4,00M	130,42
	1500602095	L.H. SPRING ARM COMPL. 5500 <4,00M	130,42
25	1500602092	R.H. SPRING ARM COMPL. 5800 ≥4,00M	135,20
	1500602094	R.H. SPRING ARM COMPL. 5500 ≥4,00M	130,42
	1500602096	R.H. SPRING ARM COMPL. 5500 <4,00M	130,42

SPARE PARTS

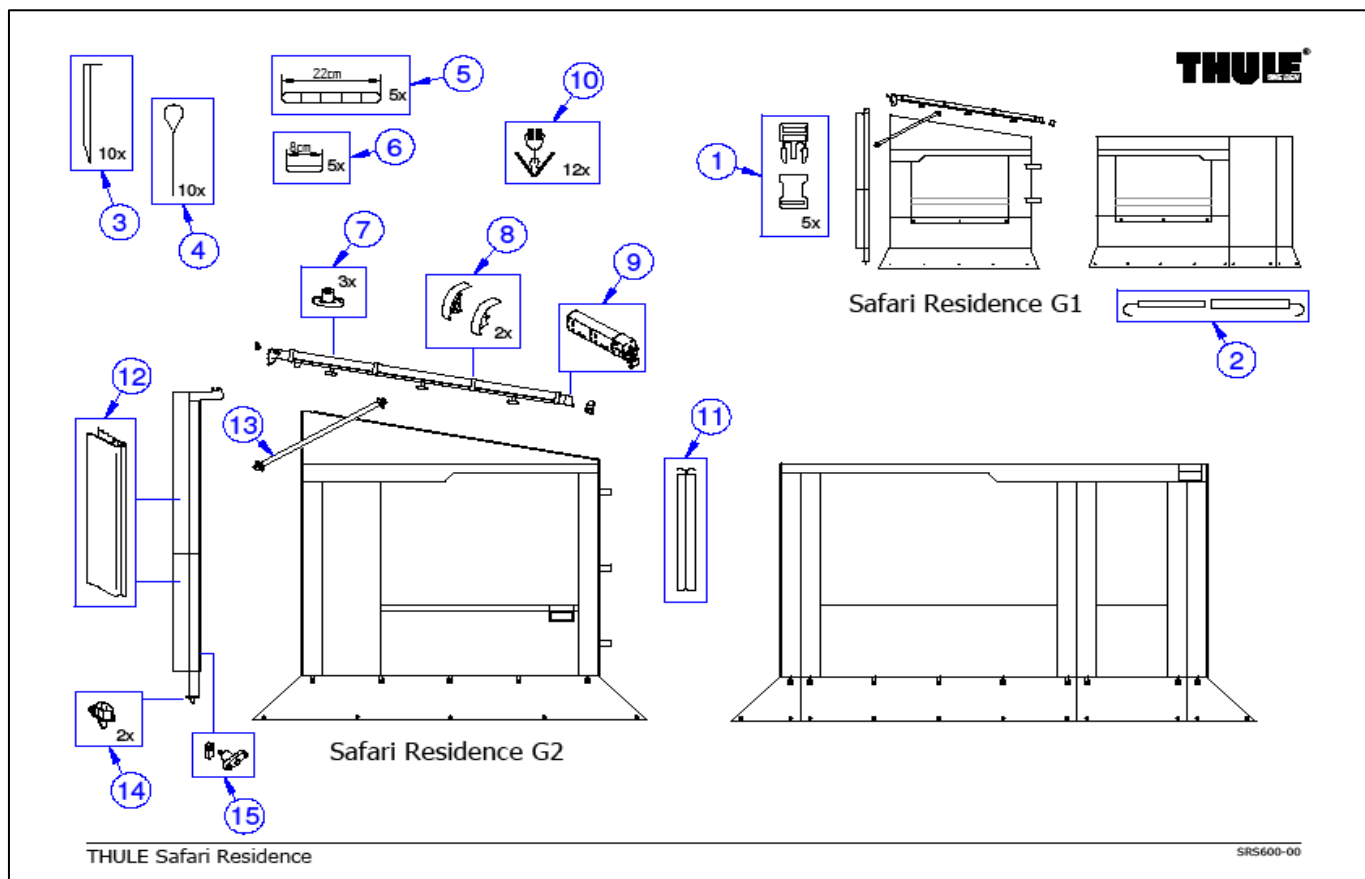
THULE
SWEDEN

Price List 2012

5500 / 5800**5AL605**

26	1500601611	SUPPORT ARM V2 3.00M	55,00
	1500601612	SUPPORT ARM V2 3.50M	55,00
	1500601312	SUPPORT ARM V2 LARGE	60,80
27	1500601789	CENTRAL CLAMP SUPPORT ARM V2	2,60
28	1500600296	CONNECT. SUPP. ARM	3,67

	ART.NR.	DESCRIPTION	End consumer € / Excl.VAT
039720	1500602169	ROLLER TUBE D=48X0.8MM / 600K-3.06M	30,27
039721	1500602170	ROLLER TUBE D=48X0.8MM / 600K-3.63M	34,40
039722	1500602171	ROLLER TUBE D=48X0.8MM / 600K-4.51M	66,56
049707	1500602172	LH GLIDING PIECE SPRING ARM 6000	6,75
049708	1500602173	RH GLIDING PIECE SPRING ARM 6000	6,75
51542700	1500600296	CONNECT. SUPP. ARM V97 - 5000	3,67
51551461	1500600311	LH SPRING ARM ASSY 2.45M-600K+CON	135,44
51552461	1500600315	RH SPRING ARM ASSY 2.45M-600K+CON	135,44
55444300	1500601611	SUPPORT ARM V2 3.00M	55,00
55444400	1500601612	SUPPORT ARM V2 3.50-4.50M	55,00
51971400	1500600721	LH ROLLER TUBE 600K	6,13
51971500	1500600722	RH ROLLER TUBE 600K	7,41
51971631	1500602174	SUPPORT PROFILE 3.06M 600K	100,53
51971636	1500602175	SUPPORT PROFILE 3.625M 600K	115,98
51971645	1500600723	SUPPORT PROFILE 4.51M 600K	141,19
51971800	1500600724	LH SIDE PIECE 600K	70,76
51971900	1500600725	RH SIDE PIECE 600K	11,93
51973401	1500602151	ADAPTER ASSY 600K 3.06M	30,53
51973402	1500602152	ADAPTER ASSY 600K 3.625M	46,16
51973403	1500602153	ADAPTER ASSY 600K 4.51M	76,75
51973531	1500600726	LEAD PROFILE 600K 3.06 M	177,48
51973536	1500600728	LEAD PROFILE 600K 3.625 M	199,89
51973545	1500600729	LEAD PROFILE 600K 4.51 M	221,93
51973600	1500600730	LH LEADRAIL ASSY 600K	3,85
51973700	1500600731	RH LEADRAIL ASSY 600K	3,85
51975404	1500600733	FABRIC 600K 3.06M ALASKA GREY	214,93
51975504	1500600736	FABRIC 600K 3.625M ALASKA GREY	222,58
51975604	1500600737	FABRIC 600K 4.51M ALASKA GREY	261,27



THULE Safari Residence

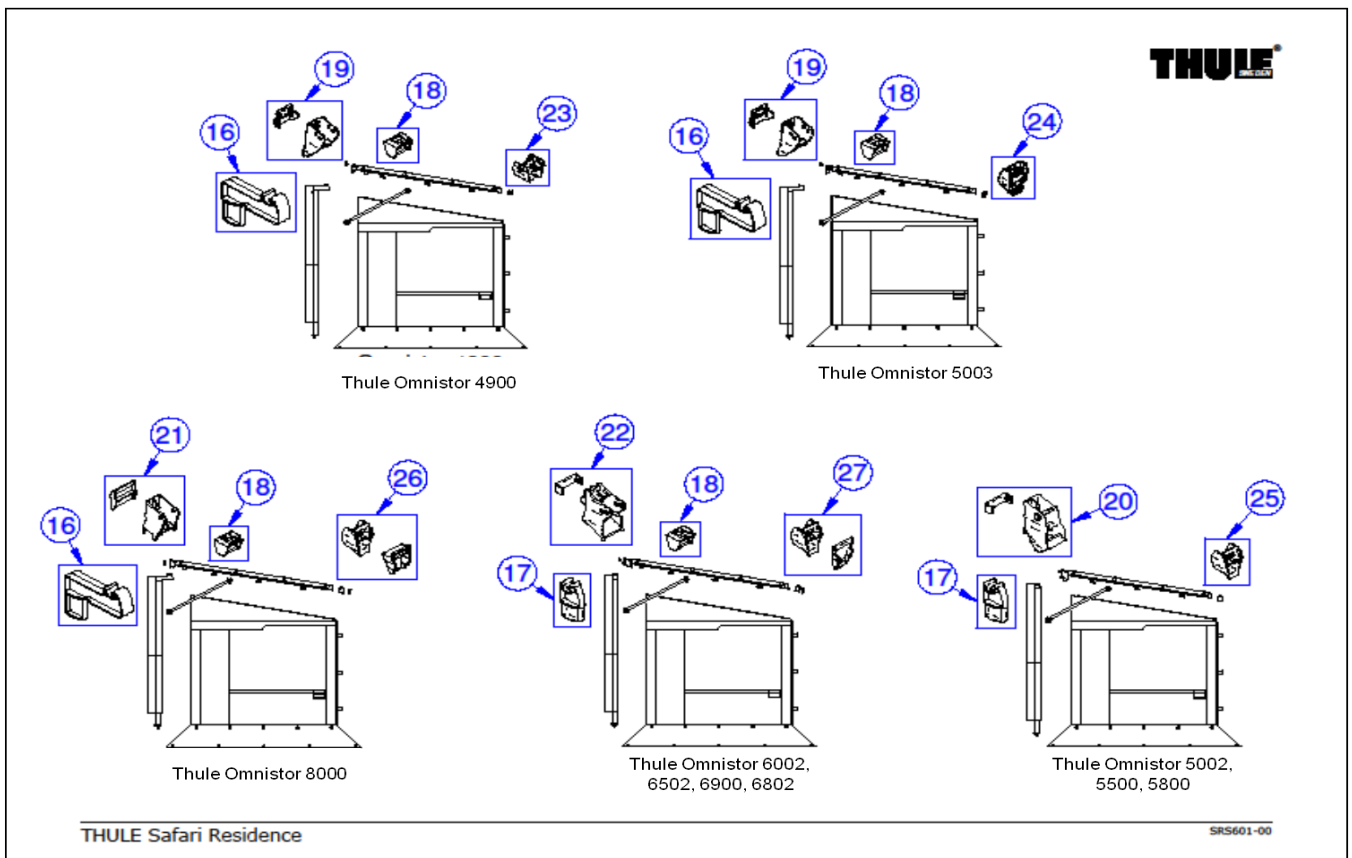
SRS600-00

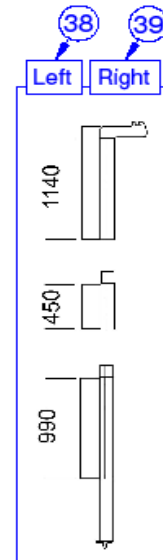
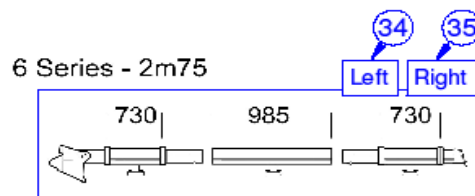
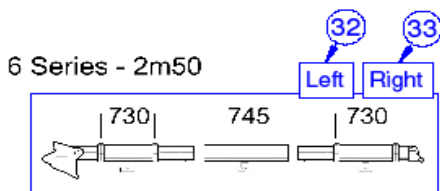
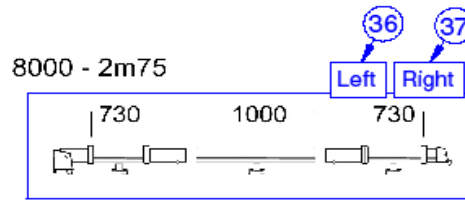
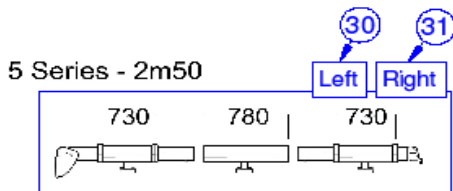
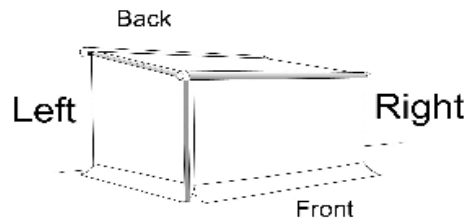
	ART.NR.	DESCRIPTION	End consumer € / Excl.VAT
1	1500601178	BUCKLE 16MM WHITE - 5 PCS	4,77
2	1500600119	WINDOW TUBE ASSY	15,22
3	1500601169	TENT PEG HALF ROUND - 10PCS	7,88
4	1500601171	GROUNDSHEET PEG - 10PCS	5,00
5	1500601167	MULTI POSITION RUBBER 20CM - 5PCS	8,96
6	1500602154	ELASTIC BAND 8CM - 5PCS	5,46
7	1500601182	NUT KNOB M6 GREY SAFARI RESIDENCE - 3PCS	3,35
8	1500601181	COVER CLAMP PROFILE 2L+2R	3,04
9	1500602155	END PIECE TENSION RAFTER CLAMP	4,37
10	1500601161	CURTAIN HOLDER - 12PCS	7,40
11	1500602029	CONNECTING PROFILE FRONT AND SIDE PANEL - 1,00M	3,92
12	1500600139	CLOSING PROFILE MAST L= 1140 MM	7,90
13	1500600138	SUPPORT PROFILE SAFARI RESIDENCE	27,01
14	1500602033	FOOT PIECE MAST SAFARI RESIDENCE 06 2PCS	3,21
15	1500601400	FIXATION SYSTEM MAST RESIDENCE	2,26
16	1500601189	END PIECE MAST SAFARI RESIDENCE 8000	3,21
17	1500601179	END PIECE MAST SAFARI RESIDENCE	2,56
18	1500601187	MAST HOLDER SAFARI RESIDENCE S6+8000	3,21
19	1500601682	POSIT. PIECE + TR HOLDER 5003	3,89
20	1500601180	POSITIONING BLOCK + TENSION RAFTER HOUSING S5	4,38
21	1500601188	POSITIONING BLOCK + TENSION RAFTER HOUSING 8000	3,21
22	1500601184	POSITIONING BLOCK + TENSION RAFTER HOUSING S6	4,38
23	1500602156	INSERT LR 4900	4,10

SAFARI RESIDENCE

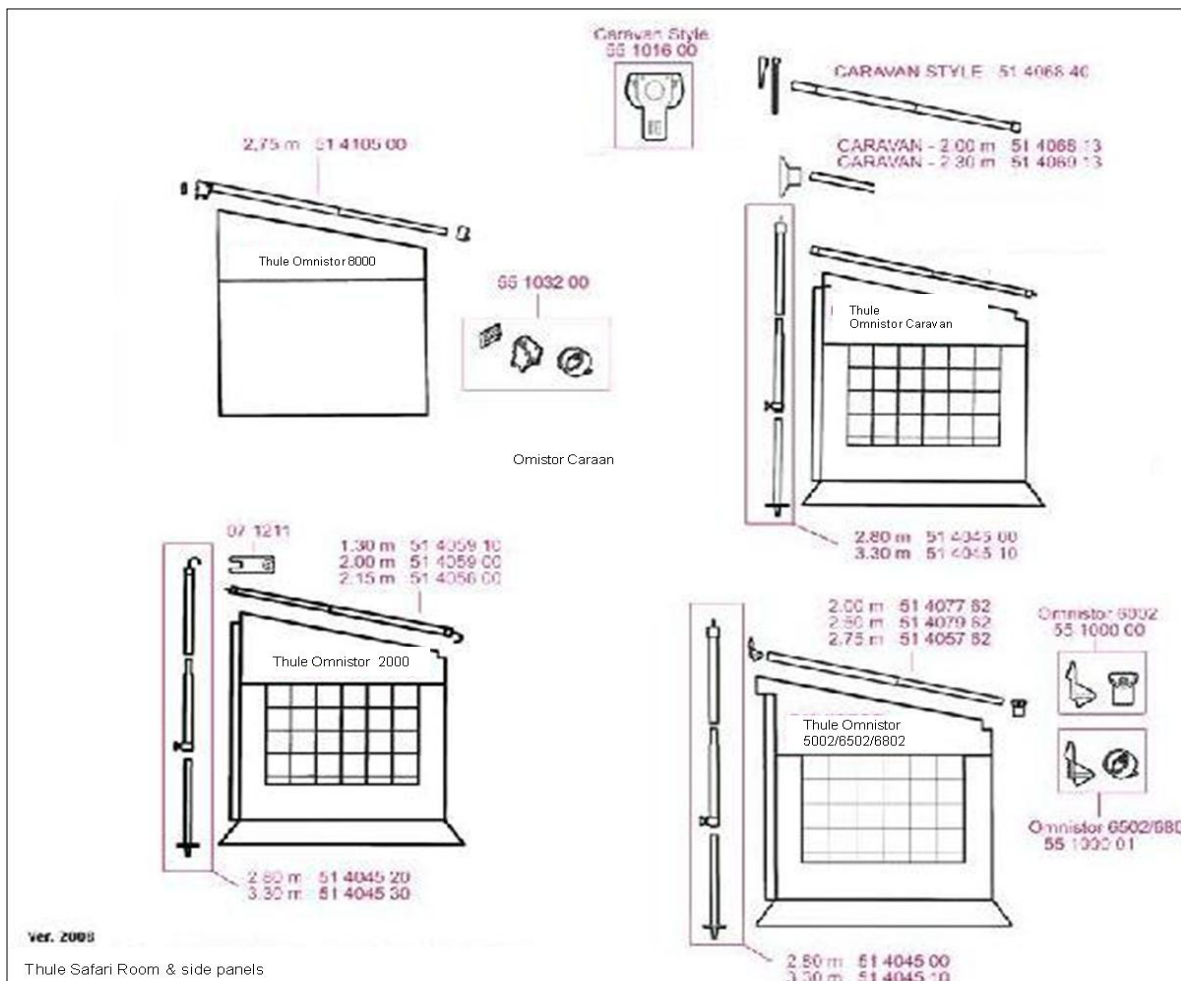
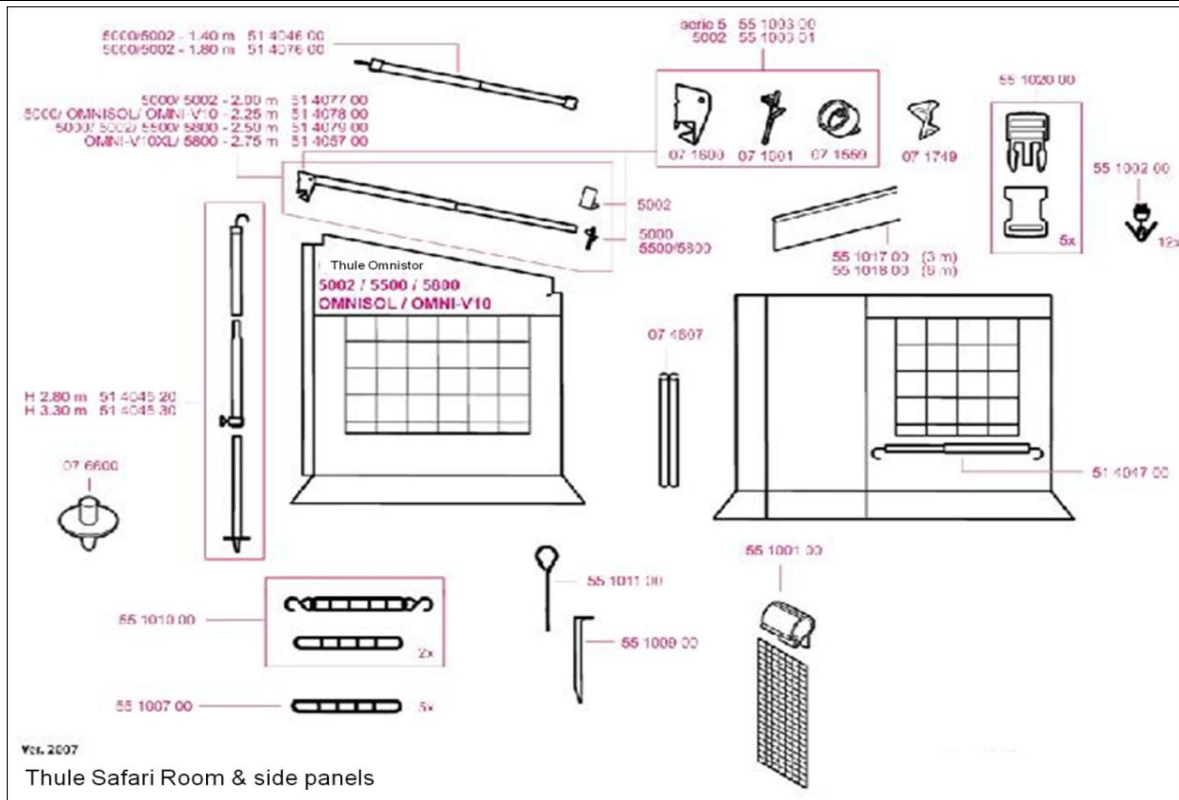
SRS600 / SRS601 / SRS602

24	1500601683	INSERT LR 5003 + END PIECE TR CLAMP	4,10
25	1500601183	END PIECE TENSION RAFTER CLAMP + INSERT SR S5	3,78
26	1500601186	END PIECE TENSION RAFTER CLAMP + INSERT SR 8000	5,55
27	1500601185	END PIECE TENSION RAFTER CLAMP + INSERT SR S6	5,55
28	1500602034	SUCTION PAD VW RESIDENCE ASSY	6,07
29	1500602035	BELT HOOKS VW RESIDENCE	8,43
30	1500602157	CLAMPING PROFILE 5 SERIES - 2M50 - LEFT	119,03
31	1500602158	CLAMPING PROFILE 5 SERIES - 2M50 - RIGHT	119,03
32	1500602159	CLAMPING PROFILE 6 SERIES - 2M50 - LEFT	120,12
33	1500602160	CLAMPING PROFILE 6 SERIES - 2M50 - RIGHT	120,12
34	1500602161	CLAMPING PROFILE 6 SERIES - 2M75 - LEFT	125,58
35	1500602162	CLAMPING PROFILE 6 SERIES - 2M75 - RIGHT	125,58
36	1500602163	CLAMPING PROFILE 8000 - 2M75 - LEFT	126,67
37	1500602164	CLAMPING PROFILE 8000 - 2M75 - RIGHT	126,67
38	1500602165	MAST PROFILE - LEFT	110,29
39	1500602166	MAST PROFILE - RIGHT	110,29





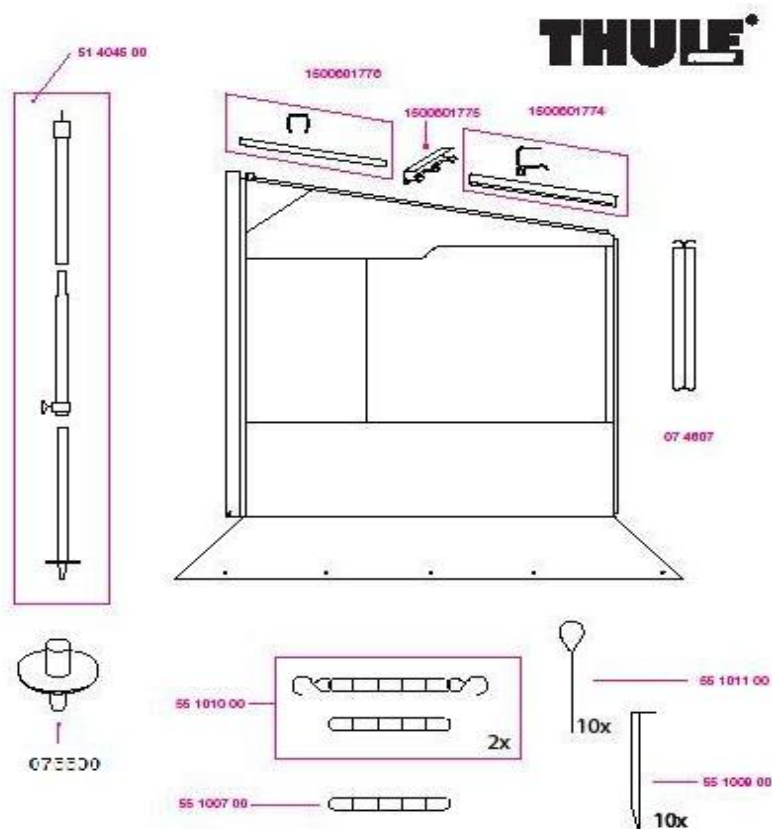
SAFARI ROOM



SAFARI ROOM

	ART.NR.	DESCRIPTION	End consumer € / Excl.VAT
71211	1500602024	CON.PLATE TENSION RAFTER 2000	1,04
71559	1500602025	CON.TEN.RAFTER - L.RAIL 5002/6502	0,82
71600	1500602026	CON.TEN.RAFTER - HOUSING 5002	2,53
71601	1500602027	CON.TEN.RAFTER - L.RAIL 5000/5500	0,82
71749	1500602028	CON.TEN.RAFTER - L.RAIL OMNI-V10	0,82
74607	1500602029	CONNECTING PROF.PANEL - 1,00M	3,92
76600	1500602030	GROUND PIN MAST SAF.ROOM	1,28
51404500	1500600116	MAST 2.80M WITH PIN SAFARIROOM	26,86
51404510	1500601537	MAST 3.30M WITH PIN SAFARI ROO	35,82
51404520	1500600117	MAST 2.80M WITH HOOK SAF.ROOM	26,86
51404530	1500600118	MAST 3.30M WITH HOOK SAF.ROOM	35,82
51404600	1500601403	TENSION RAFTER 4000/5000	41,21
51404700	1500600119	WINDOW TUBE ASSY SAFARIROOM	15,22
51405700	308234	TENSION RFT 2.75M UNIVERSAL	30,25
51405762	308235	TENSION RFT 2.75M SERIE 6	30,25
51405800	308236	TENSION RFT 2.15M FOR 2000	41,21
51405900	308237	TENSION RFT 2.00M FOR 2000	41,21
51405910	1500602031	TENSION RAFTER 2000 - 1,30M	41,21
51406813	308238	TENSION RFT 2.00M CARAVAN	41,21
51406840	308239	TENSION RFT CARAVAN STYLE	42,79
51406913	308240	TENSION RFT 2.30M CARAVAN	0
51407600	308241	TENSION RFT 1.80M UNIVERSAL	41,21
51407700	308242	TENSION RFT 2.00M UNIVERSAL	21,01
51407762	308243	TENSION RFT 2.00M SERIE 6	21,01
51407800	308244	TENSION RFT 2.25M UNIVERSAL	21,85
51407900	308245	TENSION RFT 2.50M UNIVERSAL	24,37
51407962	308246	TENSION RFT 2.50M SERIE 6	24,37
51407990	1500602032	TENSION RAFTER 9000 - 2,50M	41,21
51410500	308300	TENS RFT RB/SB/ 2.75M 8000	44,00
55100000	1500601158	CON.PCE TENSION RAFTER 6002	3,59
55100001	1500601159	CONNECTION PIECE TR 6502/6900	3,59
55100100	1500601160	NYLON TENTCLIP (6) SAFARIROOM	7,99
55100200	1500601161	WINDOW HOLDER (12) SAFARIROOM	7,40
55100300	1500601162	CONNECTION PCS TR 5000 SAFARIR	3,59
55100301	1500601163	CONNECTION PCS TR 5002 SAFARIR	5,35
55100400	1500601164	CONN. PCS TR 5500/OS SAFARI SR	3,59
55100700	1500601167	LADDER RUBBERRING 20CM-5PCS SR	8,96
55100900	1500601169	TENTPEG HALFROUND-10PCS SR	7,88
55101000	1500601170	MULTI POS. ELAST.+S-HOOK 4PCS	10,74
55101100	1500601171	GROUNDSHEETPEG - 10 PCS	5,00
55101200	1500601172	AWNING BRACKET 2 PCS	3,59
55101700	1500601175	DRAP ROPE 3.00M	21,82
55101800	1500601176	DRAP ROPE 6.00M	39,79
55102000	1500601178	BUCKLE 16MM WHITE (5 PIECES)	4,77
55103200	1500601399	CONN PCS TENS RFT RB/SB 8000	4,29

SAFARI STYLE

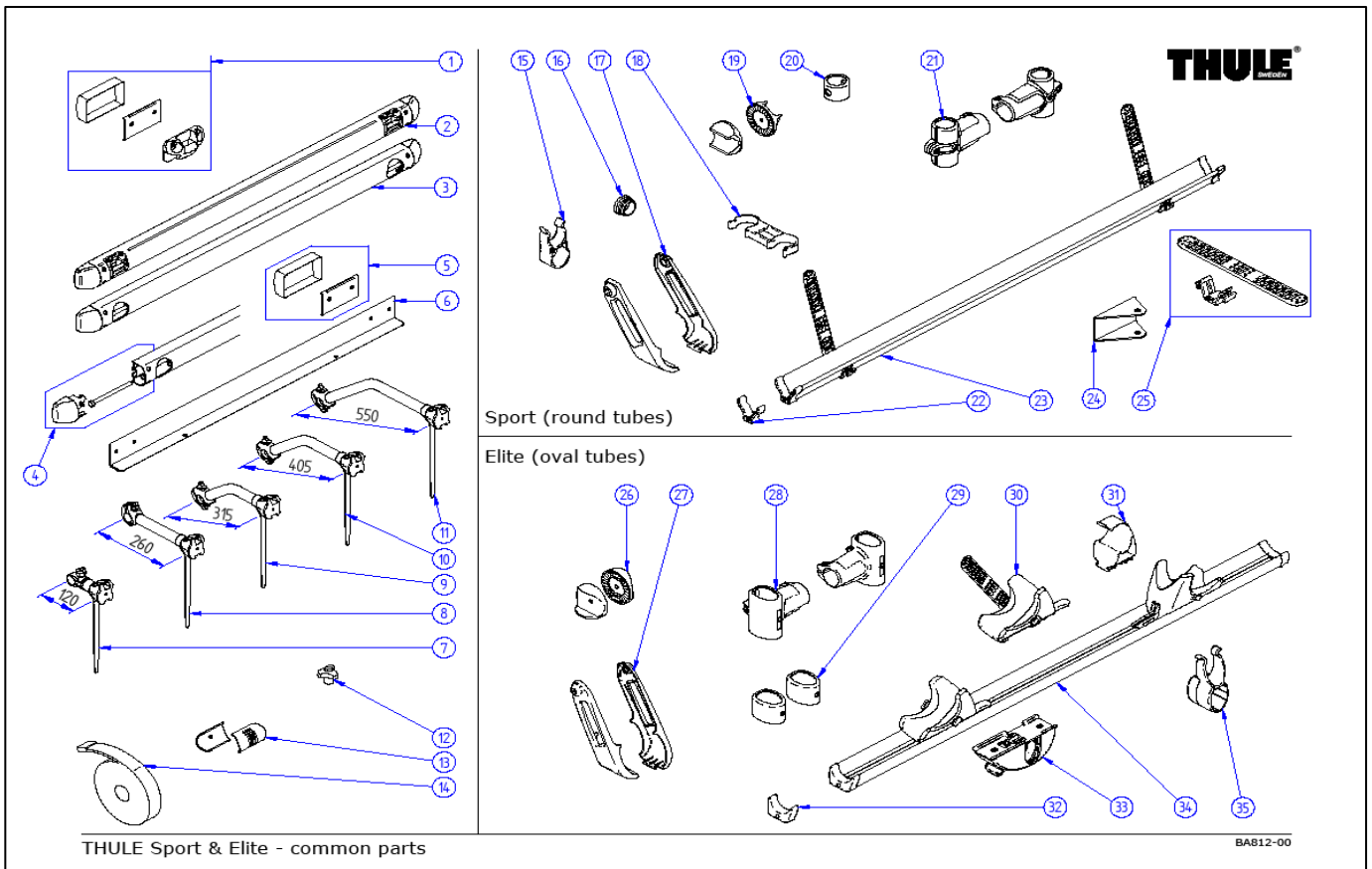


Thule Safari Style

	ART.NR.	DESCRIPTION	End consumer € / Excl.VAT
1500601774	1500601774	CLAMP PROFILE 850 MM	5,69
1500601775	1500601775	CLAMP PROFILE MID 265 MM	4,10
1500601776	1500601776	U-PROFILE 900 MM	5,26
07 4607	1500602029	CONNECTING PROF.PANEL - 1,00M	3,92
07 6600	1500602030	GROUND PIN MAST SAF.ROOM	1,28
51 4045 00	1500600116	MAST 2.80M WITH PIN SAFARIROOM	26,86
55 1007 00	1500601167	LADDER RUBBERRING 20CM-5PCS SR	8,96
55 1009 00	1500601169	TENTPEG HALFROUND-10PCS SR	7,88
55 1010 00	1500601170	MULTI POS. ELAST.+S-HOOK 4PCS	10,74
55 1011 00	1500601171	GROUNDSHEETPEG - 10 PCS	5,00

Sport & Elite - common parts

BA812-00



	ART.NR.	DESCRIPTION	End consumer € / Excl.VAT
1	1500600548	SPORT/ELITE UPPER FIXATION KIT (2x)	11,47
2	308182	SPORT/ELITE TOP MOUNTING PROFILE	23,53
3	1500600540	SPORT/ELITE BOTTOM MOUNTING OMNIBIKE	29,92
4	1500600549	SPORT/ELITE CAP MOUNTING PROFILE + BOLT (2x)	8,89
5	1500602360	LOWER FIXATION KIT INSIDE (2x)	7,50
6	1500600434	ANGLE SUPPORT RAIL NORMAL	7,51
6	1500600436	ANGLE SUPPORT RAIL LIFT	7,51
6	1500601518	ANGLE SUPPORT RAIL DUCATO	7,51
7	308184	SPORT/ELITE BIKE HOLDER #1 (14 CM)	10,08
8	308185	SPORT/ELITE BIKE HOLDER #2 (28 CM)	12,61
9	308188	SPORT/ELITE BIKE HOLDER #2/3 (33 CM)	14,29
10	308186	SPORT/ELITE BIKE HOLDER #3 (42 CM)	14,29
11	308187	SPORT/ELITE BIKE HOLDER #4 (56 CM)	15,97
12	1500602020	KNOB WITH NUT	1,91
13	1500600550	SHELLS 30/34 FOR BIKE HOLDERS (10x)	2,81
14	1500601970	STRAP 15 MM BLUE L=2,00M	2,42
14	1500601971	STRAP 25 MM BLUE L=2,50M	4,80
15	1500601361	SPORT RACKCLIP	2,16
16	1500601988	TUBE PLUG BLACK DIA 34	0,86
17	1500600531	SPORT HINGE COVERS	3,37
18	1500601360	SPORT PLATFORM HOLDER (2x)	5,00
19	1500600544	SPORT SERRATED PIECES	6,75
20	1500601989	CONNECTION PIECE DIA. 34/30	0,84

SPARE PARTS**THULE**
SWEDEN**Price List 2012****Sport & Elite - common parts****BA812-00**

21	1500600543	SPORT T-PIECES	7,09
22	1500601356	SPORT ENDCAP V-RAIL (4x)	3,50
23	308173	SPORT V-RAIL COMPLETE	35,04
24	1500601974	FOOT SUPPORT OMNIBIKE	4,93
25	1500601358	SPORT WHEEL STRAPS (x6)	13,00
26	1500600546	ELITE SERRATED PIECES	8,32
27	1500600566	ELITE HINGE COVERS	4,27
28	1500600547	ELITE T-PIECES	7,31
29	1500600545	ELITE CONNECTION PIECES (TUBES 48/42)	3,37
30	1500600551	ELITE WHEEL HOLDER	4,61
31	1500601999	ELITE PLATFORM HOLDER	3,82
32	1500600553	ELITE END CAP BIKE RAIL (x4)	3,50
33	1500600552	ELITE RAILSLIDER	6,97
34	1500600580	ELITE RAIL WITHOUT RAILSLIDERS	47,35
34	1500600581	ELITE RAIL WITH RAILSLIDERS	57,93
35	1500602021	ELITE RACK CLIP	1,19

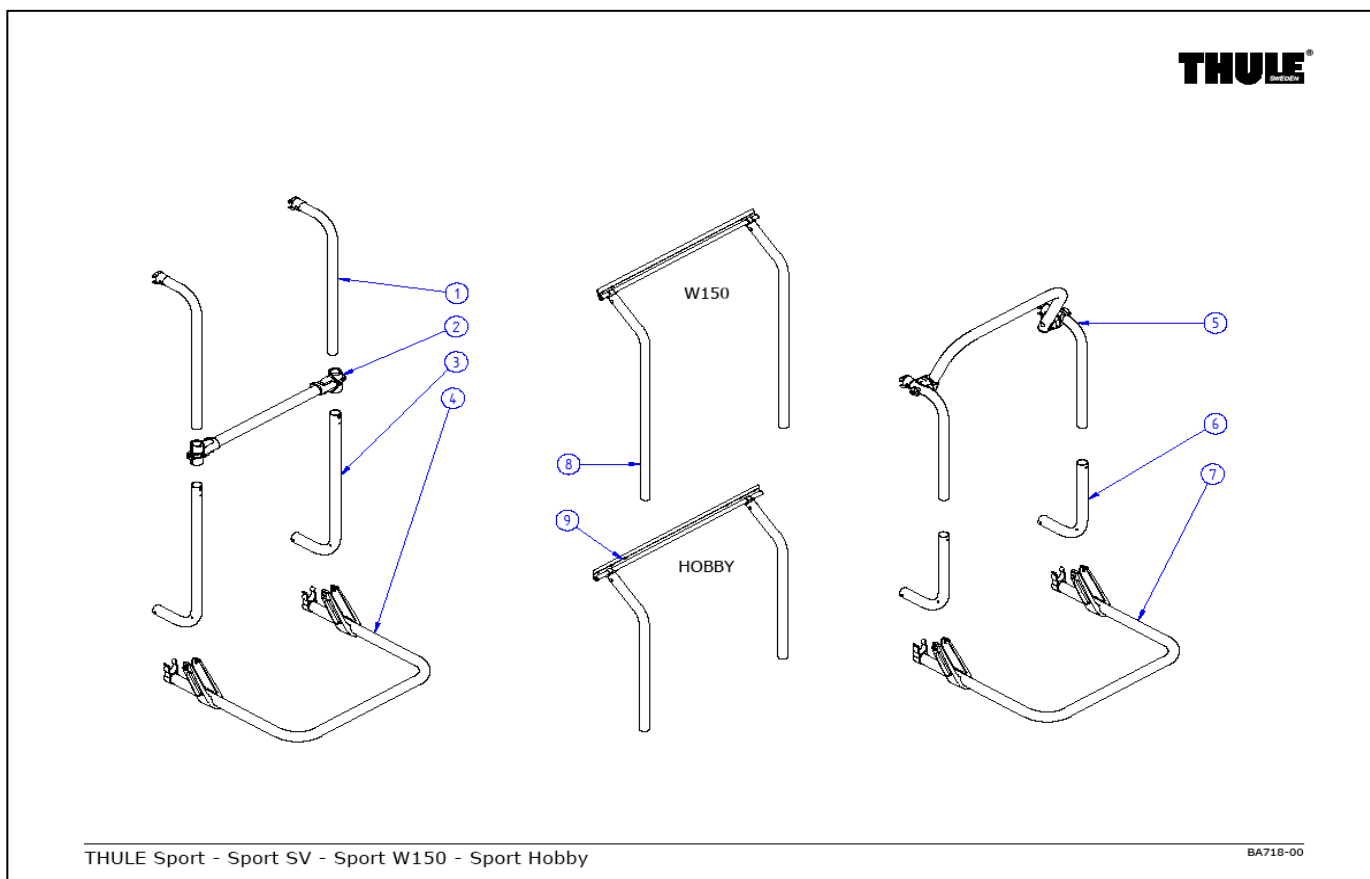
SPARE PARTS

THULE
SWEDEN

Price List 2012

Sport - 2 bikes

BA718-00



THULE Sport - Sport SV - Sport W150 - Sport Hobby

BA718-00

	ART.NR.	DESCRIPTION	End consumer € / Excl.VAT
1	1500600530	SPORT ARM (1x)	29,24
2	1500600535	SPORT CROSSBAR + T-PIECES	13,16
3	1500600536	SPORT BODY (1x)	21,93
4	1500602361	SPORT PLATFORM WITHOUT RAILS	65,00

SPARE PARTS

THULE
SWEDEN

Sport short version - 2 bikes

BA718-00

5	1500600541	SPORT VS ARMS + CROSSBAR	44,65
6	1500600542	SPORT SV BODY (1x)	15,63
7	1500602361	SPORT PLATFORM WITHOUT RAILS	65,00

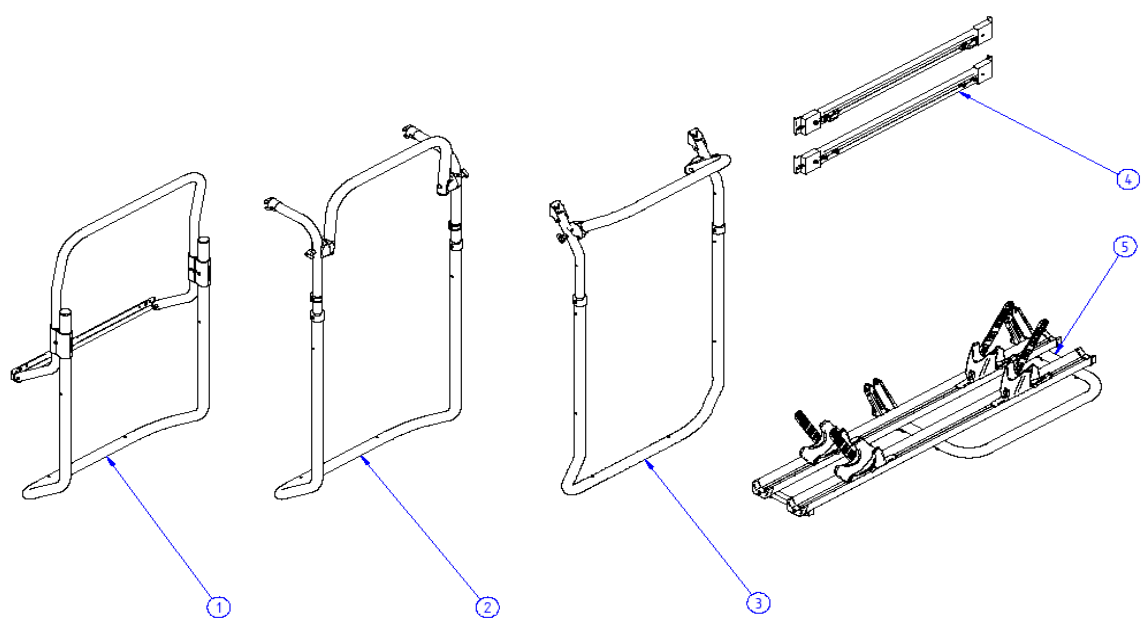
SPARE PARTS

THULE
SWEDEN

Sport W150 & Sport Hobby - 2 bikes

BA718-00

8	1500601502	SPORT W150 ARM+SUSPENSION PROFILE	32,97
9	1500601503	SPORT HOBBY ARM+SUSPENSION PROFILE	29,36



TOB Sport ducato <2007

TOB Sport ducato >2007
OB plus Ducato/Jumper/Boxer >2007

TOB Sport ducato 2011
TOB Sport ducato 2010 SP

All ducato models

THULE Sport Ducato before 2007 - Ducato 2007 to 2010 - Ducato since 2011

BA808-00

	ART.NR.	DESCRIPTION	End consumer € / Excl.VAT
1	1500601519	SPORT DUCATO 2006 FRAME	94,83
2	1500601520	SPORT DUCATO 2007 FRAME	64,69
3	1500602362	SPORT DUCATO 2011 FRAME	75,00
4	308163	SPORT DUCATO MOUNTING RAILS	143,22
5	1500602363	SPORT DUCATO PLATFORM COMPLETE	65,00

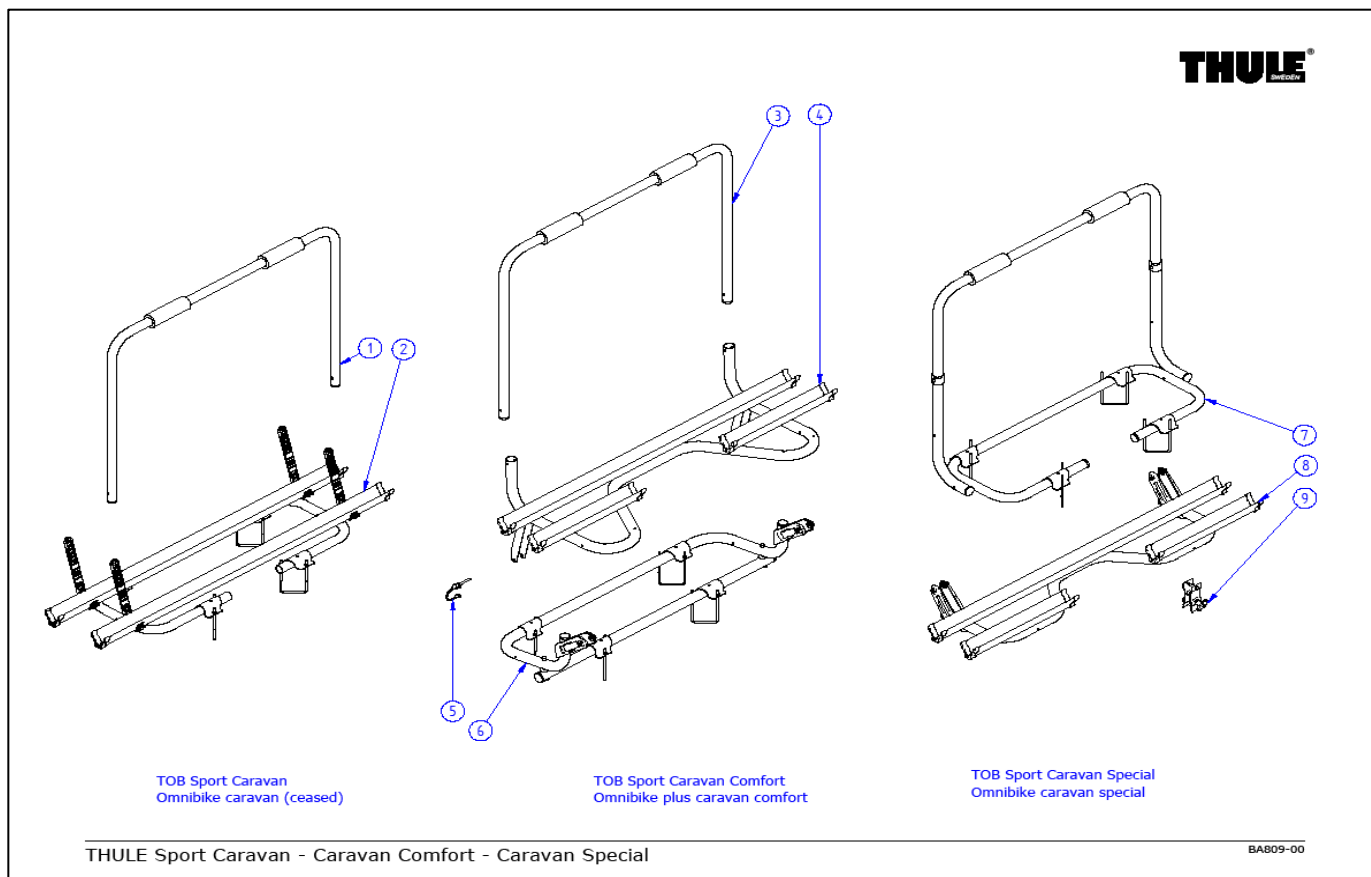
SPARE PARTS

THULE
SWEDEN

Price List 2012

Sport caravan - 2 bikes

BA809-00



	ART.NR.	DESCRIPTION	End consumer € / Excl.VAT
1	1500601510	SPORT CARAVAN BASEFRAME	32,97
2	1500601511	SPORT CARAVAN PLATFORM COMPLETE	89,97

SPARE PARTS

THULE
SWEDEN

Sport caravan comfort - 2 bikes

BA809-00

3	1500601517	SPORT CAR.COMFORT SUPPORT BAR	21,61
4	1500600477	SPORT CAR.COMFORT PLATFORM COMPLETE	84,32
5	1500601981	SPORT CAR.COMFORT SECURITY PIN (1X)	3,37
6	1500601496	SPORT CAR.COMFORT BASE WITH LOAD TUBE	69,39

SPARE PARTS

THULE
SWEDEN

Sport caravan special - 2 bikes

BA809-00

7	1500601497	SPORT CARAVAN SPECIAL BASE + SUPPORT BAR	73,81
8	1500601498	SPORT CARAVAN SPECIAL PLATFORM COMPLETE	85,55
9	1500601495	SPORT CARAVAN SPECIAL SUPPORT FOR PLATFORM (1x)	7,91

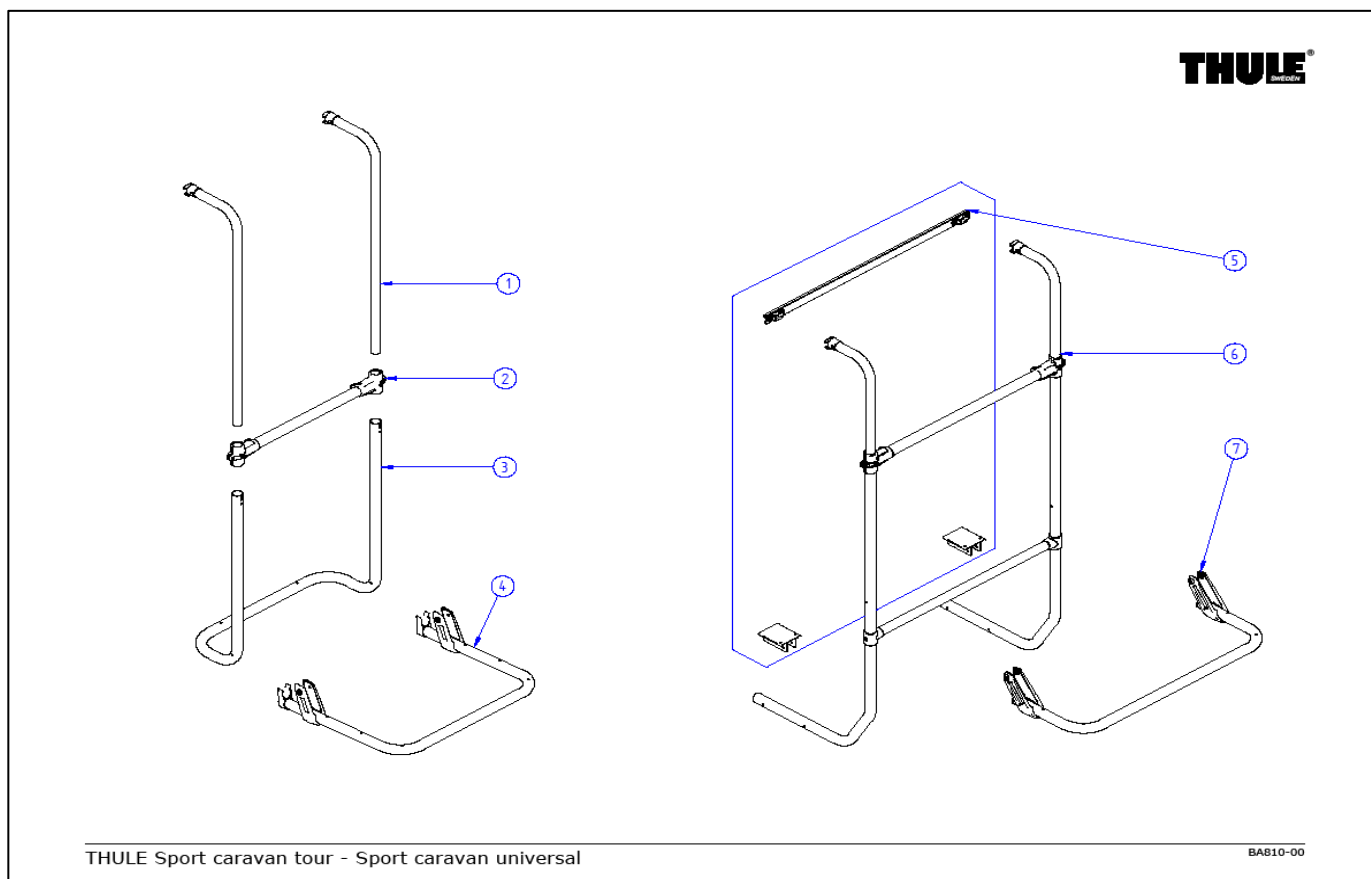
SPARE PARTS

THULE
SWEDEN

Price List 2012

Sport caravan tour - 2 bikes

BA810-00



	ART.NR.	DESCRIPTION	End consumer € / Excl.VAT
1	1500602023	SPORT CARAVAN TOUR ARM (1x)	14,63
2	1500600535	SPORT CROSSBAR + T-PIECES	13,16
3	1500601965	SPORT CARAVAN TOUR BODY	31,61
4	1500602361	SPORT PLATFORM WITHOUT RAILS	65,00

SPARE PARTS

THULE
SWEDEN

Sport caravan universal - 2 bikes

BA810-00

5	1500601512	SPORT CAR.UNIVERSAL FIXATION PROFILE	22,43
6	1500601513	SPORT CAR.UNIVERSAL FRAME COMPLETE	102,64
7	1500602364	SPORT CAR.UNIVERSAL PLATFORM WITHOUT RAILS	70,00

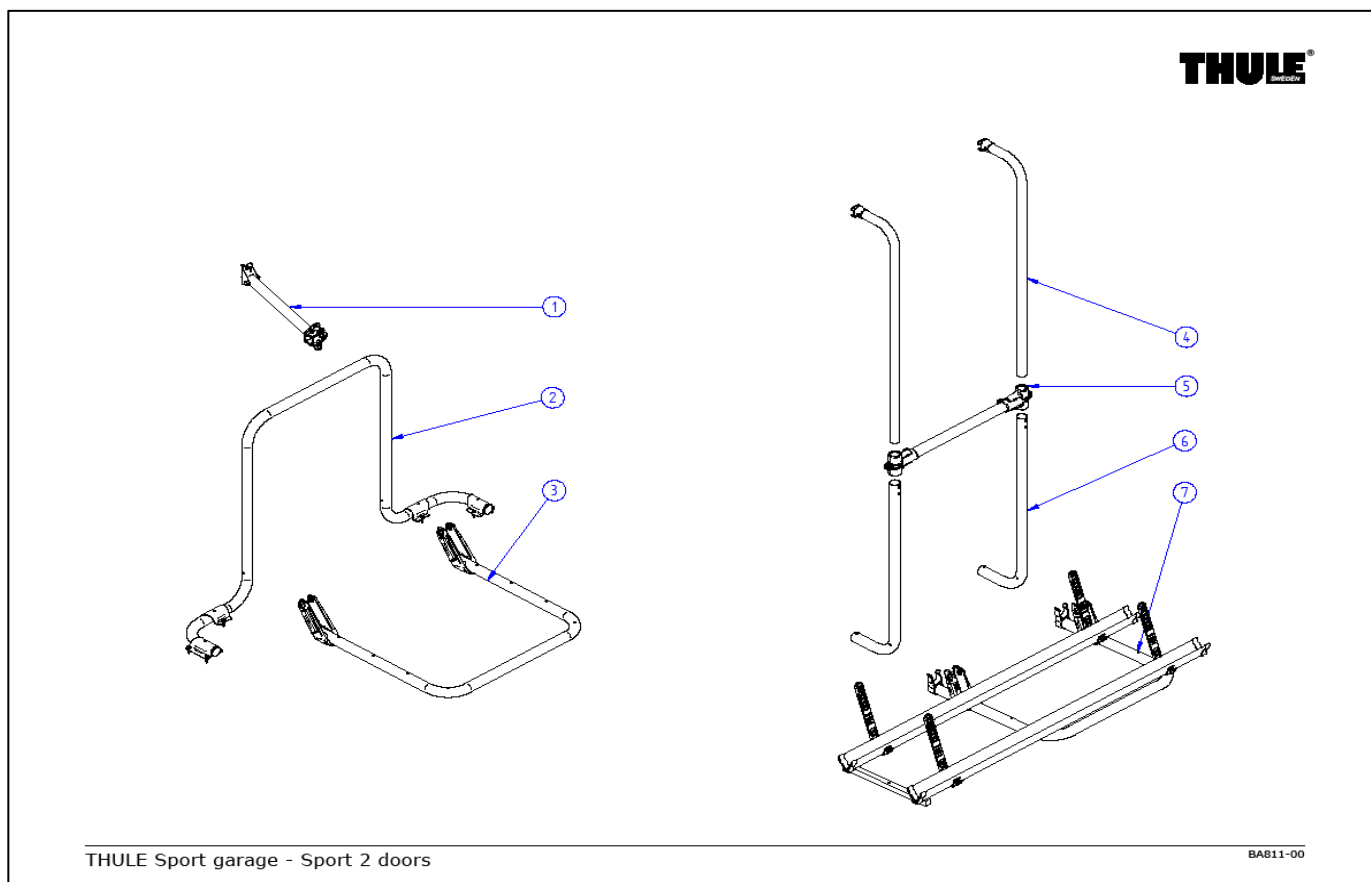
SPARE PARTS

THULE
SWEDEN

Price List 2012

Sport garage - 2 bikes

BA811-00



THULE Sport garage - Sport 2 doors

BA811-00

	ART.NR.	DESCRIPTION	End consumer € / Excl.VAT
1	1500601504	SPORT GARAGE WALL FIXATION	12,59
2	1500601505	SPORT GARAGE FRAME	45,20
3	1500602365	SPORT GARAGE PLATFORM WITHOUT RAILS	75,00

SPARE PARTS

THULE
SWEDEN

Sport 2 doors - 2 bikes

BA811-00

4	1500600530	SPORT ARM (1x)	29,24
5	1500601500	SPORT 2 DOORS CROSSBAR + T-PIECES	13,49
6	1500601507	SPORT 2 DOORS BODY	31,45
7	1500601501	SPORT 2 DOORS PLATFORM COMPLETE	87,35

SPARE PARTS

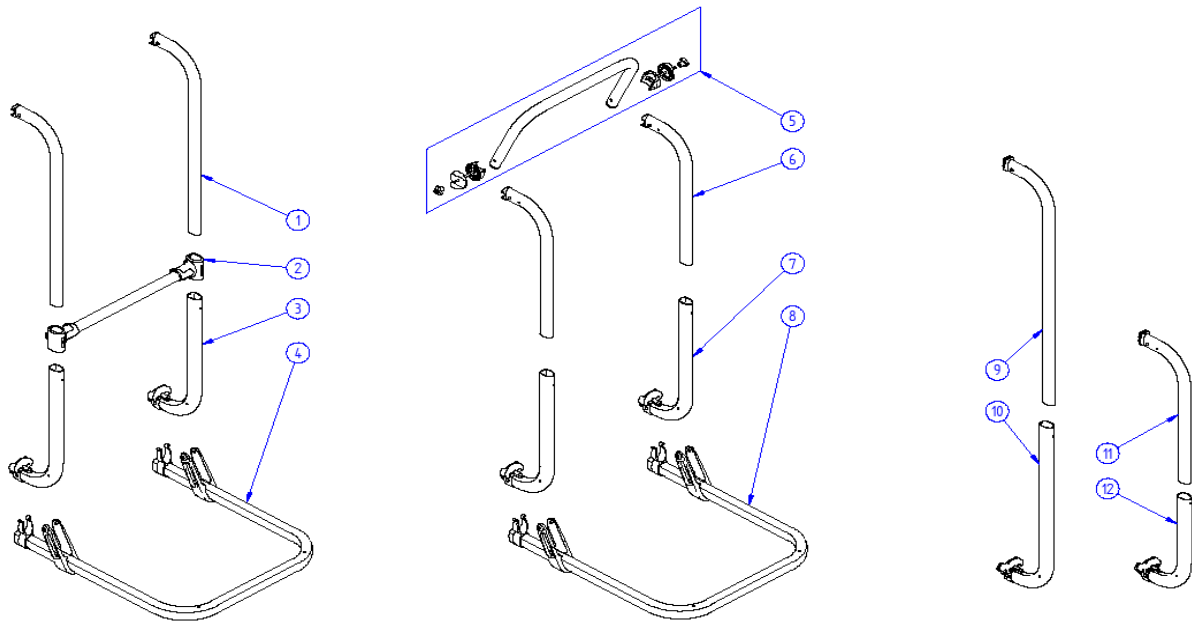
THULE
SWEDEN

Price List 2012

Elite - 2 bikes

EL715-00

THULE
SWEDEN



THULE Elite - Elite SV - Elite FH & HH - Elite FH SV

EL715-00

	ART.NR.	DESCRIPTION	End consumer € / Excl.VAT
1	1500600563	ELITE ARM (1x)	25,00
2	1500600577	ELITE CROSSBAR + T-PIECES	15,63
3	1500600578	ELITE BODY (1x)	27,50
4	1500602366	ELITE PLATFORM WITHOUT RAILS	75,00

SPARE PARTS

THULE
SWEDEN

Elite short version - 2 bikes

EL715-00

5	1500600582	ELITE SV CROSSBAR	18,00
6	1500600583	ELITE SV ARM (1x)	20,00
7	1500600584	ELITE SV BODY (1x)	27,50
8	1500602366	ELITE PLATFORM WITHOUT RAILS	75,00

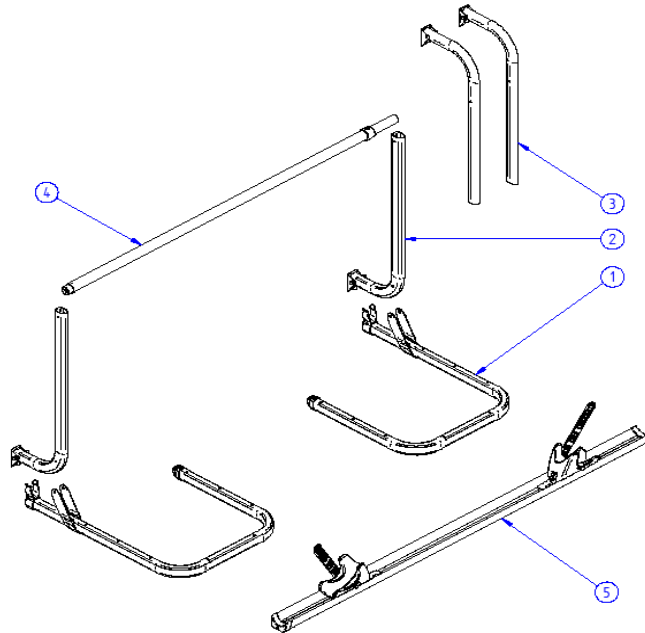
SPARE PARTS

THULE
SWEDEN

Elite FH & HH & FH SV - 2 bikes

EL715-00

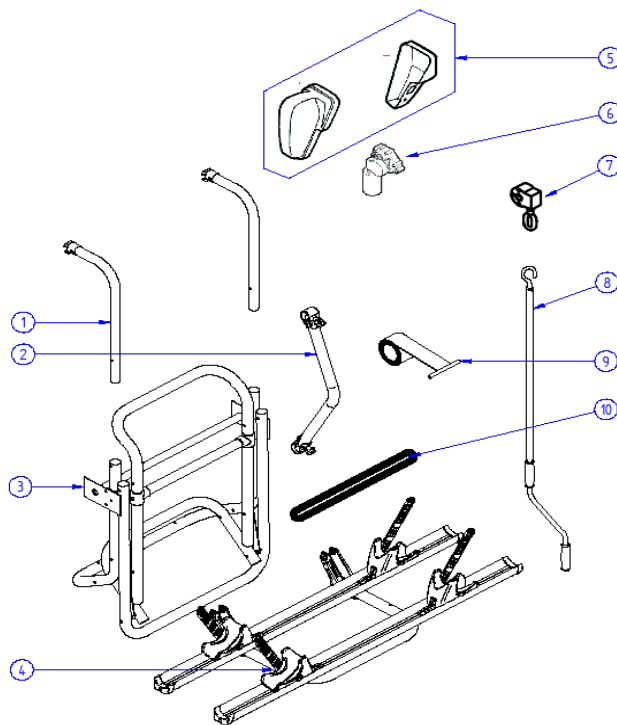
9	1500602367	ELITE FH HH ARM (1x)	25,00
10	1500602368	ELITE FH HH BODY (1x)	27,50
11	1500602369	ELITE FH SV ARM (1X)	20,00
12	1500602370	ELITE FH SV BODY (1X)	27,50



THULE Omnibike Elite Euracargo

OBM725-00

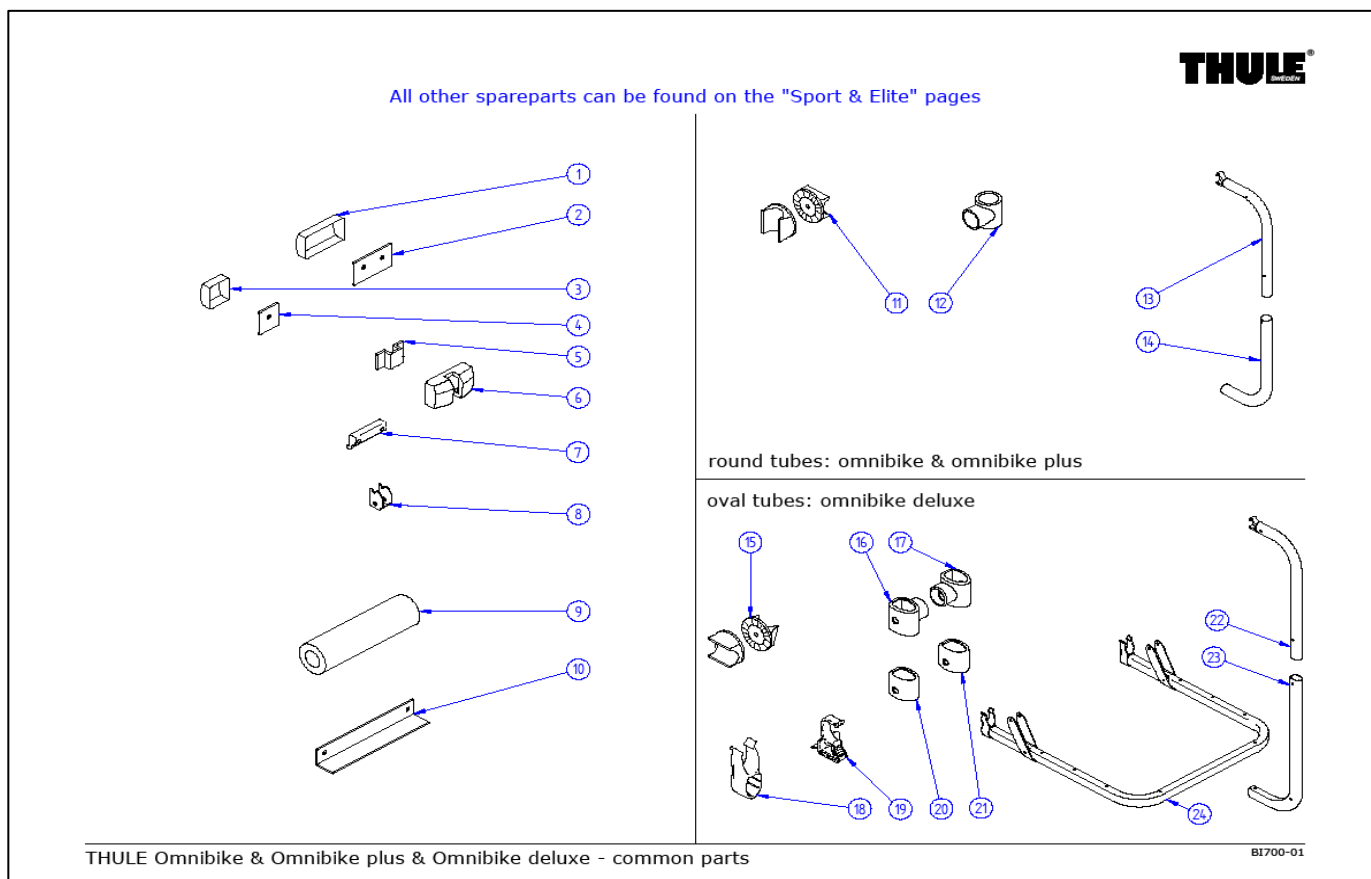
	ART.NR.	DESCRIPTION	End consumer € / Excl.VAT
1	1500601710	ELITE EURA CARGO PLATFORM (2x)	100,00
2	1500600463	ELITE EURA CARGO BASEFRAME BASE (1x)	27,50
3	1500602176	ELITE EURA CARGO BASEARM (1x)	20,00
4	1500602177	ELITE EURA CARGO CROSSBAR	29,00
5	1500602371	ELITE EURA CARGO BIKERAIL 157cm	65,00



THULE Lift since 2010

OBL708-00

	ART.NR.	DESCRIPTION	End consumer € / Excl.VAT
1	1500602372	LIFT ARM (1x)	25,00
2	1500602048	LIFT TIE TUBE	27,50
3	1500602106	LIFT FRAME COMPLETE 481MM, SINCE 2010	115,00
4	1500602373	LIFT PLATFORM COMPLETE, SINCE 2010	130,00
5	1500600505	LIFT 12V MOTOR COVER - 2PCS	50,00
6	1500600504	LIFT 12V MOTOR	201,70
7	1500601972	LIFT MANUAL GEAR	24,50
8	1500601973	LIFT MANUAL HAND CRANK	14,75
9	1500600467	LIFT STRAP - 2PCS	8,81
10	1500602000	LIFT RUBBER ELASTIC	2,10



	ART.NR.	DESCRIPTION	End consumer € / Excl.VAT
1	1500601983	COVER OPPOSITE PLATE MEDIUM	0,42
2	1500600135	ALU OPPOSITE PLATE 8 CM	2,05
3	1500601984	COVER OPPOSITE PLATE SMALL	0,28
4	1500600134	ALU OPPOSITE PLATE 4 CM	1,77
5	1500600438	CARRY-ALL SUSPENSION BOW	3,06
6	1500601991	COVER OPPOSITE PLATE MEDIUM WITH HOLE	0,90
7	308147	RAIL SUPPORT HOBBY (10sets)	gen price list
8	1500601387	OMNIBIKE BLOCKING HOOK	unavailable
9	1500601359	OMNIBIKE PROTECTING FOAM (5x)	unavailable
10	1500600434	ANGLE SUPPORT NORMAL	7,51
10	1500600435	ANGLE SUPPORT TWIN	7,51
10	1500600436	ANGLE SUPPORT LIFT AUTOSTAR	7,51
10	1500600437	ANGLE SUPPORT DELUXE	15,63
10	1500600446	ANGLE SUPPORT OB HOBBY	unavailable
10	1500601518	ANGLE SUPPORT DUCATO	7,51
11	1500601990	OMNIBIKE SV SADDLE WASHER (round fit, 1x)	1,70
12	1500601987	T-PIECE OMNIBIKE+	2,36
13	1500602002	OMNIBIKE 2 BIKES ARM (1X)	25,23
13	1500601732	OMNIBIKE 3 BIKES ARM (1X)	29,43
13	1500602017	OMNIBIKE SV 3 OR 4 BIKES ARMS + CROSSBAR	125,00
14	1500600449	OMNIBIKE 2 BIKES BODY (1X)	28,03
14	1500600450	OMNIBIKE 3 BIKES BODY (1X)	32,24
14	1500600500	OMNIBIKE SV 2 BIKES BODY (1X)	25,23

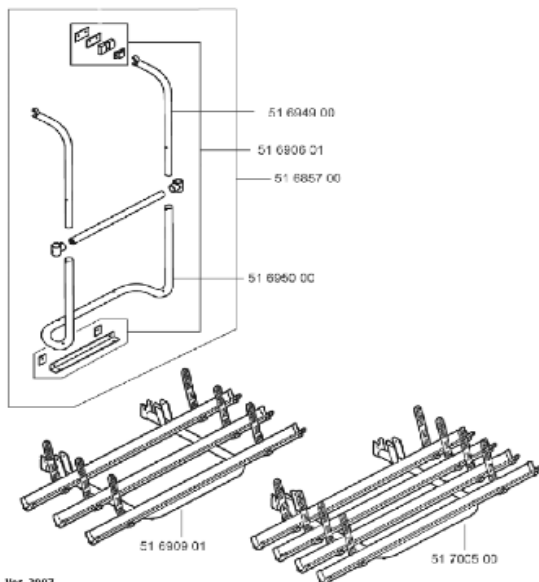
All other spareparts can be found on the "Sport & Elite" pages

round tubes: omnibike & omnibike plus

oval tubes: omnibike deluxe

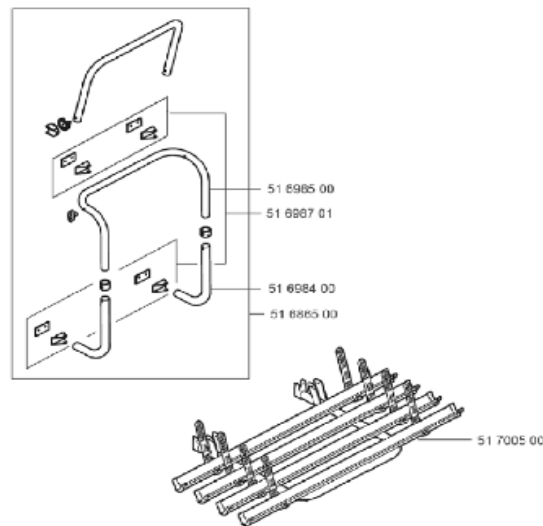
THULE Omnibike & Omnibike plus & Omnibike deluxe - common parts BI700-01

14	1500601715	OMNIBIKE SV 3 OR 4 BIKES BODY (1X)	29,43
15	1500601996	OMNIBIKE DELUXE SADDLE WASHER (oval fit, 1X)	1,68
16	1500601994	OMNIBIKE DELUXE T-PIECE LH	2,24
17	1500601995	OMNIBIKE DELUXE T-PIECE RH	2,24
18	1500601992	OMNIBIKE DELUXE ENDCAP PLATFORM	2,10
19	1500601993	OMNIBIKE DELUXE RACKHOLDER	1,68
20	1500601997	OMNIBIKE DELUXE LH CONNECTION PIECE OVAL 42/37	0,98
21	1500601998	OMNIBIKE DELUXE RH CONNECTION PIECE OVAL 42/37	0,98
22	1500600462	OMNIBIKE DELUXE ARM (1X)	26,63
22	1500602003	OMNIBIKE DELUXE SV ARMS + CROSSBAR	125,00
23	1500600463	OMNIBIKE DELUXE BODY (1X)	27,50
23	1500602004	OMNIBIKE DELUXE SV BODY (1X)	28,03
24	1500602376	OMNIBIKE DELUXE PLATFORM WITHOUT RAILS	75,00



Ver. 2007

OMNI-BIKE plus 3 bikes & 4 bikes



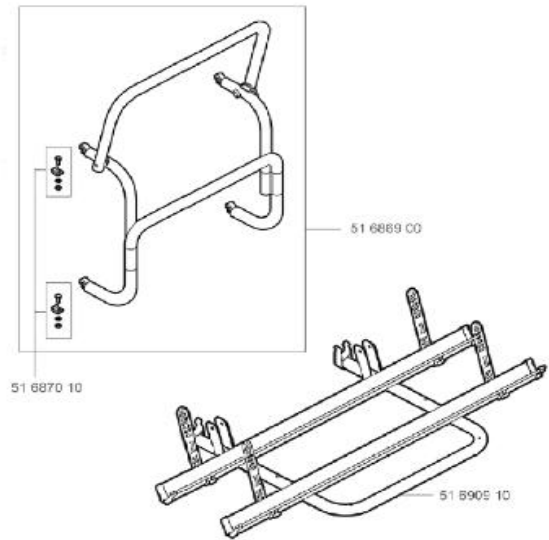
Ver. 2007

OMNI-BIKE plus Short Version 4 bikes

THULE Omnibike plus - normal and short version

BI701-01

	ART.NR.	DESCRIPTION	End consumer € / Excl.VAT
51694900	1500600497	OMNIBIKE PLUS ARM (1X)	32,18
51690601	1500600486	OMNIBIKE PLUS FIXATION KIT	31,34
51685700	1500600470	OMNIBIKE PLUS COMPLETE FRAME	134,51
51695000	1500600498	OMNIBIKE PLUS BODY	70,08
51690901	1500600488	OMNIBIKE PLUS PLATFORM COMPLETE 3 BIKES	142,97
51700500	1500600509	OMNIBIKE PLUS PLATFORM COMPLETE 4 BIKES	175,21
51698500	1500601463	OMNIBIKE PLUS SV ARM (1X)	60,27
51698701	1500602019	OMNIBIKE PLUS SV FIXATION KIT	31,34
51698400	1500602018	OMNIBIKE PLUS SV BODY (1X)	30,84
51686500	1500601778	OMNIBIKE PLUS SV COMPLETE FRAME	127,04
51700500	1500600509	OMNIBIKE PLUS PLATFORM COMPLETE 4 BIKES	175,21



THULE Omnibike plus - E

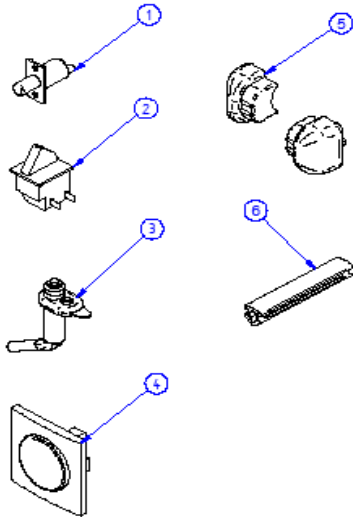
BI781-00

	ART.NR.	DESCRIPTION	End consumer € / Excl.VAT
51686900	1500602012	OMNIBIKE PLUS E COMPLETE FRAME	128,04
51687010	1500602013	OMNIBIKE PLUS E FIXATION SET	6,74
51690910	1500602016	OMNIBIKE PLUS E COMPLETE PLATFORM 2 BIKES	98,39

SPARE PARTS

THULE
SWEDEN**Price List 2012**

STEP COMMON PARTS

OSE601-01**THULE**
SWEDEN

THULE general parts steps

OSE601-01

	ART.NR.	DESCRIPTION	End consumer € / Excl.VAT
1	1500601922	DOOR SWITCH ELECTRONIC	11,55
2	1500601921	ALARM SWITCH	8,96
3	1500600394	ALARM SWITCH	8,96
4	1500600404	CONTROL SWITCH	8,96
5	1500601378	LH & RH PLUG FOOTBOARD	5,39
6	1500600433	ANTI-SLIP FOOTB.V03-3MTR-BLACK	3,85

SPARE PARTS

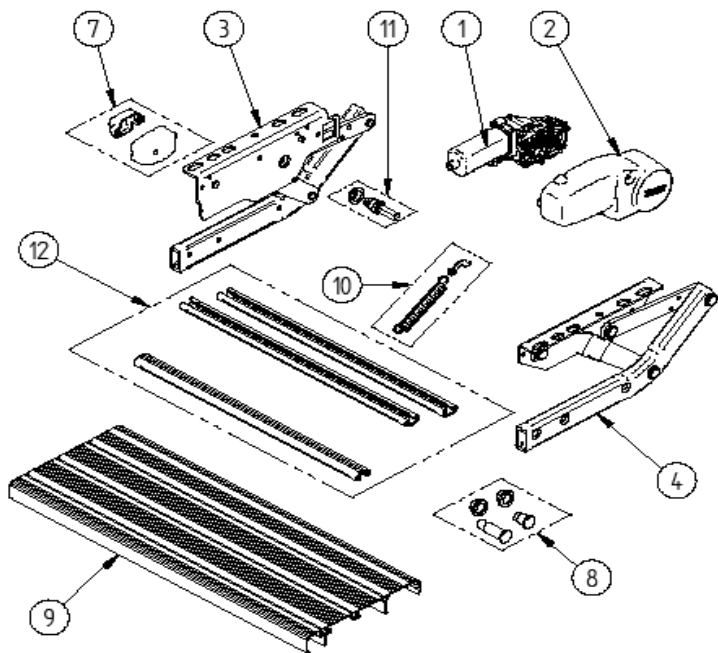
THULE
SWEDEN

Price List 2012

Thule SINGLE STEP V10

V01 - OSE600 / OSE602

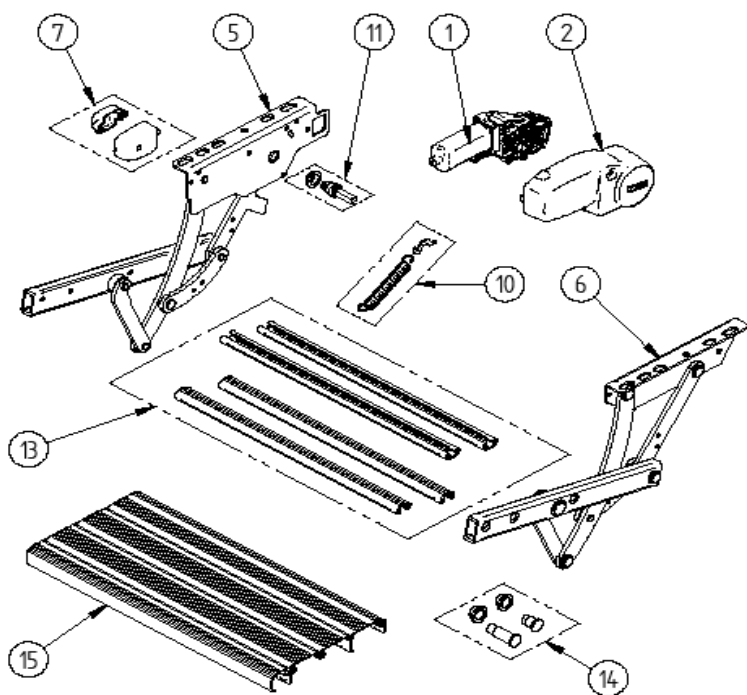
THULE



THULE Single step V10 12V & Manual

OSE600-00

THULE



THULE Single step V10 12V460 Short

OSE602-00

Thule SINGLE STEP V10

V01 - OSE600 / OSE602

	ART.NR.	DESCRIPTION	End consumer € / Excl.VAT
1	1500602263	12V MOTOR THULE STEP V10	62,40
2	1500602264	MOTOR COVER THULE STEP V10	10,40
3	1500602265	LH SIDE ASSY THULE STEP V10	57,20
4	1500602266	RH SIDE ASSY THULE STEP V10	57,20
5	1500602267	LH SIDE ASSY THULE STEP V10 SHORT	78,00
6	1500602268	RH SIDE ASSY THULE STEP V10 SHORT	78,00
7	1500602272	SWITCH PROTECTION COVER V10 (2PCS)	10,40
8	1500602273	REPAIR KIT RIVET THULE STEP V10	10,40
9	308251	FOOT BOARD SINGLE STEP 12V460	33,28
	1500602271	FOOT BOARD SINGLE STEP 12V520	35,36
	308253	FOOT BOARD SINGLE STEP 12V550 – MANUAL 550	35,36
10	1500602274	SPRING ASSY THULE STEP V10 (2PCS)	10,40
11	1500602275	MOTOR SHAFT AND BUSHING V10	12,48
12	1500602276	CON.PROFILES THULE STEP 460 V10 (3PCS)	15,60
	1500602277	CON. PROFILES THULE STEP 520 V10 (3PCS)	15,60
	1500602278	CON. PROFILES THULE STEP 550 V10 (3PCS)	17,16
13	1500602279	CON PROFILES THULE STEP 460 V10 SHORT (4PCS)	20,80
14	1500602269	REPAIR KIT RIVET THULE STEP V10 SHORT	13,52
15	1500602270	FOOT BOARD 12V460 SHORT V10	33,28

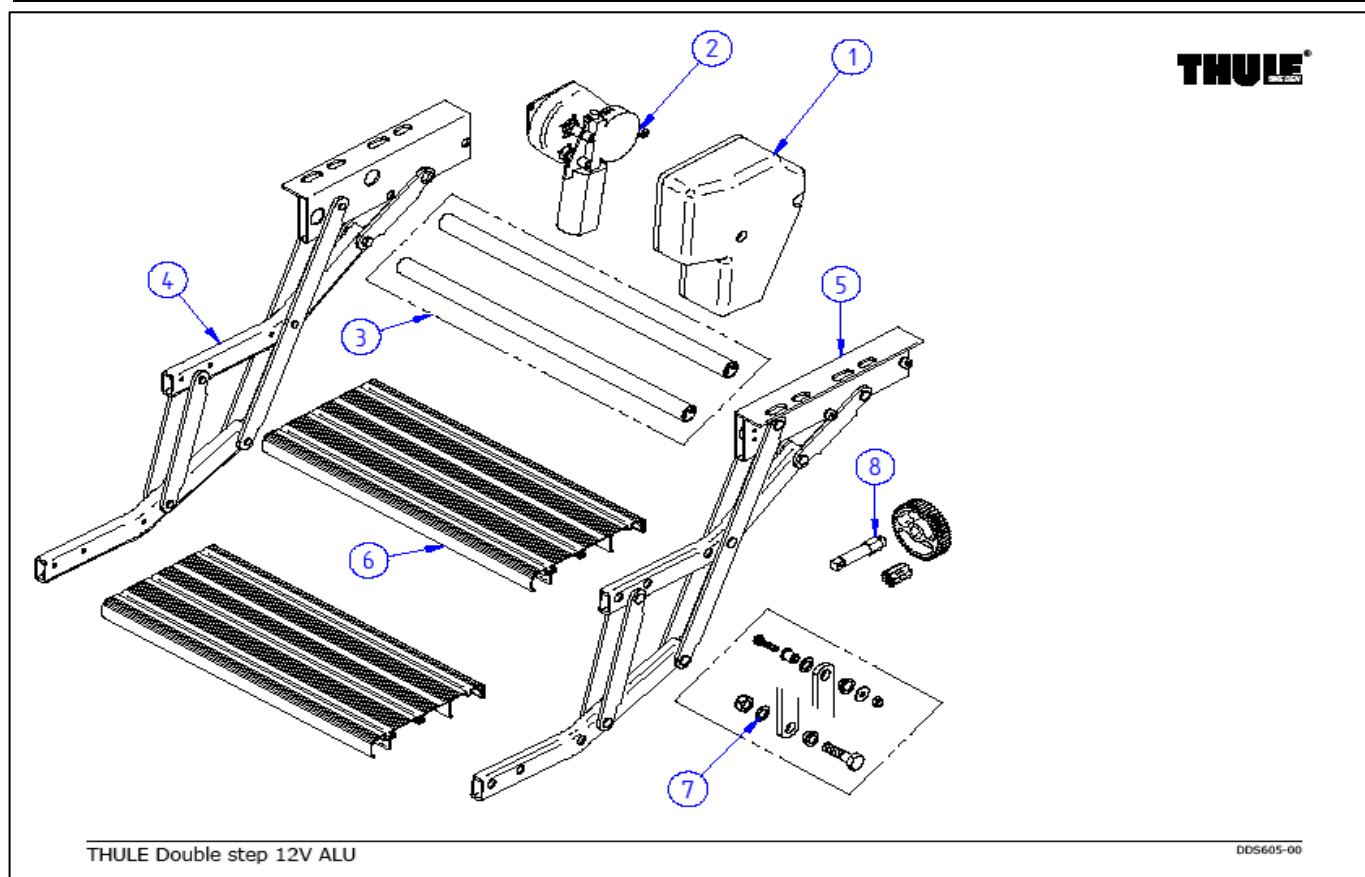
SPARE PARTS

THULE
SWEDEN

Price List 2012

Thule DOUBLE STEP

V01 – DDS 605-00



	ART.NR.	DESCRIPTION	End consumer € / Excl.VAT
1	1500600410	MOTOR CAP DOUBLE STEP (2PCS)	49,92
2	1500600416	12V MOTOR ASSY DOUBLE STEP	121,99
3	1500601928	FRAME CON. TUBE D12V380 – 2PC	11,44
	1500600417	FRAME CON. TUBE D12V440 – 2PC	11,44
	1500601432	FRAME CON. TUBE D12V500 – 2PC	11,44
	1500602280	FRAME CON. TUBE D12V550 – 2PC	12,48
4	1500600418	LH SCISSOR ASSY DOUBLE STEP	104,21
5	1500600419	RH SCISSOR ASSY DOUBLE STEP	104,21
6	308249	FOOT BOARD DOUBLE STEP12V380 – 2PC	66,56
	308250	FOOT BOARD DOUBLE STEP12V440 – 2PC	66,56
	308252	FOOT BOARD DOUBLE STEP12V500 – 2PC	70,72
	1500602281	FOOT BOARD DOUBLE STEP12V550 – 2PC	70,72
7	1500601154	REPAIR KIT RIVET DOUBLE STEP	13,52
8	1500602282	REPAIR KIT PINION DOUBLE STEP	29,43

SPARE PARTS

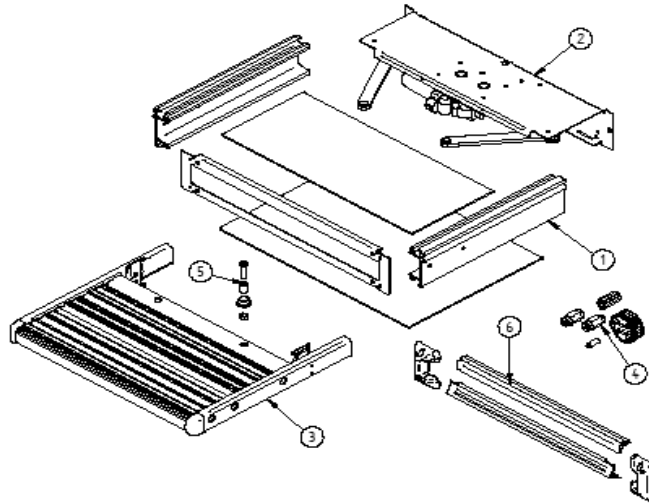
THULE
SWEDEN

Price List 2012

Thule SLIDE-OUT STEP 12V

SDA 616-00

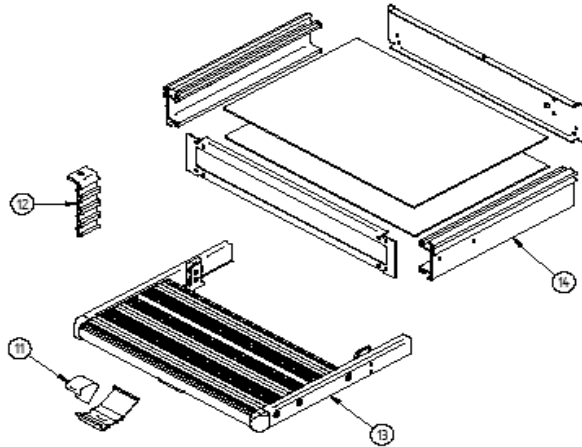
THULE



THULE Slide out 12V

SDA616-00

	ART.NR.	DESCRIPTION	End consumer € / Excl.VAT
1	1500601145	FRAME SLIDE OUT 400x310 (*)	69,49
	1500601146	FRAME SLIDE OUT 400x390 (*)	69,49
	1500601147	FRAME SLIDE OUT 400x420 (*)	69,49
	1500601757	FRAME SLIDE OUT 550x390 (*)	86,86
	1500601534	FRAME SLIDE OUT 550x420 (*)	86,86
	1500601148	FRAME SLIDE OUT 700x420 (*)	104,24
2	1500601138	MOTOR COMPLETE S/O 400x310 (*)	169,07
	1500601139	MOTOR COMPLETE S/O 400x390/420 (*)	169,07
	1500601713	MOTOR COMPLETE S/O 550x390/420 (*)	173,96
	1500601140	MOTOR COMPLETE S/O 700x420 - V2003 (*)	180,68
3	1500601141	FOOTBOARD COMPL. SLIDE OUT 400x310 (*)	86,86
	1500601142	FOOTBOARD COMPL. SLIDE OUT 400x390 (*)	86,86
	1500601143	FOOTBOARD COMPL. SLIDE OUT 400x420 (*)	86,86
	1500601756	FOOTBOARD COMPL. SLIDE OUT 550x390 (*)	104,26
	1500601731	FOOTBOARD COMPL. SLIDE OUT 550x420 (*)	104,26
	1500601144	FOOTBOARD COMPL. SLIDE OUT 700x420 (*)	121,61
	(*)	420 = Standard step 390 = Special step : Hobby / Sprinter / Trigano 310 = Special step : Hymer Exsis	
4	1500602377	REPAIR KIT PINION SLIDE-OUT	29,46
5	1500601156	REPAIR KIT CONNECTION FOOTBOARD S/O DD	4,77
6	1500601379	DIRT PROTECTION SLIDE OUT 400	11,81
	1500601380	DIRT PROTECTION SLIDE OUT 550	13,09
	1500601381	DIRT PROTECTION SLIDE OUT 700	14,38



THULE Slide out manual

SDA618-00

	ART.NR.	DESCRIPTION	End consumer € / Excl.VAT
11	1500600427	LOCK SLIDE OUT MANUAL	3,53
12	1500601157	FIXATION KIT SLIDE OUT MANUAL	14,69
13	1500601779	FOOTBOARD COMPL. SLIDE OUT MANUAL	75,11
14	1500601969	FRAME SLIDE OUT MANUAL	64,65

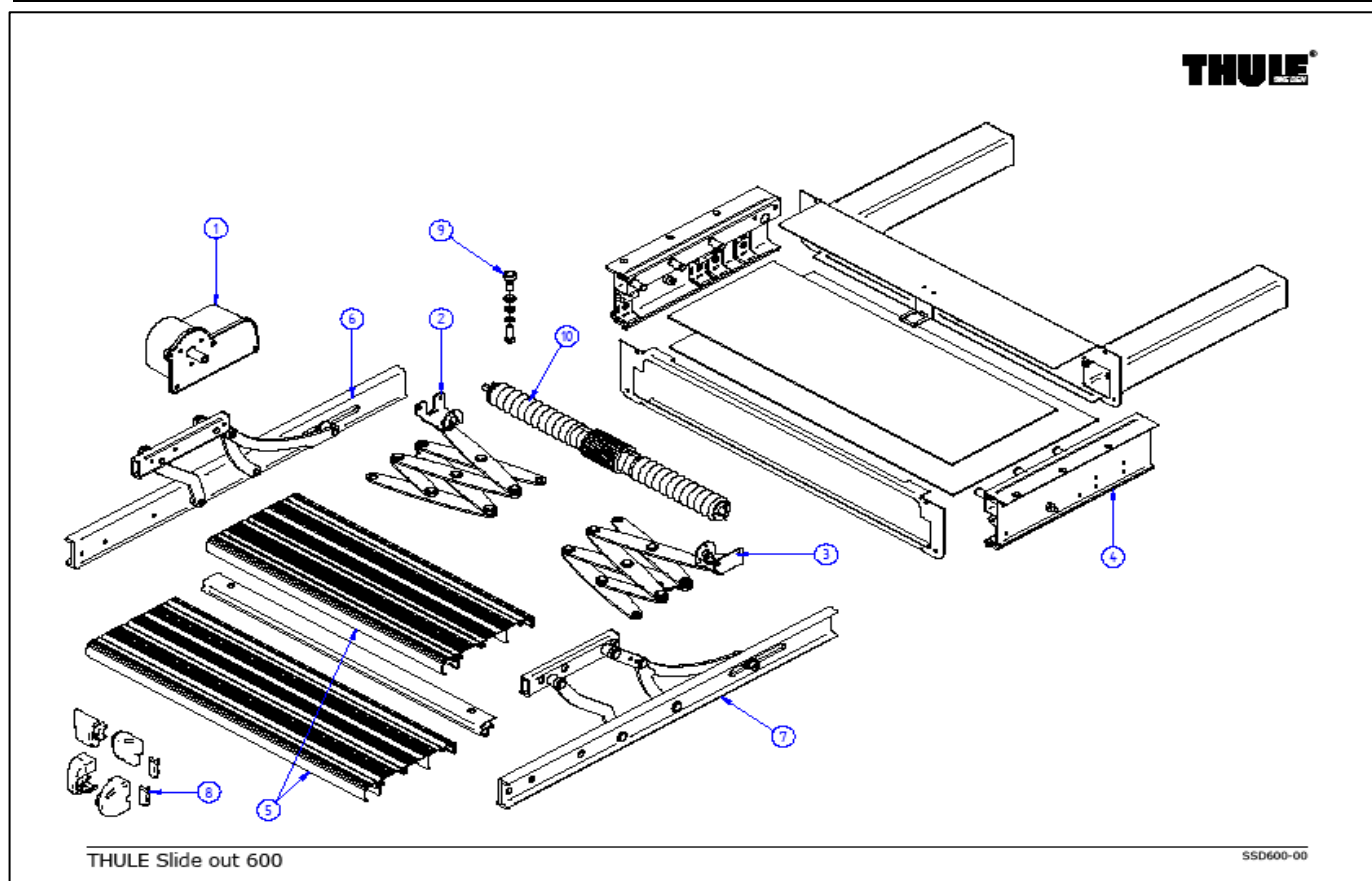
SPARE PARTS

THULE
SWEDEN

Price List 2012

Thule SLIDE-OUT LIFT

SSD 600-00

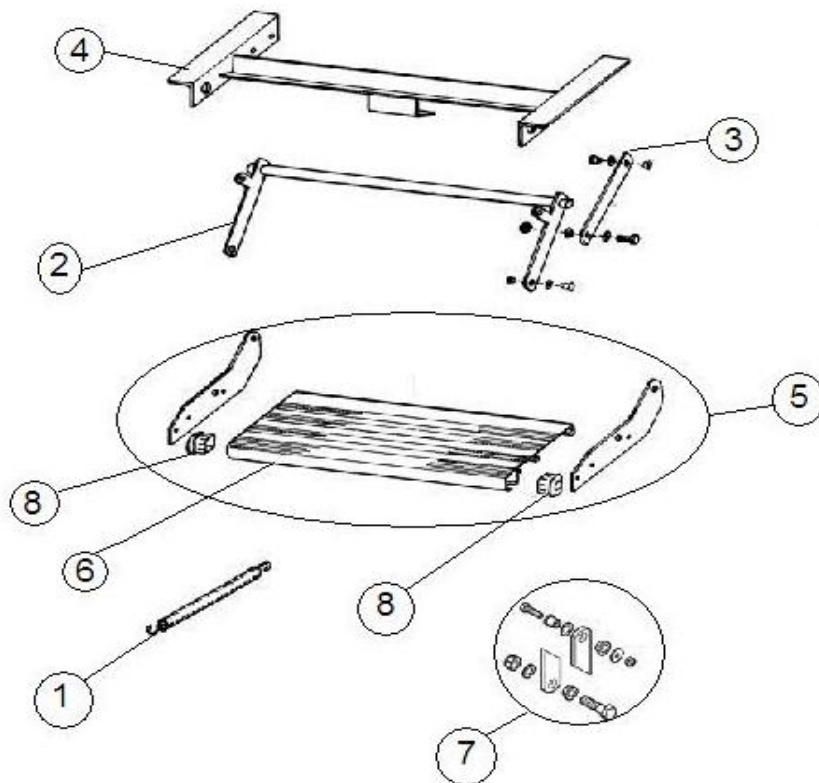


	ART.NR.	DESCRIPTION	End consumer € / Excl.VAT
1	1500602150	12V MOTOR ASSY SLIDE-OUT LIFT	#N/B
2	1500602344	LH DRIVING SCISSOR ASSY SLIDE-OUT LIFT	90,48
3	1500602345	RH DRIVING SCISSOR ASSY SLIDE-OUT LIFT	90,48
4	1500602346	FRAME SLIDE-OUT LIFT	259,48
5	1500602347	FOOT BOARD SLIDE-OUT LIFT - 2PC	72,80
6	1500602348	LH SIDE ASSY SLIDE-OUT LIFT	59,80
7	1500602349	RH SIDE ASSY SLIDE-OUT LIFT	59,80
8	1500602350	END CAPS SLIDE-OUT LIFT - 6PC	13,00
9	1500602149	GEAR NUT REPAIR KIT	#N/B
10	1500602351	DRIVING SHAFT SLIDE-OUT LIFT	260,00

SPARE PARTS

THULE
SWEDEN**Price List 2012**

Thule SINGLE STEP MANUAL 47



	ART.NR.	DESCRIPTION	End consumer € / Excl.VAT
1	1500601963	SPRING MANUAL 47	3,58
2	1500601418	FRONT LINK ASSY	28,66
3	1500601962	REAR LINK MANUAL 47 (2 pcs)	10,73
4	1500600397	FRAME MANUAL 47	42,99
5	1500601420	FOOTBOARD COMPL. MANUAL 47	52,29
6	1500600402	FOOTBOARD MANUAL 47	28,05
7	1500601152	REPAIR KIT RIVET	12,54
8	1500601378	LH & RH PLUG FOOTBOARD	5,39

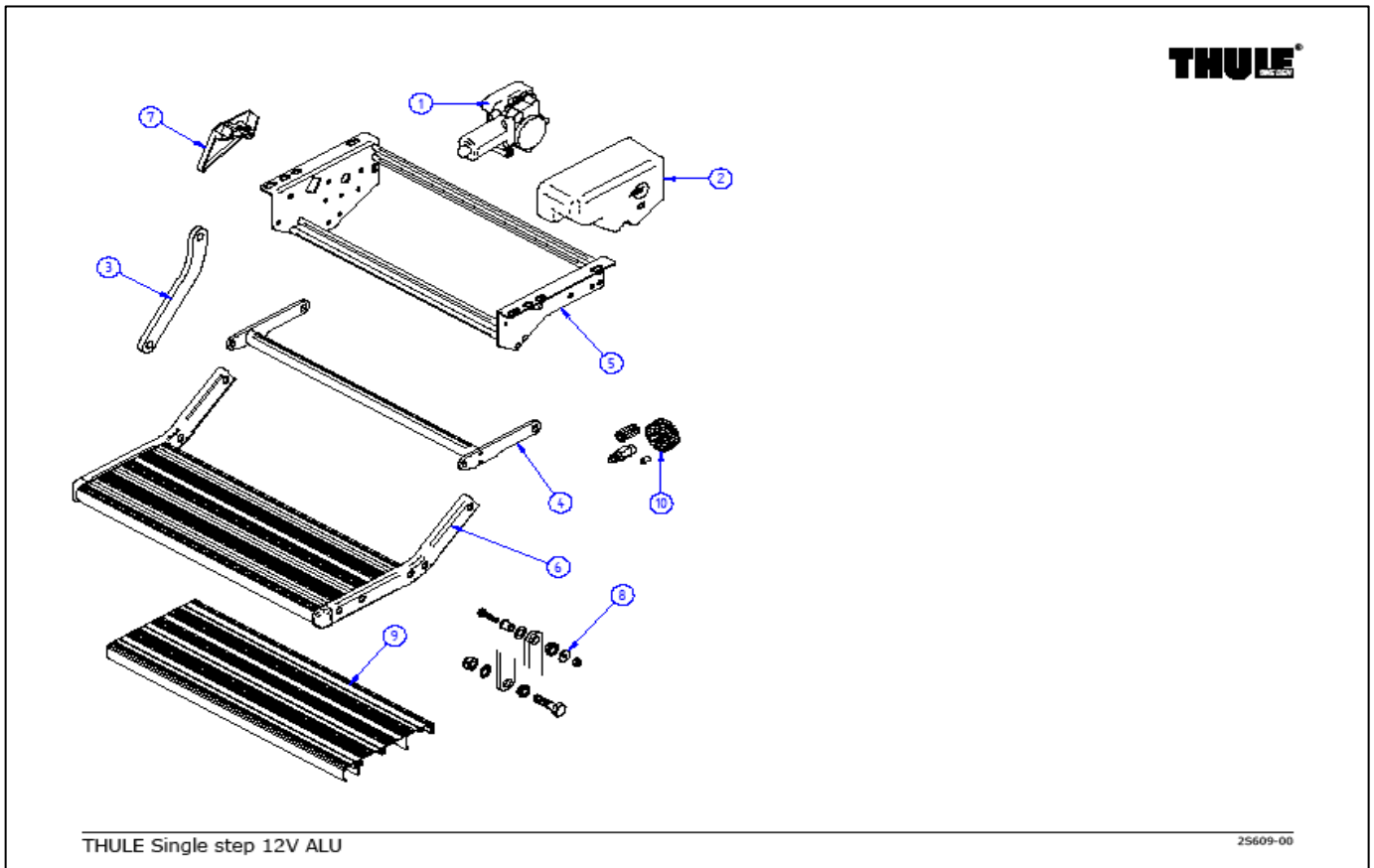
SPARE PARTS

THULE
SWEDEN

Price List 2012

Thule SINGLE STEP V02

2S609-00



THULE Single step 12V ALU

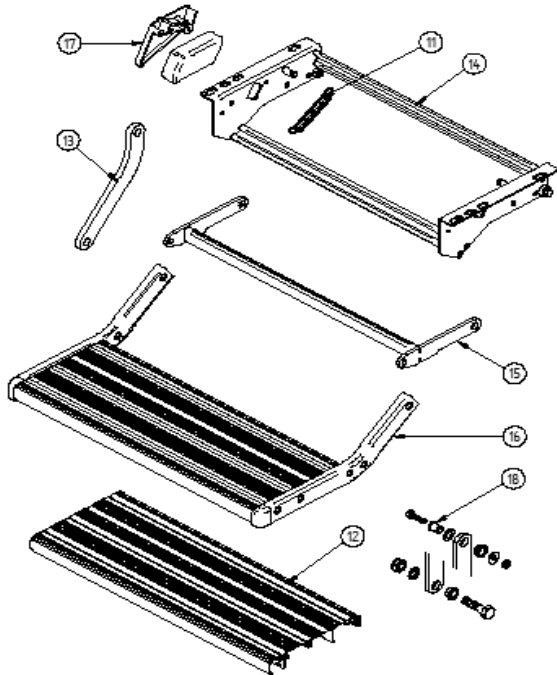
2S609-00

	ART.NR.	DESCRIPTION	End consumer € / Excl.VAT
1	1500600413	MOTOR COMPLETE	169,07
2	1500600415	MOTOR CAP	40,43
3	1500600420	FRONT LINK 550/460 (2PCS)	14,31
4	1500600421	REAR LINK 12 V 460	27,80
	1500600422	REAR LINK 12 V 550	27,80
5	1500600423	FRAME 12 V 460	57,30
	1500600424	FRAME 12 V 550	57,30
6	1500600425	FOOTBOARD 12 V 460	65,40
	1500600426	FOOTBOARD 12 V 550	65,40
7	1500601149	SWITCH PROTECTION CAP OUTSIDE	6,74
8	1500601153	REPAIR KIT RIVET V2001	12,54
9	308251	FOOT BOARD 12V460 - ANTI-SLIP	33,28
	308253	FOOT BOARD 12V550 - ANTI-SLIP	35,36
10	1500601155	REPAIR KIT PINION	29,46

SPARE PARTS

THULE
SWEDEN**Price List 2012**

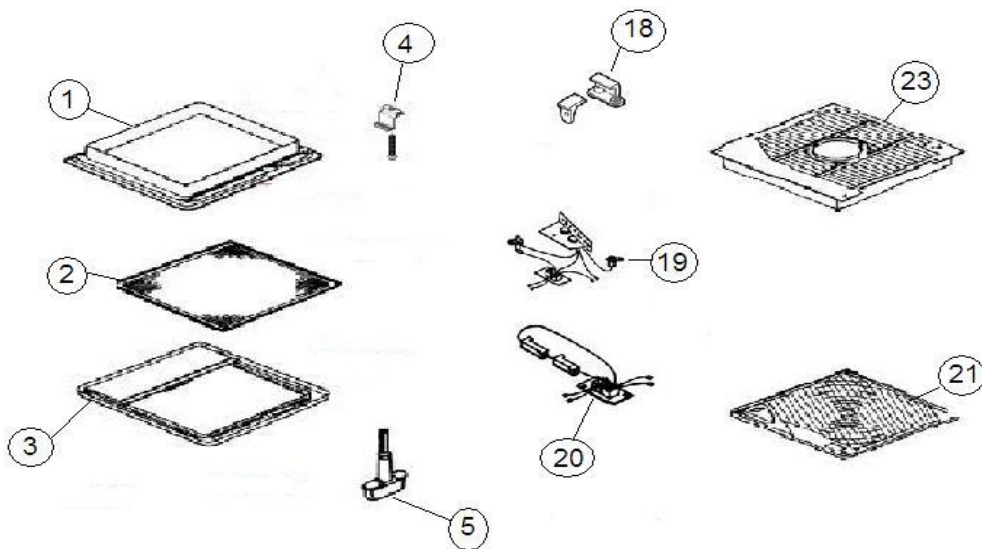
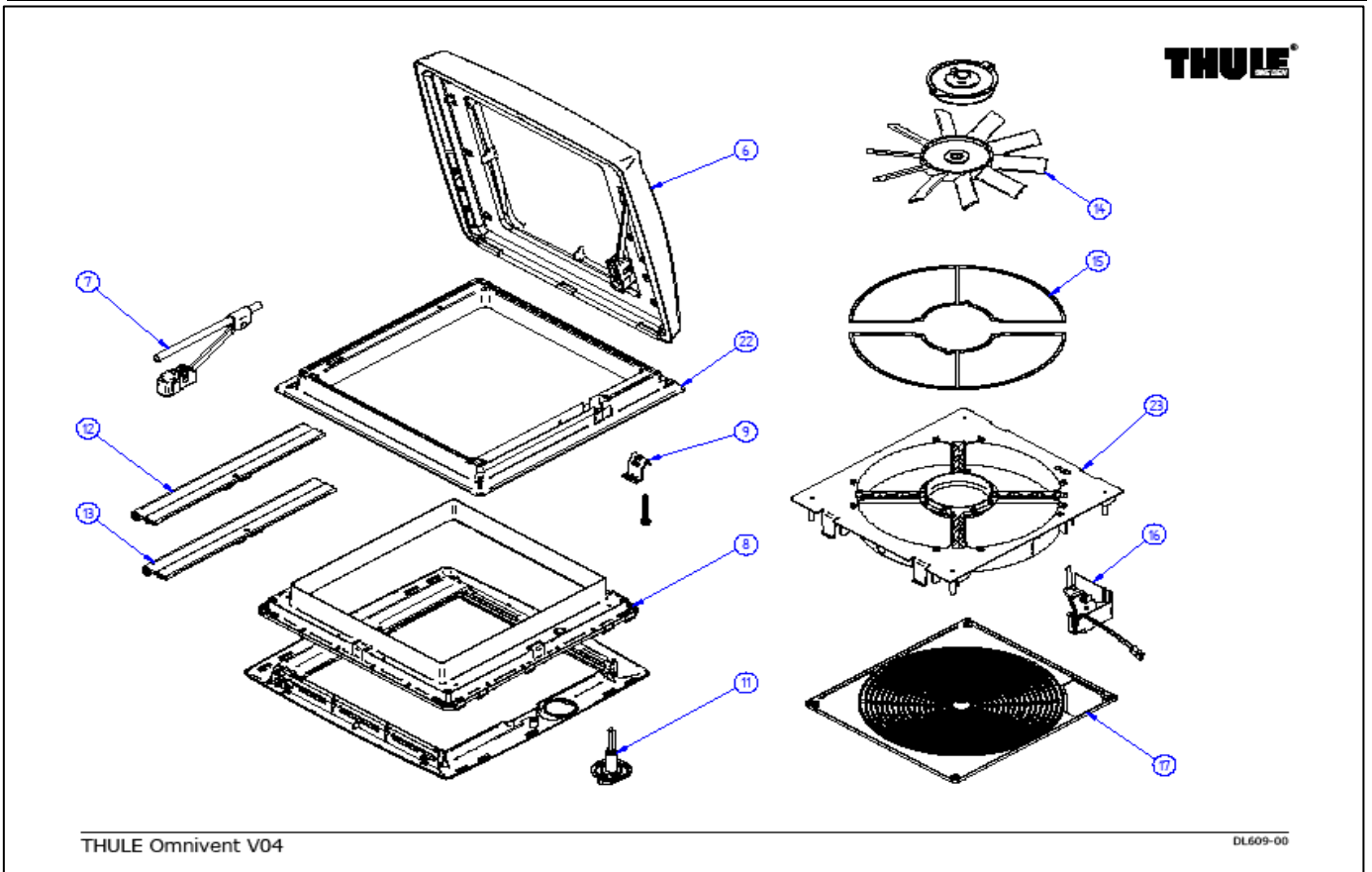
Thule SINGLE STEP V02 MANUAL

2S610-00

THULE Single step manual ALU

2S610-00

	ART.NR.	DESCRIPTION	End consumer € / Excl.VAT
11	1500601966	SPRING MANUAL 550	3,58
12	308253	FOOTBOARD MANUAL 550	35,36
13	1500600420	FRONT LINK 550 (2 pcs)	14,31
14	1500601967	FRAME MANUAL 550	57,30
15	1500601433	REAR LINK MANUAL 550	28,66
16	1500600426	FOOTBOARD COMPL. MANUAL 550	65,40
17	1500601149	SWITCH PROTECTION CAP OUTSIDE	6,74
18	1500601153	REPAIR KIT RIVET V2001	12,54



Thule ROOFLIGHT

DL609-00

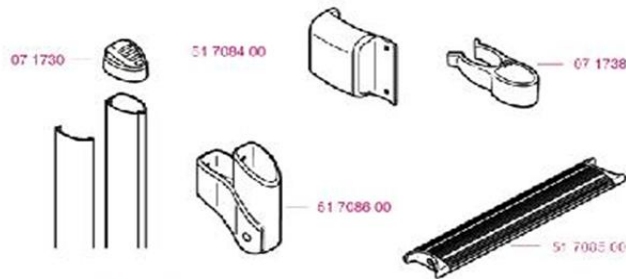
	ART.NR.	DESCRIPTION	End consumer € / Excl.VAT
1	1500601784	INNER HATCH FRAME GREY	6,92
2	1500600692	MOSQUITO SCREEN	7,16
3	1500600697	CURTAIN FRAME WITH ROLLO	28,66
4	1500600693	HARDWARE PACKAGE	6,76
5	1500600699	KNOB WITH SQUARE SHAFT	3,93
6	1500600707	DOME TRANSP + OPERATION DEVICE	82,72
	1500601443	DOME WHITE + OPERATION DEVICE	48,81
	1500601444	DOME TRANSL + OPERATION DEVICE	48,81
7	1500601364	OPERATING DEVICE	17,16
8	1500601786	INNER HATCH FRAME CREAM	8,09
9	1500600694	HARDWARE PACK. OMNIVENT V04	6,76
10	308229	RETROFIT CURTAIN FRAME V04	44,54
11	1500600712	OPERATING KNOB CREAM ASSY	4,04
12	1500600709	ROLLO MOSQUITO ASSY	11,44
13	1500600710	ROLLO CREAM ASSY	14,56
14	1500600700	MOTOR + FAN BLADE VENTILATOR	67,68
15	1500601718	SET MOSQUITO NET VENTILATOR	10,59
16	1500601719	ELECTR STEERING V08	45,89
17	1500601720	VENTILATOR GRID V08	9,83
18	1500600719	RETROFIT LOCK	2,64
19	1500600696	EL. CONTROL + THERMOST.	92,56
20	1500600701	CONTROL SYSTEM - 3 SPEED	51,95
21	1500600703	VENTILATOR GRID 12V ELECTRIC	7,16
	1500600704	VENTILATOR GRID ELECTRONIC	9,31
22	1500600698	OUTER HATCH FRAME+HINGE	12,54
23	1500601785	VENTILATOR FRAME <2008	10,40

SPARE PARTS

THULE
SWEDEN

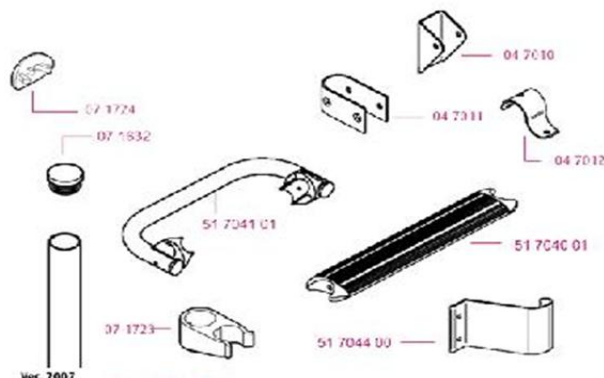
Price List 2012

Thule LADDER and ROOFRAIL

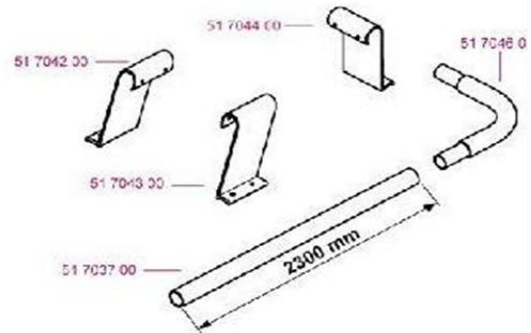


Ver. 2007

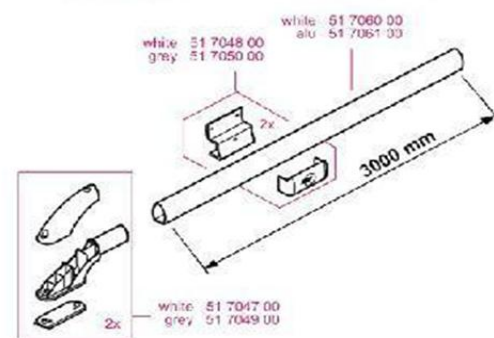
Thule Ladder – Ladder Deluxe



Thule Ladder – Ladder



Thule Ladder – Roof Rack



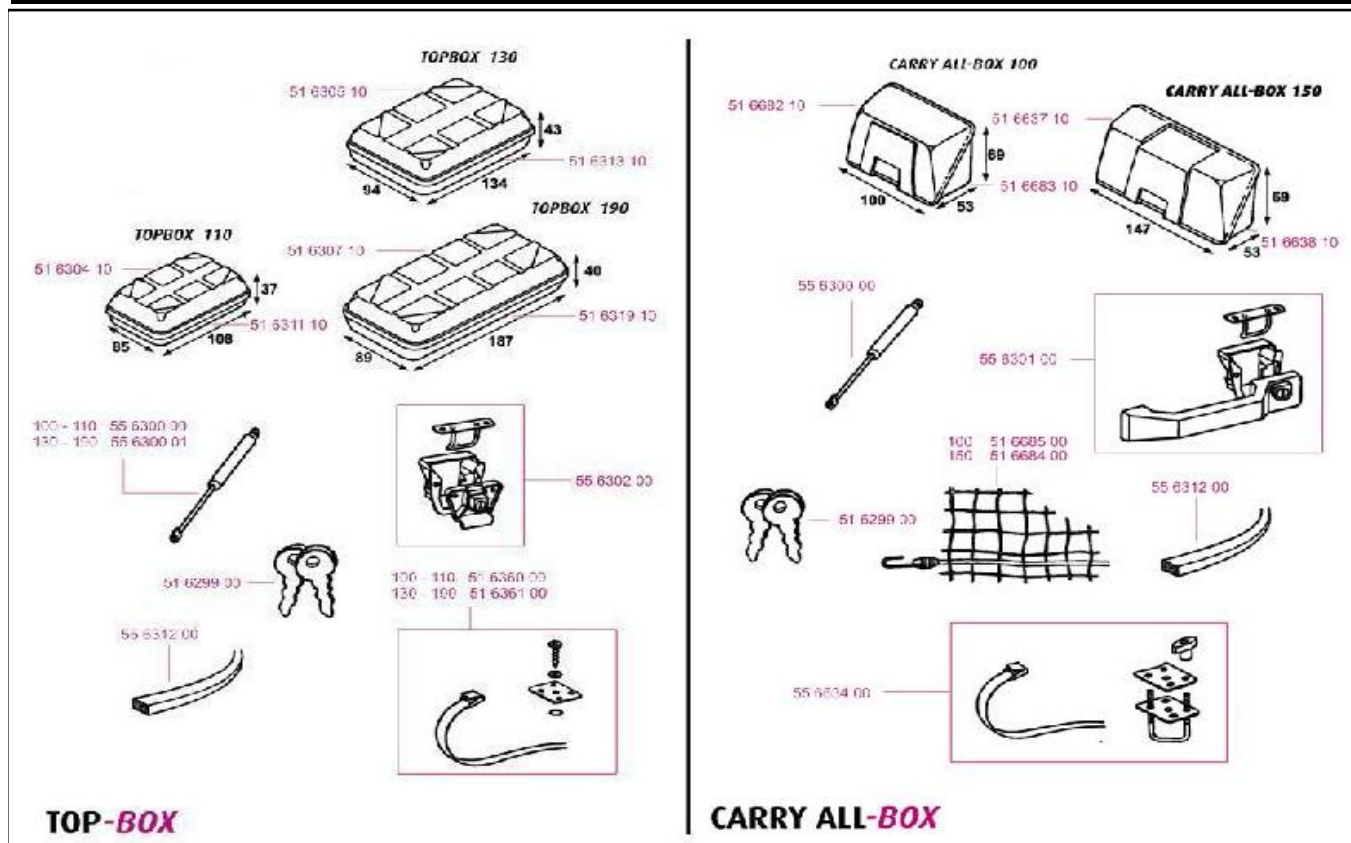
Thule Ladder – Roof Rack Deluxe

	ART.NR.	DESCRIPTION	End consumer € / Excl.VAT
47010	1500601979	FOOT SUPPORT OMNIBIKE DIAM 30	4,93
47011	1500602036	HINGE DOUBLE LADDER	8,96
47012	1500602037	BEDHOOK	8,96
71632	1500602038	TUBE PLUG BLACK Ø30	0,38
71723	1500602039	TUBE CLIP DOUBLE LADDER	2,56
71724	1500602040	COVER PLUG LADDER	0,17
71730	1500602041	OVAL PLUG OMNILADDER DELUXE	0,59
71738	1500602042	OVAL CLIP OMNILADDER DELUXE	2,64
51703700	1500602043	TUBE DIAM 30 L=2,30M	25,96
51704001	1500602044	RUNG LADDER	7,16
51704101	1500600516	BUMPER DOUBLE LADDER	35,82
51704200	1500600517	LH LADDER SUPPORT - 80MM/20	7,16
51704300	1500600518	RH LADDER SUPPORT - 80MM/20	7,16
51704400	1500600519	LADDER SUPPORT - 80MM	7,16
51704601	1500600520	BEND 90°	14,32
51704700	1500600521	ENDCAP ROOF RACK ASSY WHITE	24,41
51704800	1500600522	SUPPORT ROOF RACK ASSY WHITE	21,42
51704900	1500600523	END CAP ROOF RACK ASSY GREY	24,41
51705000	1500600524	SUPPORT ROOF RACK ASSY GREY	21,42
51706000	1500601759	OVAL TUBE L=3.0M WHITE	35,15
51706100	1500601782	OVAL TUBE L=3.0M ANO	35,15

SPARE PARTS**THULE**
SWEDEN**Price List 2012****Thule LADDER and ROOFRAIL**

51708000	1500600525	FIXATION KIT LADDER DOUBLE 10S	19,90
51708100	1500600526	FIXATION KIT LADDER SINGLE 6S	23,75
51708200	1500602045	FIXATION KIT LADDER 4 STEPS	31,33
51708400	1500600527	SUPPORT OVAL OMNILADDER DELUXE	7,93
51708500	1500600528	RUNG OMNILADDER	7,29
51708600	1500600529	HINGE OVAL OMNILADDER DELUXE	29,97

Thule BOXES



	ART.NR.	DESCRIPTION	End consumer € / Excl.VAT
5162900	1500600377	SET OF 2 KEYS TOP-BOX	17,89
51630410	1500601725	TO BOX 110 COVER WHITE	221,30
51630510	1500601723	TOP BOX 130 COVER WHITE	283,12
51630710	1500601404	TOP BOX COVER 190CM	357,05
51631110	1500601724	TOP BOX 110 BOTTOM WHITE	231,44
51631310	1500601722	TOP BOX 130 BOTTOM WHITE	323,48
51631910	1500601721	TOP BOX 190 BOTTOM WHITE	397,94
51636000	1500601521	INSTAL INSTR TOP BOX 110-110	21,68
51636100	1500601472	INST INSTR TOPBOX 130 190 4pc	24,02
55630000	1500601339	GASSPRING ASSY 100N	18,24
55630001	1500601340	GAS SPRING ASSY 200N	18,24
55630200	1500601343	LOCK+PROTECTION+HOOK CLASS/TB	21,51
55631200	1500601349	FOAM RUBBER CLASS/CARALL/COMBI	7,16
51663710	1500601728	CARRY ALL BOX 150 COVER WHITE	328,14
51663810	1500601727	CARRY ALL BOX 150 BOTTOM WHITE	319,25
51668210	1500600441	CARRY ALL BOX 100 COVER	278,35
51668310	1500601726	CARRY ALL BOX 100 BOTTOM	251,56
51668400	1500600442	MESHED NET ASSY FOR CA BOX 150	22,76
51668500	1500601524	MESHED NAT ASSY CA BOX 100	17,03
55630100	1500601342	LOCK+PROTECTION+HOOK COM/CARAL	30,61
55663400	1500601353	FIXAT. MATERIAL CARRY ALL 4PC	31,51