

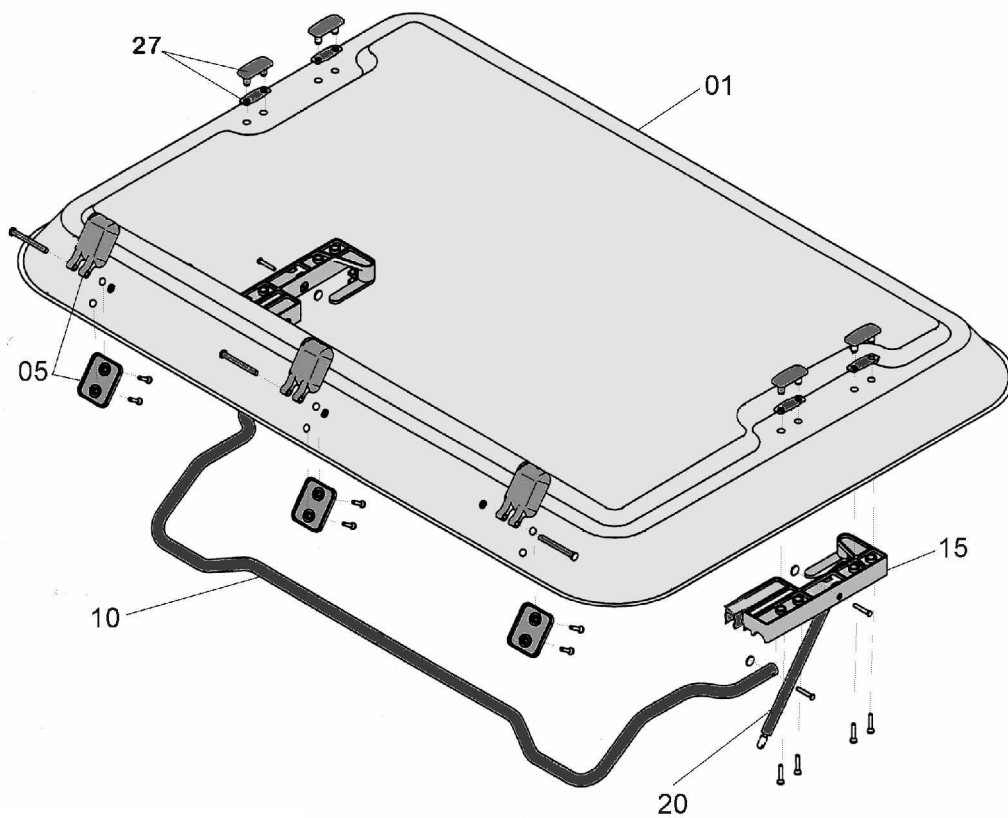
Spare Parts Heki 2

Acrylic Dome

| Standard colours | Code |
|-----------------------|------|
| RAL 1015 ivory * | 12 |
| RAL 7035 light grey * | 09 |
| RAL 9001 cream | 25 |

| | Description | Part No. | Pack. Unit |
|----|---|----------|------------|
| 01 | Glazing panels without fixing | 570E01 | 1 |
| 05 | Hinge with fixings | 570E05 | 1 |
| 10 | Operating bar with fixing | 570E10 | 1 |
| 15 | Stay support, left and right-hand with clamps | 570e35 | 1 set |
| 20 | Stay with fixings | 570E20 | 1 |
| 27 | Cover | 570E27 | 1 set |
| 30 | Glazing panel with (Pos. 01 to 27) | 570E30 | 1 |

Important: When ordering specify - description, colour, quantity.



* = only for manufacturers

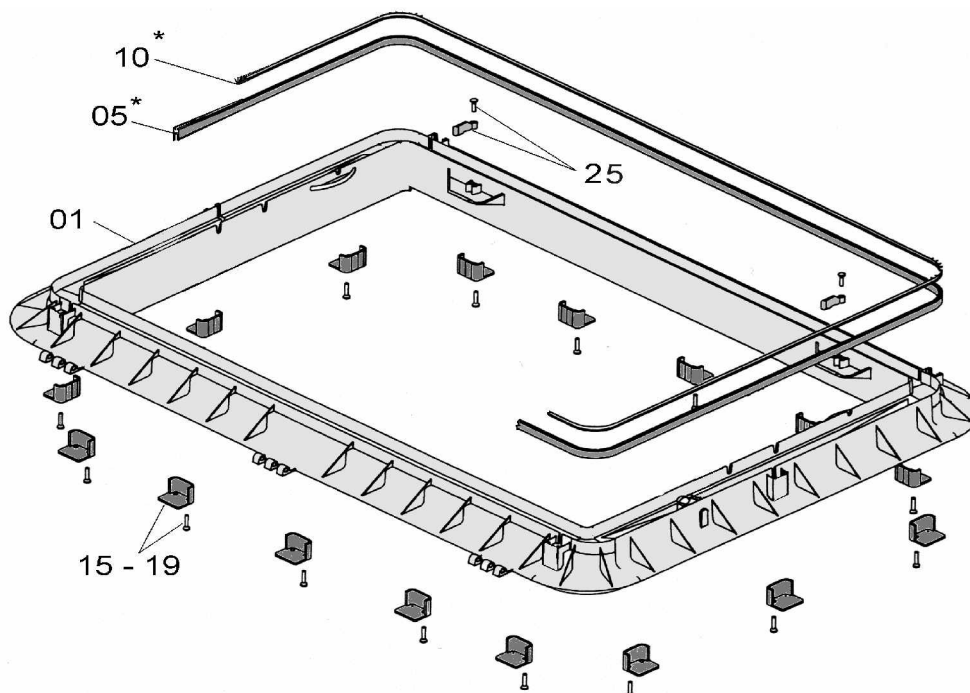
Spare Parts Heki 2

Exterior Frame

| Standard colours | Code |
|------------------------|------|
| RAL 1015 ivory ** | 12 |
| RAL 7035 light grey ** | 09 |
| RAL 9001 cream | 25 |

| | Description | Part No. | Pack. Unit |
|----|--|-----------|------------|
| 01 | Exterior frame without fixings | 590E01... | 1 |
| 05 | Brush profile* | 590E05 | 1 |
| 10 | Brush* | 590E10 | 1 |
| 15 | Fixing with screws (wall thickness 25-32 mm), grey | ZUB1347 | 1 set |
| 16 | Fixing with screws (wall thickness 32-39 mm), black | ZUB1348 | 1 set |
| 17 | Fixing with screws (wall thickness 39-46 mm), yellow | ZUB1349 | 1 set |
| 18 | Fixing with screws (wall thickness 46-53 mm), blue | ZUB1350 | 1 set |
| 19 | Fixing with screws (wall thickness 53-60 mm), red | ZUB1351 | 1 set |
| 25 | Closing brackets for operating bar | 590E25 | 1 set |
| 30 | Complete exterior frame (pos. 01/15/25) | 590E30... | 1 |

Important: When ordering specify - description, colour, quantity.



* = until 10/98

** = only for manufacturers

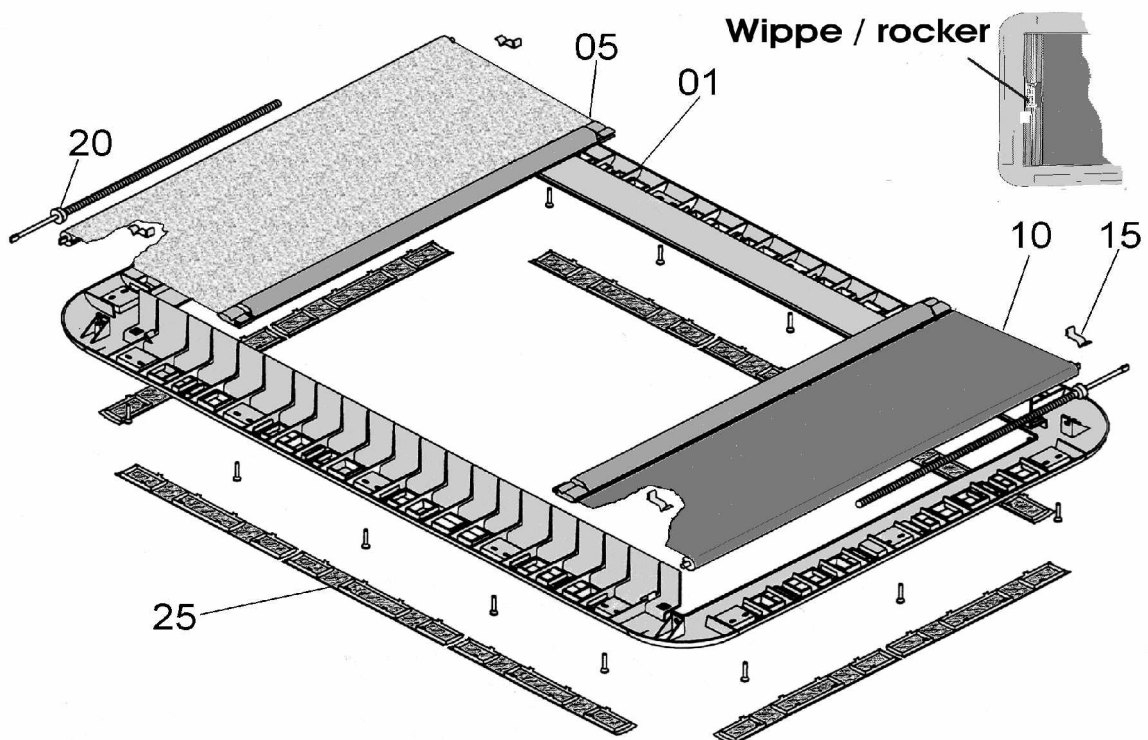
Spare Parts Heki 2

Interior Frame

| Standard colours | Code |
|-----------------------|------|
| RAL 1015 ivory * | 12 |
| RAL 7035 light grey * | 09 |
| RAL 9001 cream | 25 |

| | Description | Part No. | Pack. Unit |
|----|---|-----------|------------|
| 01 | Interior frame with fixing screws | 580E01... | 1 |
| 05 | Complete flynet ready to fix ** | 580E05 | 1 set |
| 10 | Complete blind ready to fix** | 580E10... | 1 set |
| 15 | Holding bracket | 580E15 | 1 set |
| 20 | Spring motor | FM0082 | 1 |
| 25 | Ventilation profile | 560E35... | 1 set |
| 30 | Complete interior frame (incl. Pos. 01 to 25) | 580E30... | 1 |

Important: When ordering specify - description, colour, quantity.



* = only for manufacturers

** = model without locking-seesaw: Exchange of Pos. 05 and 10 at the same time.