

S5 – Window *

Art. 1126

Content

Ordering Details

Dimensions S5-Window

Technical Drawings S5-Window

Spare Parts S5-Window Interior Frame

**Spare Parts for Exterior Frames are equally to S4-
Windows!**

* = only for manufacturers

Ordering Details S5-window

Version: .. Top hung window
.. Sliding window left hand
.. Sliding window right hand
.. Fixed window

Glass: .. Toughened glass clear*
.. Acrylic grey

Wall thickness: _____ mm

Ordering sizes: Width: _____ mm

(see list on page 3/5) Height: _____ mm

Colour:

Exterior frame .. RAL 9005
.. RAL * _____

Interior Frame .. RAL 9001 creamwhite
.. RAL 1015 pearl white
.. RAL 7035 light grey

Profile
silver
anodiz

Blind .. grey / grey _____
.. grey / beige _____

Shower blind * .. opaque* ← _____

Fly net .. white

Customer: _____ **Part No. Customer:** _____

Remarks: _____

Signature: _____ **Date:** _____

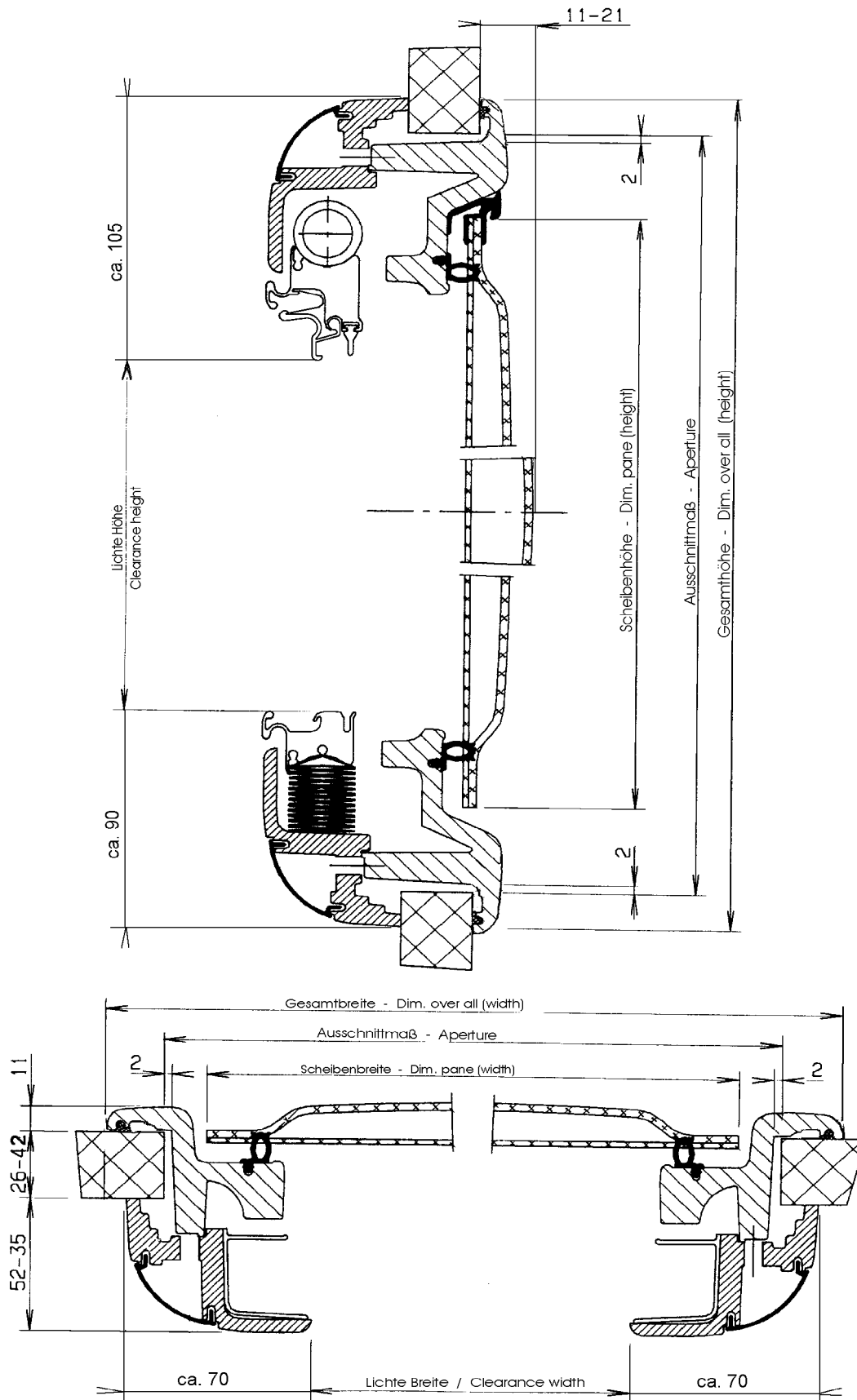
* = only for manufacturers

Dimensions S5 - Window

**) for manufacturers only, E = production stopped, only spare parts available, (x) = on request

ordering size	top hung window	top hung window	sliding window	sliding window	fixed window	fixed window	total dimension	aperture size	corner radius	top hung window clearance	dim. pane top hung/fixed window	dimension pane sliding wind. fix.	dimension pane sliding window move.	dimension pane sliding window
width x height	acrylic	tough.	acrylic	tough.	acrylic	tough.	width x height	width x height		width x height	width x height	width x height	width x height	width x height
350 x 500	X	X**		X**	X**	E	393 x 531	343 x 498	R 12	240 x 345	318 x 434	135 x 426	207 x 426	
500 x 300	X			X**	X**		544 x 330	499 x 298	R 12	390 x 145	468 x 232			
500 x 350	X			X**	X**		544 x 380	500 x 348	R 12	390 x 195	468 x 282	210 x 276	282 x 276	
500 x 450	X		X	X**	X**		544 x 480	500 x 448	R 12	390 x 295	468 x 382	210 x 376	282 x 376	246 x 376
500 x 600	X	X**		X**	X**		544 x 631	499 x 599	R 12	390 x 445	468 x 534	210 x 526	282 x 526	
550 x 550	X	X**		X**	X**		594 x 581	549 x 549	R 12	440 x 395	518 x 484	235 x 476	307 x 476	
550 x 580	X	X**	X	X**	X**		594 x 611	548 x 578	R 12	440 x 425	518 x 512	235 x 506	307 x 506	271 x 506
550 x 600	X	X**		X**	X**	E	594 x 631	549 x 599	R 12	440 x 445	518 x 534	235 x 526	307 x 526	
600 x 350			X	X**		E	644 x 380	599 x 348	R 12	490 x 195	568 x 276	260 x 276	332 x 276	296 x 276
600 x 500	X	X**	X	X**	X**		644 x 531	599 x 498	R 12	490 x 345	568 x 434	260 x 426	332 x 426	296 x 426
600 x 600	X	X**	X	X**	X**		644 x 631	599 x 599	R 12	490 x 445	568 x 534	260 x 526	332 x 526	296 x 526
650 x 300	X			X**	X**		695 x 330	650 x 298	R 12	540 x 145	618 x 232	285 x 226	357 x 226	
700 x 300	X	X**	X	X**	X**		745 x 330	700 x 298	R 12	590 x 145	668 x 232	310 x 226	382 x 226	346 x 226
700 x 350	X			X**	X**		745 x 380	699 x 347	R 12	590 x 195	668 x 282			
700 x 400	X	X**	X	X**	X**		745 x 430	702 x 398	R 12	590 x 245	668 x 332	310 x 326	382 x 326	346 x 326
700 x 450	X		X	X**	X**		745 x 481	702 x 448	R 12	590 x 295	668 x 382	310 x 376	382 x 376	346 x 376
700 x 500	X			X	X		745 x 531	700 x 498	R 12	590 x 345	668 x 434			
700 x 550	X		X	X**	X**		745 x 581	700 x 549	R 12	590 x 395	668 x 484	310 x 476	382 x 476	346 x 476
700 x 600	X	X**	X	X**	X**		745 x 631	702 x 599	R 12	590 x 445	668 x 534	310 x 526	382 x 526	346 x 526
750 x 400	X		X	X**	X**		797 x 430	750 x 398	R 12	640 x 245	718 x 332	335 x 326	407 x 326	371 x 326
750 x 450	X			X**	X**		797 x 481	750 x 447	R 12	640 x 295	718 x 382			
750 x 600	X	X**	X	X**	X**		797 x 631	750 x 599	R 12	640 x 445	718 x 534	335 x 526	407 x 526	371 x 526
800 x 350	X		X	X**	X**		846 x 380	800 x 347	R 12	690 x 195	768 x 282	360 x 276	432 x 276	396 x 276
800 x 450	X		X	X**	X**		846 x 481	801 x 450	R 12	690 x 295	768 x 382	360 x 376	432 x 376	396 x 376
800 x 480	E		E				846 x 511	800 x 477	R 12	690 x 325	768 x 412			396 x 406
900 x 400	X		X	X**	X**		948 x 430	902 x 398	R 12	790 x 245	868 x 332	446 x 326	acc. to slid. wind. fix	446 x 326
900 x 450	X		X	X**	X**		948 x 481	902 x 449	R 12	790 x 295	868 x 382	446 x 376	acc. to slid. wind. fix	446 x 376
900 x 500	X	X**	X	X**	X**		948 x 531	902 x 499	R 12	790 x 345	868 x 434	446 x 426	acc. to slid. wind. fix	446 x 426
900 x 550	X		X	X**	X**		948 x 581	902 x 549	R 12	790 x 395	868 x 482	446 x 476	acc. to slid. wind. fix	446 x 476
900 x 600	X		X	X**	X**		948 x 631	902 x 599	R 12	790 x 445	868 x 534	446 x 526	acc. to slid. wind. fix	446 x 526
1000 x 450	X			X**	X**		1048 x 481	1002 x 448	R 12	890 x 295	968 x 382	496 x 376	acc. to slid. wind. fix	
1000 x 500	X		X	X**	X**	E	1048 x 531	1002 x 499	R 12	890 x 345	968 x 434	496 x 426	acc. to slid. wind. fix	496 x 426
1000 x 550	X		X	X**	X**		1048 x 581	1002 x 549	R 12	890 x 395	968 x 482	496 x 476	acc. to slid. wind. fix	496 x 476
1000 x 600	X		X	X**	X**		1048 x 631	1002 x 599	R 12	890 x 445	968 x 534	496 x 526	acc. to slid. wind. fix	496 x 526
1000 x 800	X			X**	X**		1048 x 832	1002 x 800	R 12	890 x 645	968 x 734	496 x 726	acc. to slid. wind. fix	
1050 x 480	E		E		E**		1098 x 511	1052 x 479	R 12	940 x 325	1018 x 412			521 x 406
1100 x 450	X		X	X**	X**		1148 x 481	1103 x 448	R 12	990 x 295	1068 x 382	546 x 376	acc. to slid. wind. fix	546 x 376
1100 x 550	X			X**	X**		1148 x 581	1102 x 549	R 12	990 x 395	1068 x 484			
1100 x 700	X			X**	X**		1148 x 733	1103 x 699	R 12	990 x 545	1068 x 634	546 x 626	acc. to slid. wind. fix	
1200 x 300	X			X**	X**	E	1248 x 330	1201 x 297	R 12	1090 x 145	1168 x 232	596 x 226	acc. to slid. wind. fix	596 x 226
1200 x 350	X			X**	X**	E	1249 x 380	1202 x 347	R 12	1090 x 195	1168 x 282	596 x 276	acc. to slid. wind. fix	596 x 276
1200 x 500	X			X**	X**		1249 x 531	1203 x 500	R 12	1090 x 345	1168 x 434	596 x 426	acc. to slid. wind. fix	596 x 426
1200 x 600	X	X**	X	X**	X**		1249 x 631	1201 x 599	R 12	1090 x 445	1168 x 534	596 x 526	acc. to slid. wind. fix	596 x 526
1200 x 700	X			X**	X**		1249 x 733	1201 x 699	R 12	1090 x 545	1168 x 634	596 x 626	acc. to slid. wind. fix	596 x 626
1200 x 800	X			X**	X**		1249 x 832	1203 x 800	R 12	1090 x 645	1168 x 734	596 x 726	acc. to slid. wind. fix	
1300 x 550	X	X**	X	X**	X**		1343 x 581	1298 x 549	R 12	1190 x 395	1268 x 484	646 x 476	acc. to slid. wind. fix	646 x 476
1300 x 600	X	X**	X	X**	X**		1343 x 631	1297 x 599	R 12	1190 x 445	1268 x 534	646 x 526	acc. to slid. wind. fix	646 x 526
1450 x 550	X			X**	X**		1500 x 581	1453 x 549	R 12	1340 x 395	1418 x 484			
1450 x 600	X	X**	X	X**	X**		1500 x 631	1454 x 599	R 12	1340 x 445	1418 x 534	757 x 526	685 x 526	721 x 526
1450 x 700	X			X**	X**		1500 x 733	1452 x 699	R 12	1340 x 545	1418 x 634	721 x 626	acc. to slid. wind. fix	721 x 626

Technical Drawing S5-window

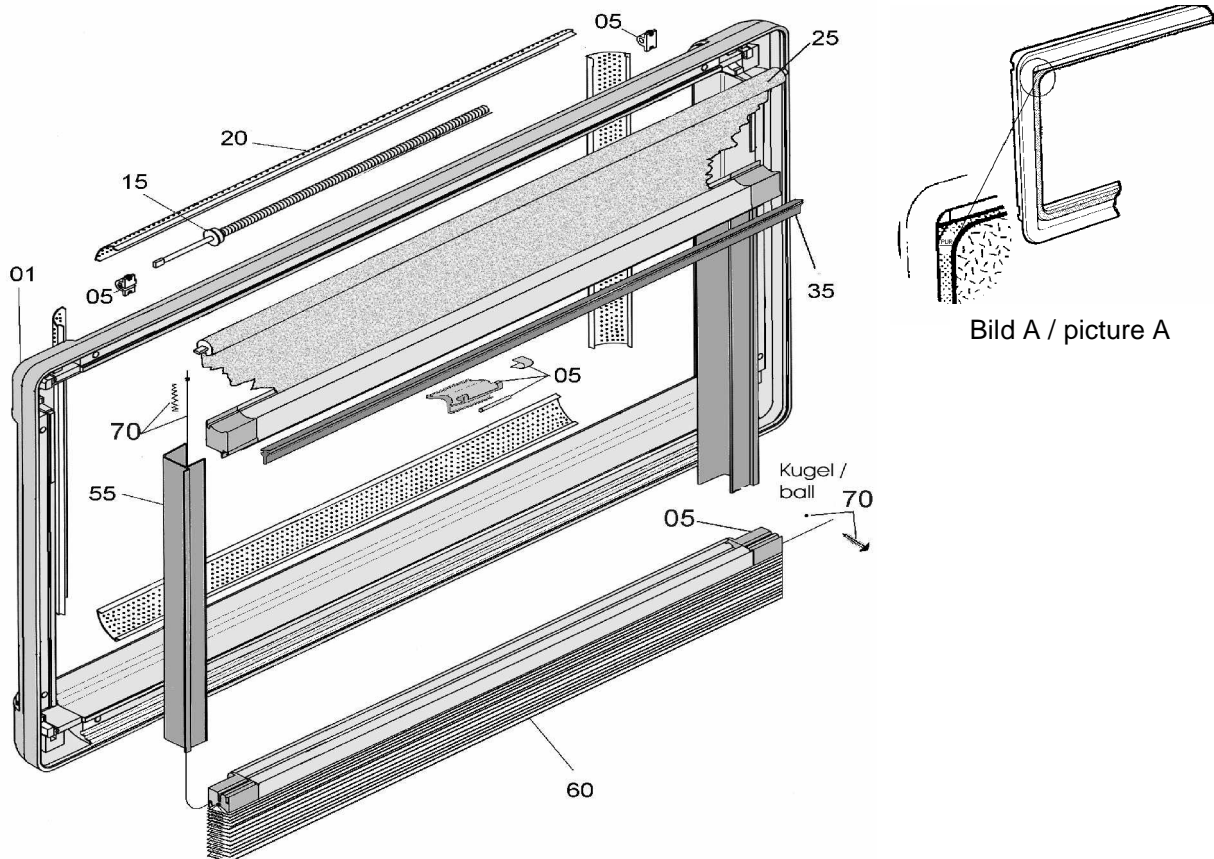


Spare Parts S5-Window*

Interior Frame

	Description	Code	Pack. Unit
01	Interior frame** without assembly set	IRE05...	1
01	Interior frame** incl. assembly set	IRE05...	1
05	S5-window repair set (plastic bracket, plastic plate, end cap, central lock spring, lock, lock pin)	BG 1091	1
15	Spring motor	FM80/82	1
20	Ventilation profile	BG 1047...	1 set
25	Flynet complete	BG 1043	1
35	Guide profile	PP 1006...	1
55	Guide tracks	BG 1145	1 set
60	Blind system complete	BG 1046...	1
70	Repair set of cord mechanism (balls, screw, cord, set of spring)	BG 1090	1 set

Important: When ordering specify - description, quantity, sizes exterior frame (width x height), colour of blind, colour of interior frame, wall thickness.



- * = for manufacturers only
 ** = Interior frame **without PUR-mark** (visible at exterior frame – see picture A)
 for the following sizes only in connection with exterior frame
 1450x600, 1300x600, 1300x500, 1100x550, 900x550, 750x400