



**GASWARNER • GAS DETECTOR  
DÉTECTEUR • TUOTTEEN  
GASDETECTOR • GASOLLARM  
GASSVARSELØ • GASADVARER**

**Modell: 80216**

User's Instruction



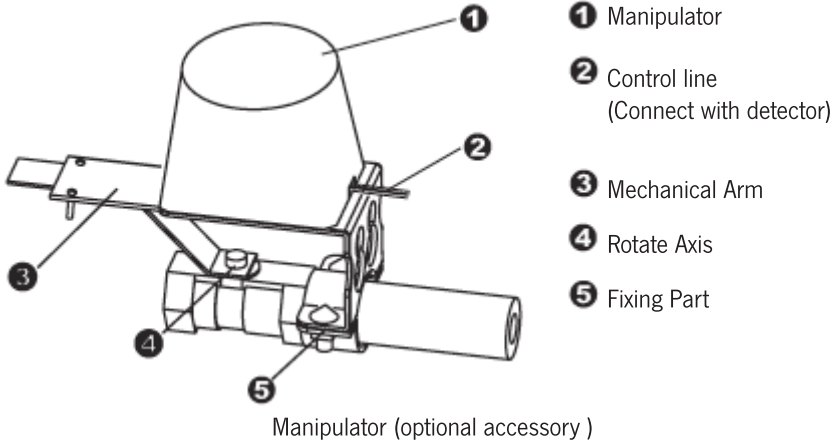
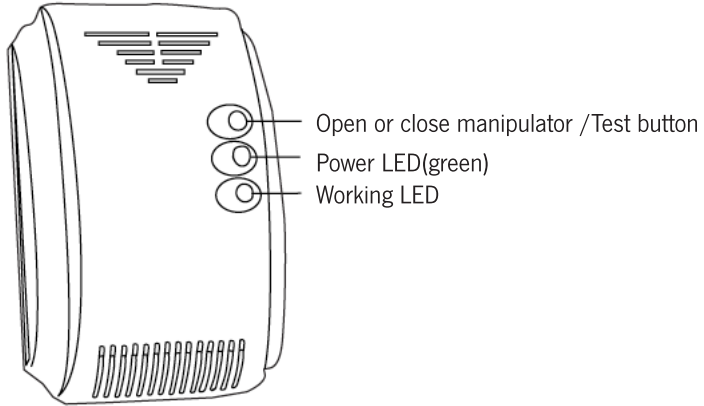


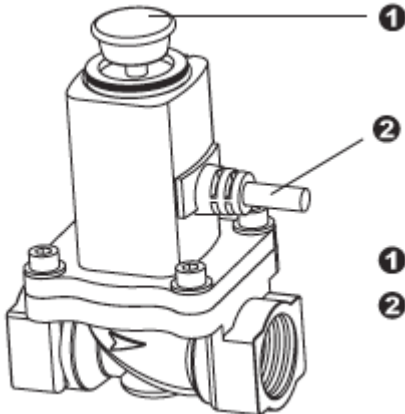
# MANUAL FOR COMBUSTIBLE GAS DETECTOR

## PRODUCT INTRODUCTION

The product is wall mounted gas detector with high stability.(hereinafter called detector) It is used for detecting leaking gas. Advanced semiconductor sensor is adopted to ensure high stability and long life. It is convenient for mounting. The product is suitable for the safety of residential house, villas, hotels, markets, boarding house etc.

## PRODUCT PROFILE





- ① Manual pole
- ② Control line (connect with detector)

Electromagnetism valve (optional accessory)

## MAIN FEATURES

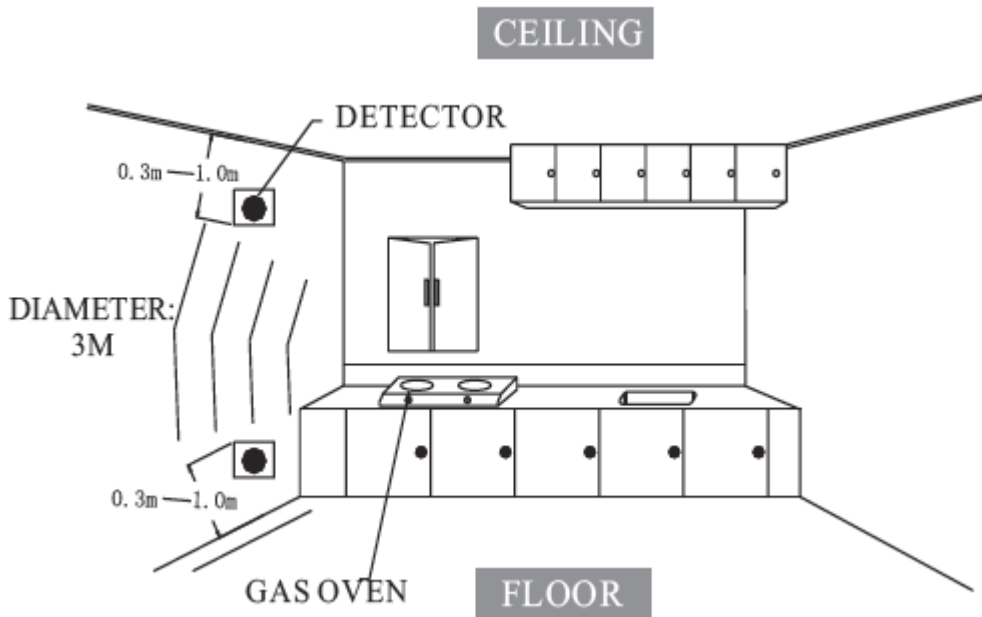
- **HIGH RELIABILITY SENSOR**
- **AUTO RESET AFTER ALARM**
- **MCU PROCESSING ADOPTED**
- **AUTO DETECT SENSOR FAILURE**
- **INDUCED GAS- NATURAL GAS / LPG**
- **SMT DESIGN, HIGH STABILITY**

## TECHNICAL SPECIFICATION

Operating Voltage:	DC9-16V or AC 220V
Static Current:	≤ 90mA
	≤ 30mA(low power consumption type )
Alarm Current:	≤ 100mA
	≤ 40mA(low power consumption type )
Rating Power:	≤ 3W(AC 220V supply)
Warm-up Time:	about 180S
Alarm Level:	10% LEL
Alarm Indicator:	red LED flash
Failure Indicator:	yellow LED on & beeper long- buzz
Sound Level:	≥ 85dB/m
Operating Temperature:	-10°C - +50°C
Environment Humidity:	≤ 95 RH (no congelation)
Installation Mode:	wall mounted
Alarm Output:	relay output/sound & flash alarm
	RF 315MHz or 433MHz (wireless type)
Radio Distance:	100m in open area (wireless type)
Outline Size:	115*72*41mm

## INSTALLATION

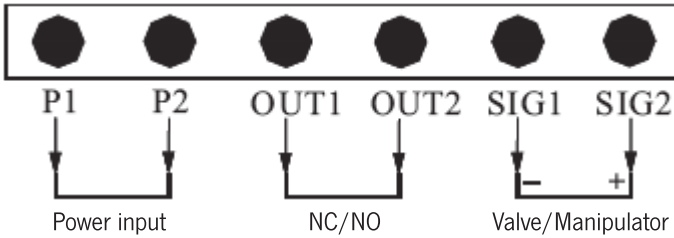
1. Please confirm the induced gas is heavier than air, or lighter than air. The gas is heavier than air: LPG etc. The gas is lighter than air: natural gas, marsh gas and etc.
2. Choosing the suitable position to install the Detector according to the gas specific gravity.  
 Detecting the gas heavier than air: Installation height from floor: 0.3-1.0m, Semi-diameter to gas source: <1.5m;  
 Detecting the gas lighter than air: Installation height from ceiling: 0.3-1.0m, Semi-diameter to gas source: <1.5m.



**CEILING** = [translate word "Ceiling" here]  
**DETECTOR** = [translate word "Detector" here]  
**DIAMETER** = [translate word "Diameter" here]  
**GAS OVEN** = [translate word "Gas oven" here]  
**FLOOR** = [translate word "Floor" here]

3. Fix the screw into the wall firmly, then hang the detector.
4. Avoid installing the detector close to the following sources of interference: direct air flow from vents, fans, doors, windows, sources of steam, oil vapor, etc.
5. All wires installation must accord with the National and Local effective laws and criteria. The wires must have the suitable size and colorful marks for avoiding connecting error. And unsuitable connection of wires will result in the alarm error while gas leaking happened.

## TERMINAL BLOCK FIGURE



**Note: Free polar with power input but not with valve or manipulator**

## OPERATING INSTRUCTION

The Gas Detector can be used independently, or with wired networks output functions.

1. Independently
  - (1) Choosing a suitable position to install the Detector according to the INSTALLATION.
  - (2) With DC 12V or AC 220V power supply, the green LED flashes once a second for about 3 minutes continuously, that runs the inside sensor (warm-up state). After doing that the green LED lights, that means the Detector comes into normal working state.
2. In wired network
  - (1) Choosing a suitable position to install the Detector according to the INSTALLATION. To connect the Detector with the controller, with the N.C. or N.O. contact optional accord with the controller system.
  - (2) With DC 12V or AC 220V power supply, the green LED flashes once a second for about 3 minutes continuously, that runs the inside sensor (warm-up state). After doing that the green LED lights, that means the Detector comes into normal working state.
3. While detecting the gas leaking, the red LED flashes, the Buzzer sends out the alarm sound „Di ... Di“, and output the network signal. If the detector is connected with valve or manipulator, it will drive them to shut off the gas pipeline supply. The Detector will resume to the detecting state after the gas dispersed.
4. Push the button down not more than 3s, the detector will close or open the manipulator. If more than 3s, the detector will have a self - test. If connected with the manipulator, the detector will beep twice 20s after power on and drive the manipulator to close state.
5. The buzzer long beeps and the red LED ON means the inside sensor failure. Please cut off the power, and contact the After Service Center.
6. If the Detector runs disorderly, cut the power off and rerun again. If still in wrong, please contact the After Service Center.



## TEST

To test the installed detector while using independently or in network, you can give some gas around in distance of 5cm to the gas convection holes by using un-ignition lighter. Testing frequently may result in reducing the sensitivity of the Detector. The alarm density of gas is set according with the criteria of GB15322.2-2005. The Detector will stop alarm and resume to the detecting state while the gas density reduced to lower than the alarm level. The alarm output switches can connect with the defense input switches of

## NORMAL MAINTENANCE

Suggestion: the user must brush and clean the gas convection holes with a little cleanser every three months, and must retest the Detector after cleaning for preventing the cleanser into the Detector.

## EMERGENCYALARM TREATMENT

The Detector alarms while the gas density in air exceed the alarm level. The relative treatments as below:

1. Shut down the tube valve right away.
2. Open the window and make the air flow rapidly.
3. Extinguish all fire sources and do not use anything can make fire, e.g. lighters, matches, etc.
4. Avoiding open or close the power all kinds of electric Equipment.
5. Check the reason of gas leaking, and notice the relative departments and professional persons in time.

## LED INFORMATION

<b>RED LED FLASH</b>	<b>= GAS LEAKING</b>
<b>YELLOW LED ON</b>	<b>= SENSOR FAILURE</b>
<b>GREEN LED Flash/ 0.5S on 0.5S off</b>	<b>= WARM-UP INSIDE SENSOR</b>
<b>GREEN LED Flash/ 0.1S on 1S off</b>	<b>= MANIPULATOR IS OPEN</b>
<b>GREEN LED Flash/ 0.1S on 4S off</b>	<b>= NOT CONNECT WITH MANIPULATOR</b>

## NOTICE

1. The detector must be installed and connected correctly. It can not work if without the power supply orderly.
2. Please periodically maintenance according to the directions.
3. The detector must have a test every half a year.
4. For various reasons, including, but not limited to, changes in environmental conditions, electric or electronic disruptions and tampering, the Product may not perform as expected. The user is advised to take all necessary precautions for his/her safety and the protection of his/her property.

